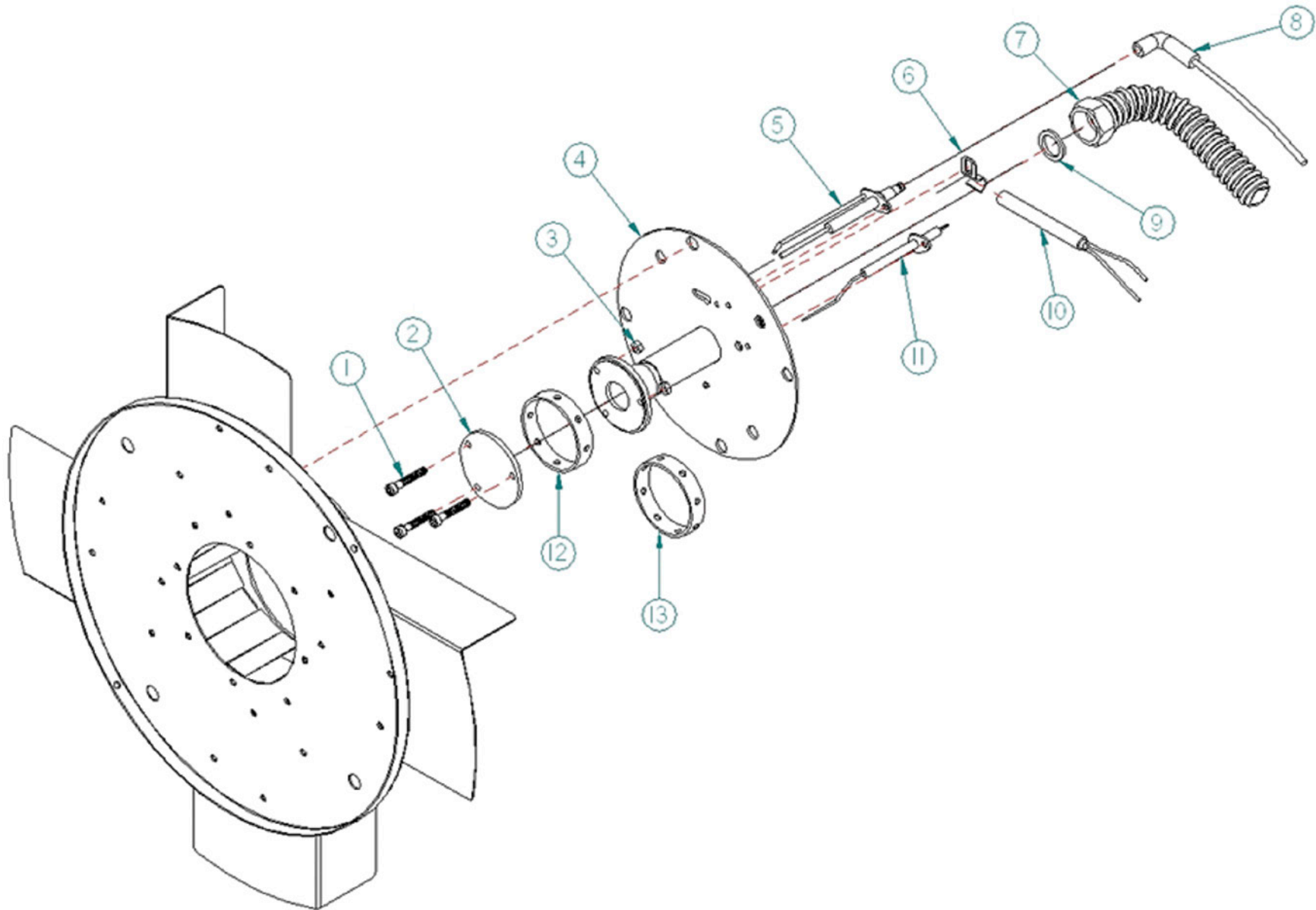
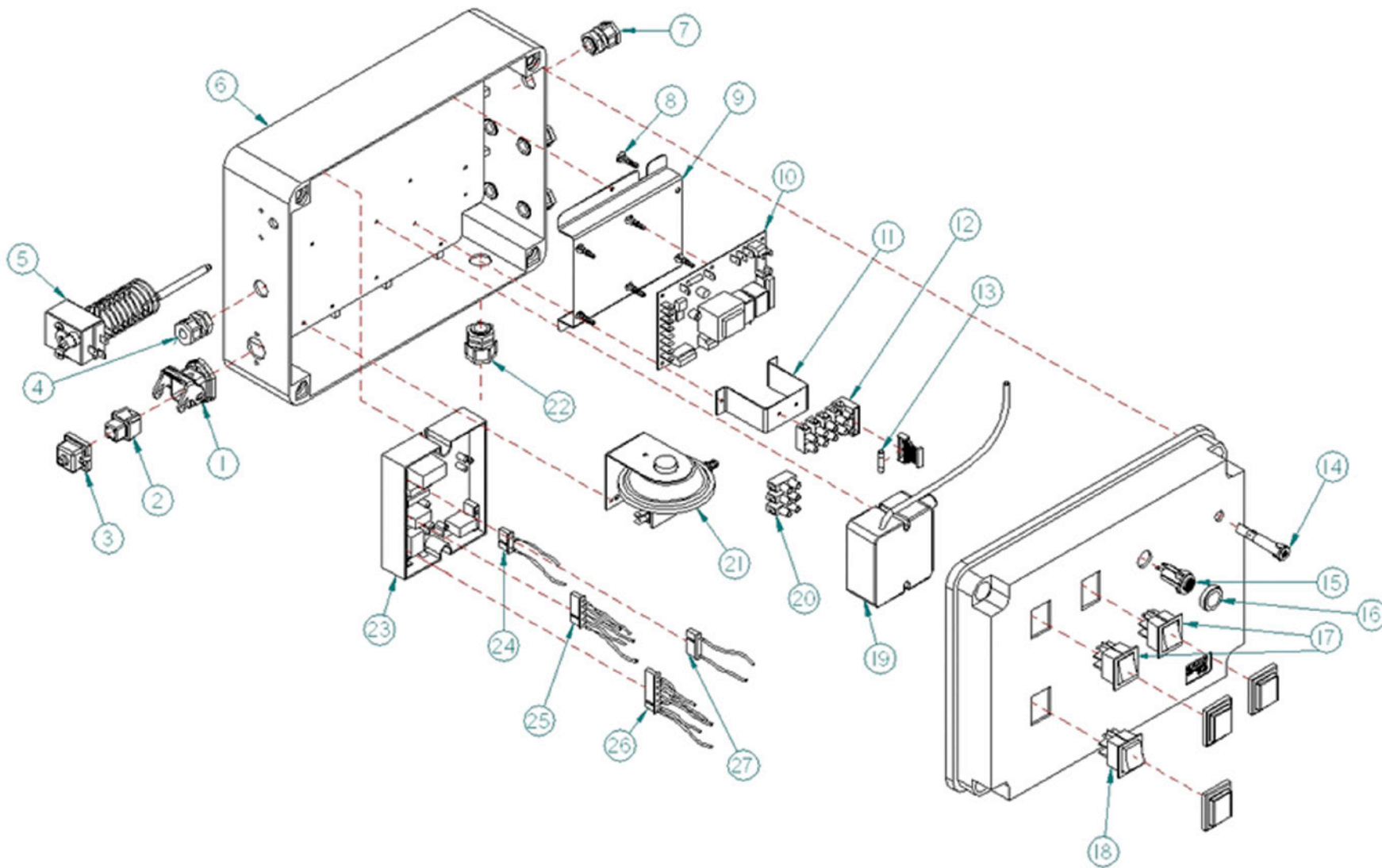


POSITION	CODE	DESCRIPTION
GA125LP		
1	20090012	COMBUSTION CHAMBER
2	20621092	UPPER COVER
3	20622036	INSPECTION COVER
4	20621103	BRACKET LIFT
5	20230125	BRACKET
6	20200057	FAN
7	20490029	CAPACITOR
8	20400074	MOTOR
9	20620645	COMBUSTION CHAMBER
10	20240034	REAR GRID
11-13	20020005	RUBBER RING
12	20020006	RUBBER RING
14	20460001	PRESSURE SWITCH SOCKET
15	20020029	CABLE CLAMP
16	20160015	GAS HOSE
17	20020037	GASKET
18	20120093	NIPPLE
19	20621118	DIAPHRAGM
20	20140014	FLANGE
21	20140013	GAS TRAIN
22	20430025	CONNECTOR+CABLE SET
23	20120081	FITTING
24	20430026	CONNECTOR
25	20460005	PRESSURE SWITCH



POSITION	CODE	DESCRIPTION
BURNER (TAV.02)		
1	20230064	SCREW
2	20621107	BURNER BOTTOM
3	20230126	NUT
4	20610124	BURNER
5	20300012	IGNITION ELECTRODE
6	20230237	FIXING CLIP
7	20160015	GAS HOSE
8	20390250	CABLE
9	20020037	GASKET
10	20070010	HEATING ELEMENT
11	20300013	FLAME SENSOR
12	20621111	BURNER RING
13	20621112	BURNER RING



POSITION	CODE	DESCRIPTION
ELECTRICAL CONTROL BOX (TAV.03)		
1	20430002	THERMOSTAT SOCKET CAS.
2	20430000	THERMOSTAT SOCKET
3	20070022	THERM. SOCKET CAP
4 - 7	20310002	CABLE CLAMP
5	20360005	SAFETY THERMOSTAT
6	20480000	ELECTRICAL BOX
8	20010090	SPACER
9	20621099	ELECTRONIC CARD BRACKET
10	20470030	ELECTRONIC CARD
11	20620243	TERMINAL BOARD BRACKET
12	20340008	FUSE CARRIER
13	20350014	FUSE
14	20410002	GREEN PILOT LAMP
15	20320006	RESET BUTTON
16	20020012	RESET BUTTON CAP
17	20320004	SWITCH
18	20320003	SWITCH
19	20330009	TRANSFORMER
20	20340000	TERMINAL BOARD
21	20460004	PRESSURE SWITCH
22	20310009	CABLE CLAMP
23	20470029	BURNER CONTROL UNIT
24	20430025	CABLE SET 3WAY + CONNECT.
25	20390095	CABLE SET 5WAY
26	20390329	CABLE SET 7WAY
27	20390328	CABLE SET 4WAY
-	20480018	COMPLETE ELECTRICAL BOX