

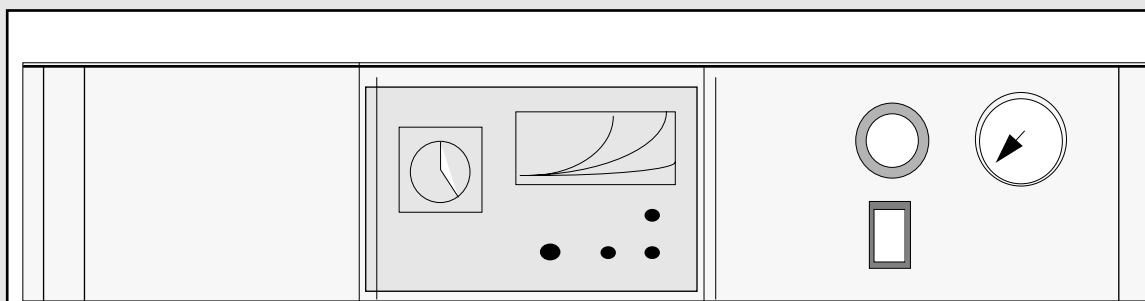
VAILLANT SPARE PART CATALOGUE

FREE STANDING GAS BOILERS

VKS 35 E - 93 E

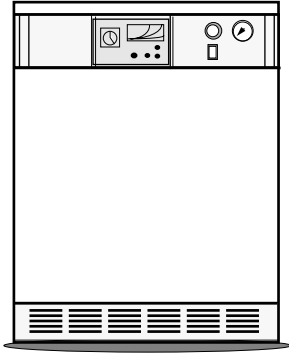
VKS 35/1 E - 93/1 E

VK 35/1 - 93/1 E

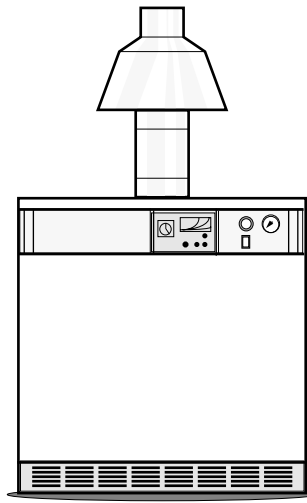


8025 90 GB 09/96

View of appliances



VKS 35 E, 41 E
 VKS 35/1 E, 41/1 E, 48/1 E
 VK 35/1 E, 41/1 E, 48/1 E

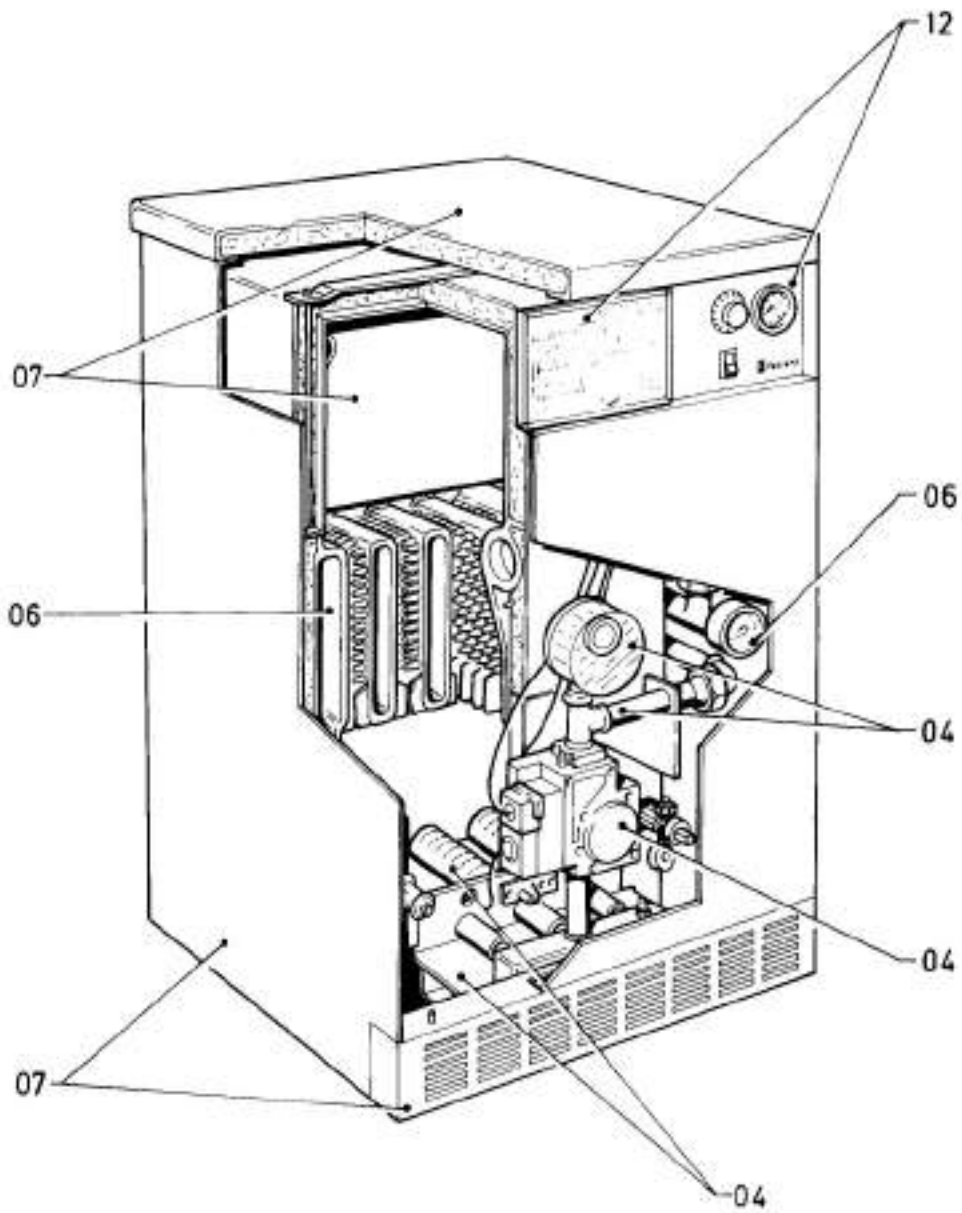


VKS 47 E, 58 E, 76 E, 93 E
 VKS 47/1 E, 58/1 E, 76/1 E, 93/1 E
 VK 58/1 E, 76/1 E, 93/1 E

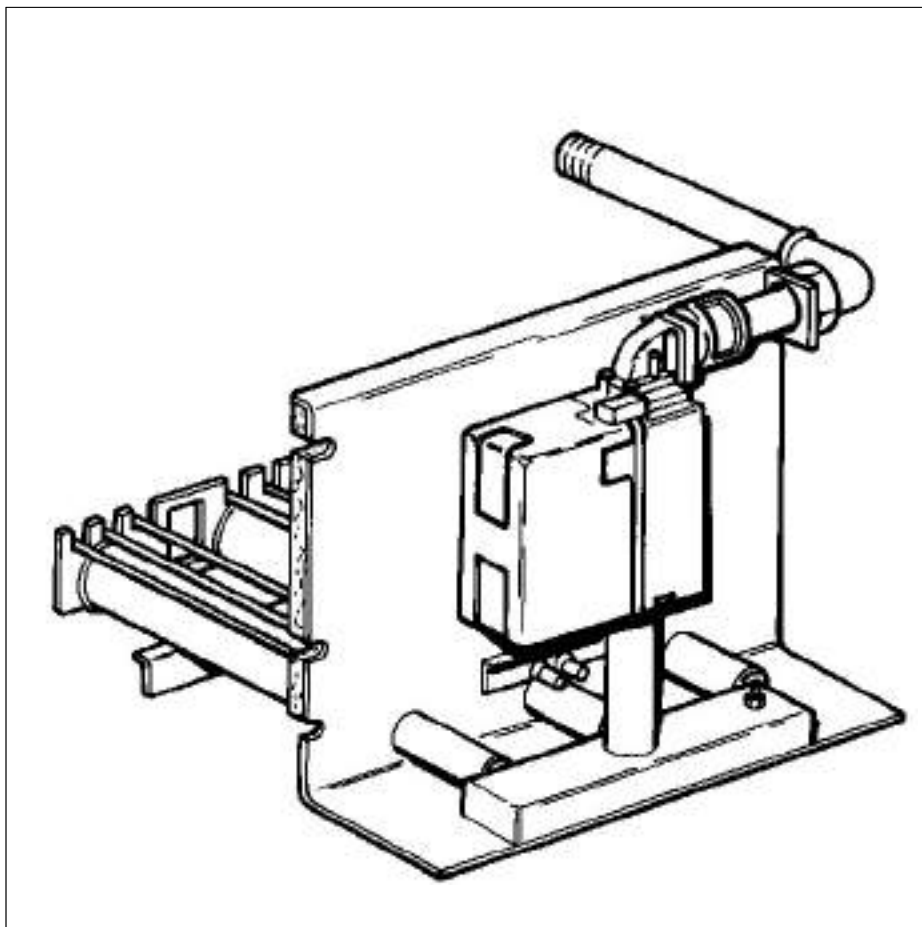
Content

	Page
General view sheet	2
Main component 04 Burner and gas section	3 - 15
Main component 06 Boiler section	17 - 23
Main component 07 Casing	25 - 39
Main component 10 Flue gas sensor	41 - 43
Main component 12 Control panel	45 - 53

General view sheet



Main component 04

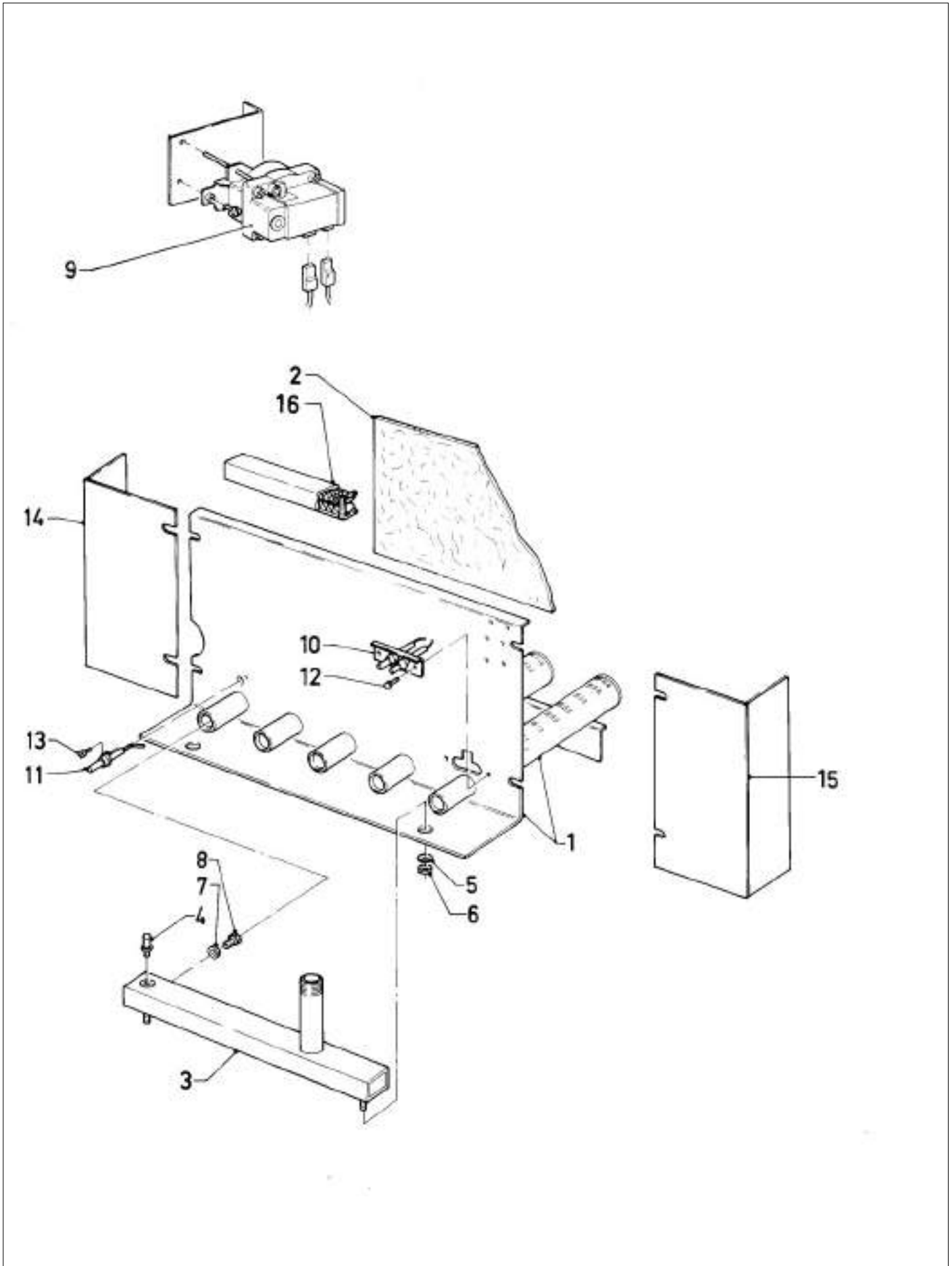


	Page
Burner	
VKS 35 E - 93 E	
VKS 35/1 E/EU - 93/1 E/EU	
VK 35/1 E/EU - 93/1 E/EU	4 - 5
Gas supply connection	
VKS 35 E, 41 E	6 - 7
Gas supply connection	
VKS 47 E - 93 E	8 - 9
Gas supply connection	
VKS 35/1 E, 41/1 E, 47/1 E, 48/1 E	
VK 35/1 E, 41/1 E, 48/1 E	10 - 11
Gas supply connection	
VKS 58/1 E - 93/1 E	
VK 58/1 E - 93/1 E	12 - 13
Gas section	
VKS 35 E - 93 E	
VKS 35/1 E/EU - 93/1 E/EU	
VK 35/1 E/EU - 93/1 E/EU	14 - 15

Main component 04 Burner

VKS 35 E - 93 E

VKS 35/1 E/EU - 93/1 E/EU ,VK 35/1 E/EU - 93/1 E/EU

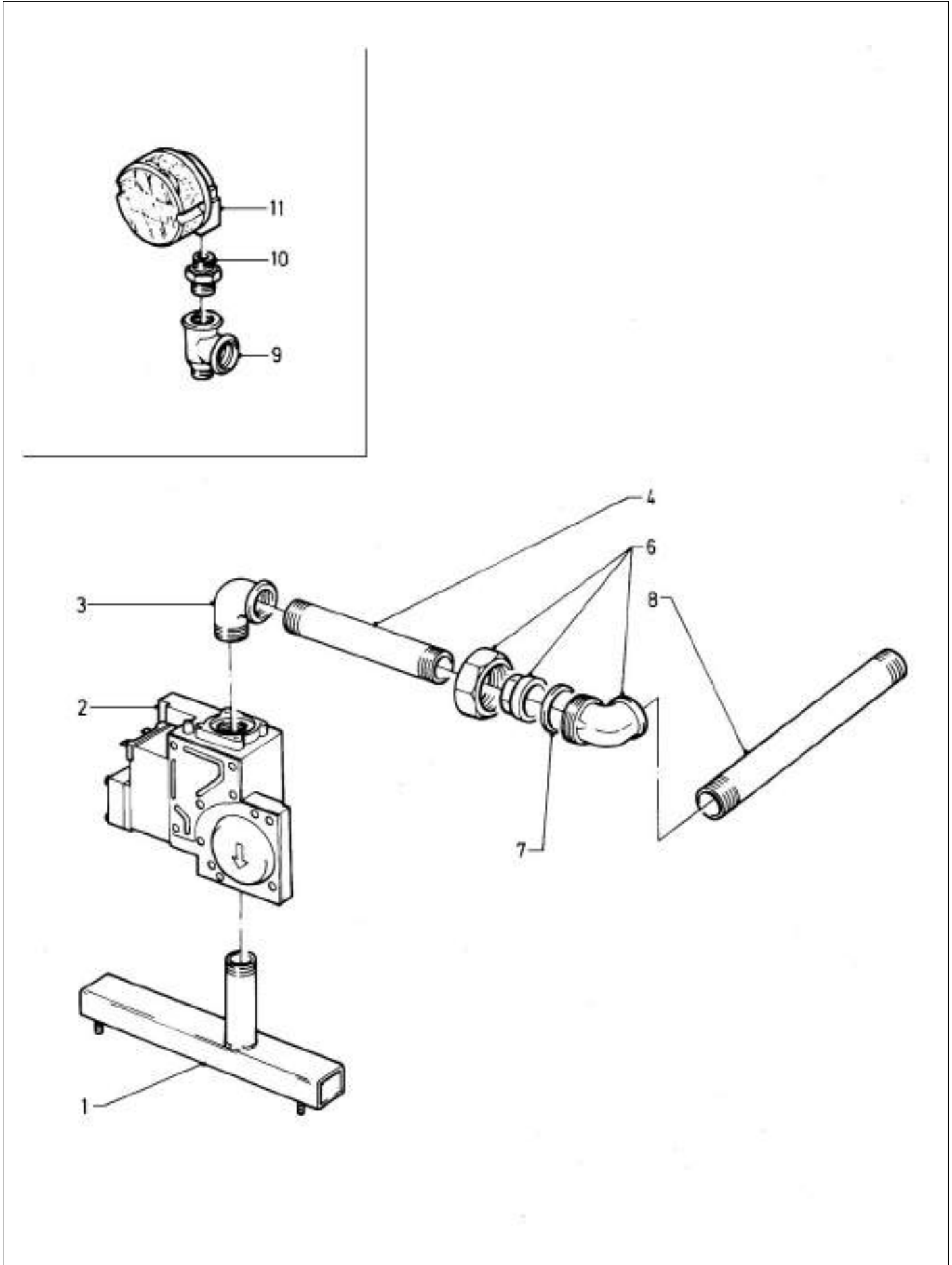


Main component 04 Burner
VKS 35 E - 93 E
VKS 35/1 E/EU - 93/1 E/EU , VK 35/1 E/EU - 93/1 E/EU

Pict. No.	Article-No.	Part	Indic.	Type, Remarks
1	04-1294 04-1295 04-1296 04-1297 04-1298 04-1299	burner burner burner burner burner burner		VKS-VK 35 E, 35/1 E VKS-VK 41 E, 41/1 E VKS-VK 47 E, 47/1 E, 48/1 E VKS-VK 58 E, 58/1 E VKS-VK 76 E, 76/1 E VKS-VK 93 E, 93/1 E } with part 2
2	07-6604 99-0249	insulation adhesive (1 kg)		for insulation (not shown)
3	-	gas supply connections		see page 6 onwards
4	04-0248	test nipple		
5	07-0027	washer		
6	11-4848	nut		
7	98-0424	packingring		
8	24-0515 24-0580 24-0609 24-0577 24-0634 24-0571 24-0634	burner nozzle (D 2,80) burner nozzle (D 2,70) burner nozzle (D 2,50) burner nozzle (D 2,60) burner nozzle (D 1,55) burner nozzle (D 1,50) burner nozzle (D 1,55)		VKS-VK 35 E, 35/1 E H VKS-VK 41 E, 41/1 E H VKS-VK 47 E, 47/1 E, 48/1 E H VKS-VK 58 E - 93 E, 58/1 E - 93/1 E H VKS-VK 35 E, 35/1 E B VKS-VK 41 E, 41/1 E, 47 E, 47/1 E, 48/1 E B VKS-VK 58 E, 58/1 E, 76 E, 76/1 E, 93 E, 93/1 E B
9	10-0334	temperature limiter		spare parts see main component 10 page 42 onwards
10	09-0671	ignition electrode		
11	09-0686	control electrode		
12	13-0005	screw		
13	11-9104	screw		
14	45-8225 45-5439	cover plate cover plate		VKS-VK 35 E, 35/1 E, 41 E, 41/1 E, 48/1 E VKS-VK 47 E, 47/1 E, 58 E, 58/1 E, 76 E, 76/1 E, 93 E, 93/1 E
15	45-8225 07-0430	cover plate cover plate		VKS-VK 35 E, 35/1 E, 41 E, 41/1 E, 48/1 E VKS-VK 47 E, 47/1 E, 58 E, 58/1 E, 76 E, 76/1 E, 93 E, 93/1 E
16	29-9825 29-9826 29-9827 29-9828 29-9829 29-9830	sealing profile sealing profile sealing profile sealing profile sealing profile sealing profile		VKS-VK 35 E, 35/1 E VKS-VK 41 E, 41/1 E VKS-VK 47 E, 47/1 E, 48/1 E VKS-VK 58 E, 58/1 E VKS-VK 76 E, 76/1 E VKS-VK 93 E, 93/1 E

H = Natural Gas
B = LP Gas

Main component 04 Gas supply connection
VKS 35 E, 41 E

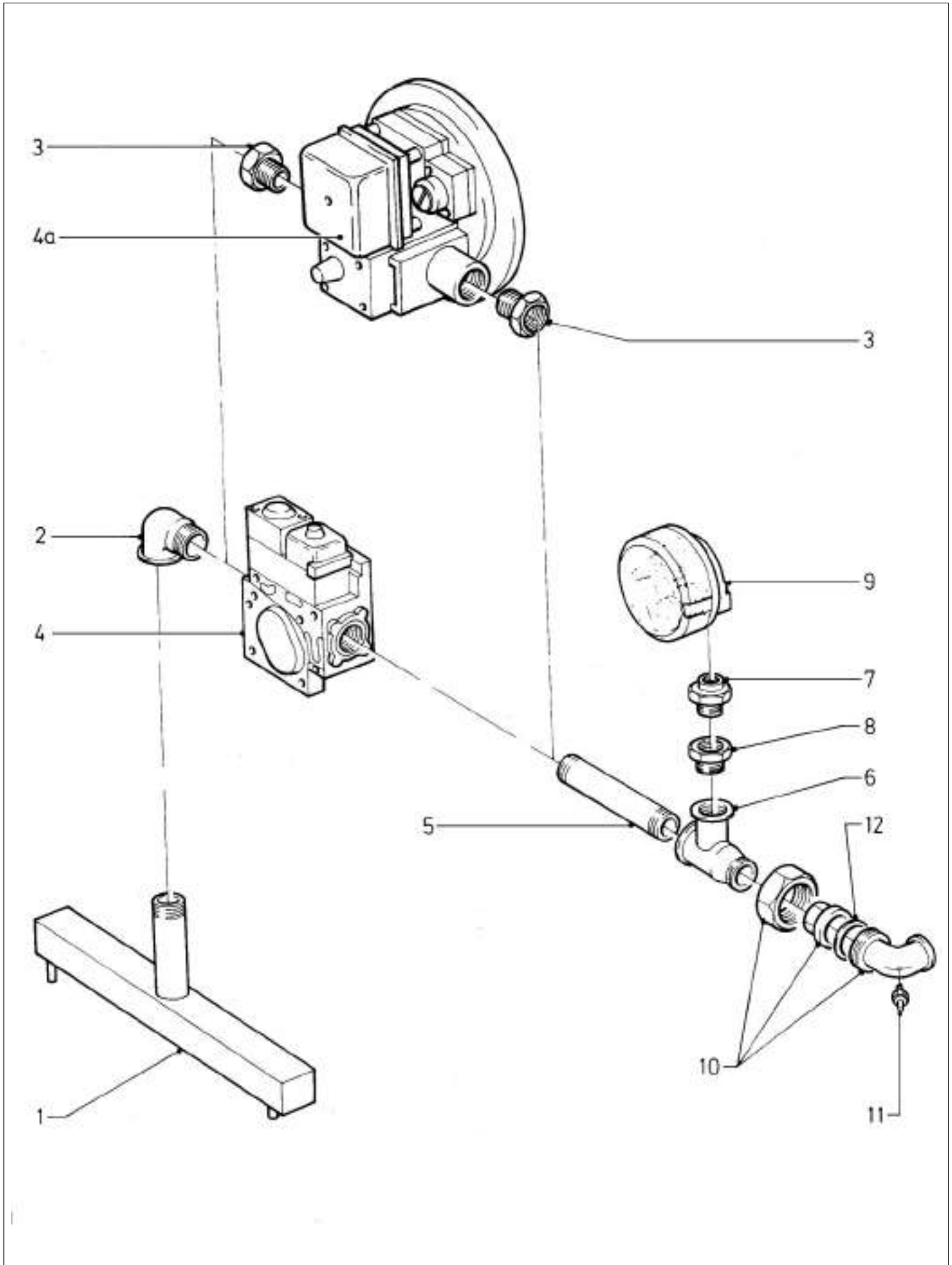


Main component 04 Gas supply connection VKS 35 E, 41 E

Pict. No.	Article-No.	Part	Indic.	Type, Remarks
1	45-8312 45-8313	distributor tube (R 3/4) distributor tube (R 3/4)		VKS 35 E VKS 41 E
2	05-1050	gas section (Rp 3/4)		spare parts see page 14 onwards Note: The gas section is equipped for natural gas H. In case of LP-gas please replace the gas pressure governor from the old gas section, or order a new one (see page 14 onwards).
3	16-3392	elbow (R 3/4)		
4	19-1121 19-1122	pipe (R 3/4x150) pipe (R 3/4x230)		VKS 35 E VKS 41 E
6	08-5121	elbow fitting (R 3/4)		
7	98-0125	packingring		
8	19-0988	pipe (R 3/4x475)		
9	45-8314	t-piece (R 3/4)		
10	45-8315	double-nipple (R 3/4 x R 1/4)		
11	05-0507	gas pressure monitor		

H = Natural Gas
B = LP Gas

Main component 04 Gas supply connection
VKS 47 E - 93 E



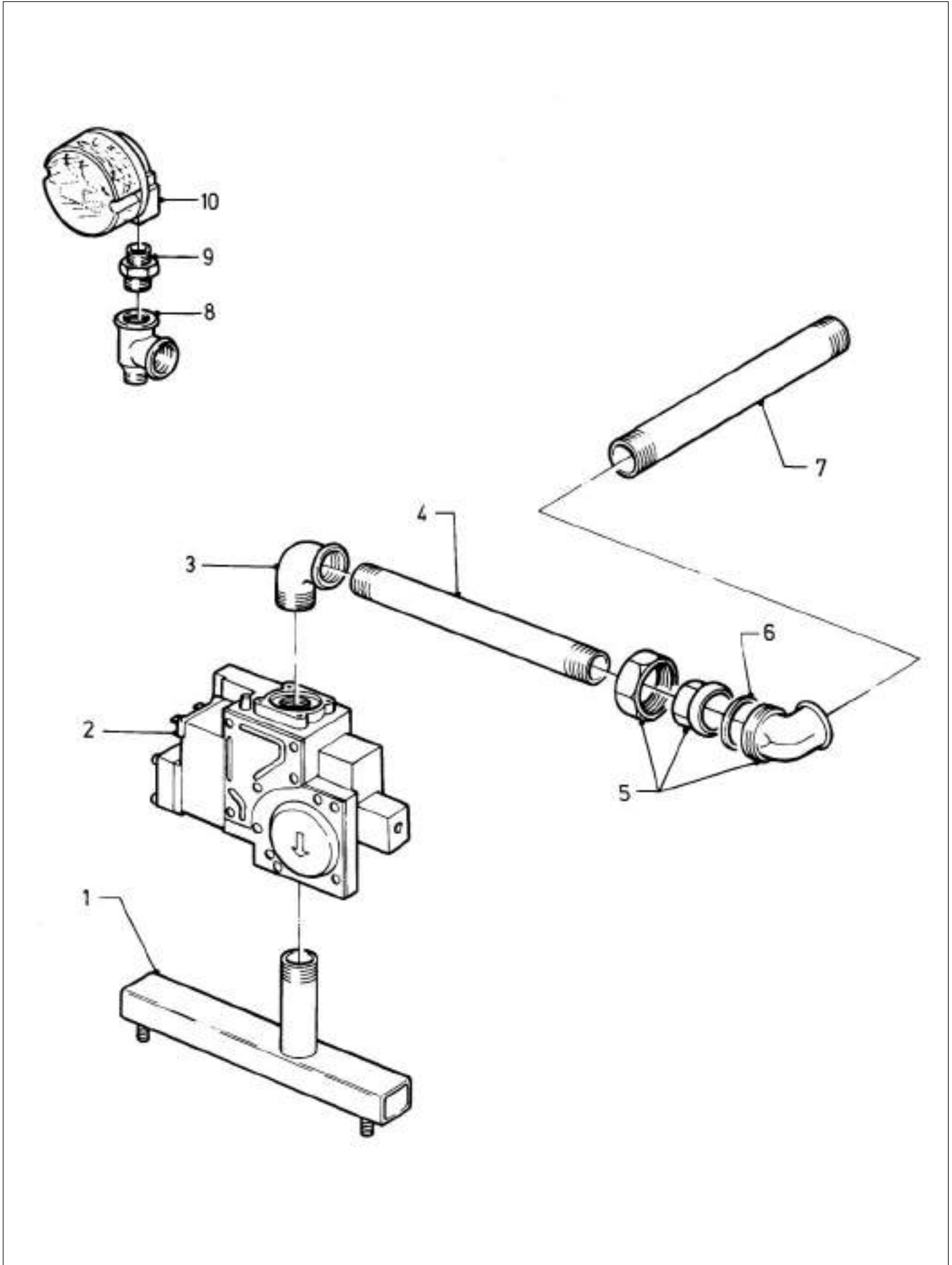
Main component 04 Gas supply connection

VKS 47 E - 93 E

Pict. No.	Article-No.	Part	Indic.	Type, Remarks
1	45-8319 18-3889 18-3890 45-8320	distributor tube (R 3/4) distributor tube (R 3/4) distributor tube (R 3/4) distributor tube (R 1)		VKS 47 E VKS 58 E VKS 76 E VKS 93 E
2	16-3392 16-3398	elbow (R 3/4) elbow (R 1)		VKS 47 E - 76 E VKS 93 E
3	49-1858	reducing fitting (Rp 3/4 x R 1)		VKS 76 E
4	05-1050	gas section (Rp 3/4)		VKS 47 E, 58 E (spare parts see page 14 onwards)
4a	05-1039	gas section (Rp 1)		VKS 76 E, 93 E (spare parts see page 14 onwards)
				Note: The gas sections are equipped for natural gas H. In case of LP-gas please replace the gas pressure governor from the old gas section, or order a new one (see page 14 onwards).
5	49-2418 49-2404 49-2419	pipe (R 3/4x130) pipe (R 3/4x146) pipe (R 1 x 50)		VKS 47 E, 58 E VKS 76 E VKS 93 E
6	45-8314 45-8318	t-piece (R 3/4) t-piece (R 1)		VKS 47 E - 76 E VKS 93 E
7	45-8315	double-nipple (R 3/4 x R 1/4)		
8	49-1858	reducing piece (Rp 3/4 x R 1)		VKS 93 E
9	05-0507	gas pressure monitor		
10	08-5113 08-5114	elbow fitting (R 3/4) elbow fitting (R 1)		VKS 47 E - 76 E } VKS 93 E } with parts 11, 12
11	04-0248	test nipple		
12	98-0125 98-0350	packingring packingring		VKS 47 E - 76 E VKS 93 E

H = Natural Gas
B = LP Gas

Main component 04 Gas supply connection
VKS 35/1 E, 41/1 E, 47/1 E, 48/1 E
VK 35/1 E, 41/1 E, 48/1 E

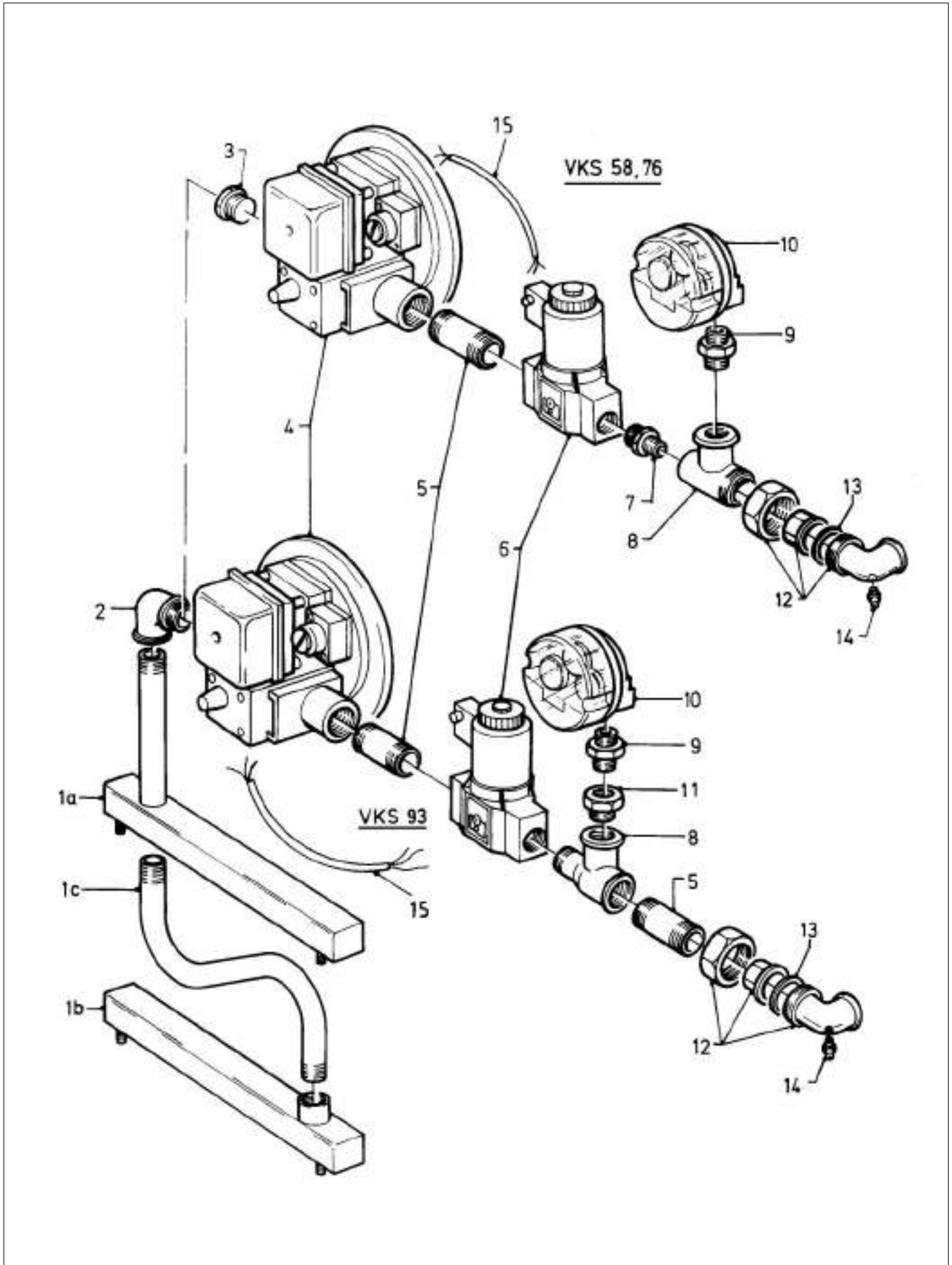


Main component 04 Gas supply connection
VKS 35/1 E, 41/1 E, 47/1 E, 48/1 E
VK 35/1 E, 41/1 E, 48/1 E

Pict. No.	Article-No.	Part	Indic.	Type, Remarks
1	45-8312 45-8313 45-8319 46-1303	distributor tube (R 3/4) distributor tube (R 3/4) distributor tube (R 3/4) distributor tube (R 3/4)		VKS-VK 35/1 E VKS-VK 41/1 E VKS 47/1 E VKS-VK 48/1 E
2	05-1050	gas section (Rp 3/4)		spare parts see page 14 onwards Note: The gas section is equipped for natural gas H. In case of LP-gas please replace the gas pressure governor from the old gas section, or order a new one (see page 14 onwards).
3	16-3392	elbow (R 3/4)		
4	19-1121 19-1122 49-2418	pipe (R 3/4x150) pipe (R 3/4x230) pipe (R 3/4x130)		VKS-VK 35/1 E, 48/1 E VKS-VK 41/1 E VKS 47/1 E
5	08-5121	elbow fitting (R 3/4)		with part 6
6	98-0125	packingring		
7	19-0988	pipe (R 3/4x475)		VKS-VK 35/1 E, 41/1 E, 48/1 E
8	45-8314	t-piece (R 3/4)		VKS-VK 47/1 E, 48/1 E
9	45-8315	double-nipple (R 3/4 x R 1/4)		VKS-VK 47/1 E, 48/1 E
10	05-0507	gas pressure monitor		VKS-VK 47/1 E, 48/1 E

H = Natural Gas
B = LP Gas

Main component 04 Gas supply connection
VKS 58/1 E - 93/1 E
VK 58/1 E - 93/1 E



Main component 04 Gas supply connection

VKS 58/1 E - 93/1 E

VK 58/1 E - 93/1 E

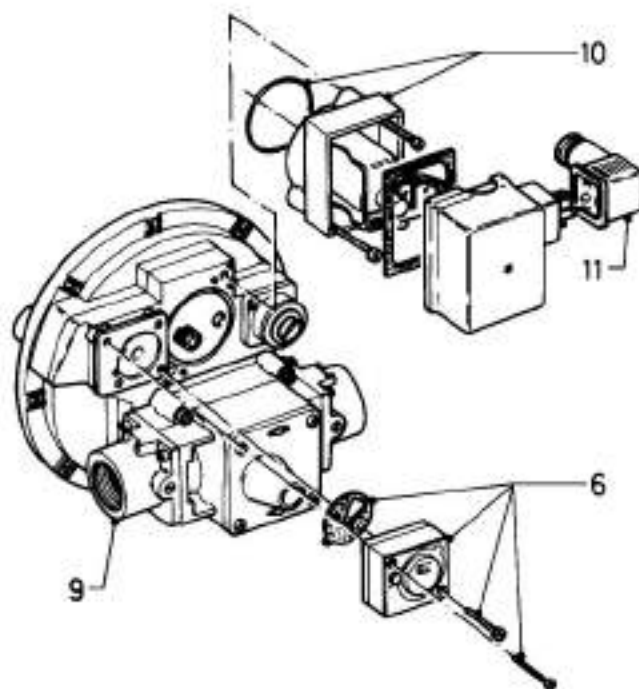
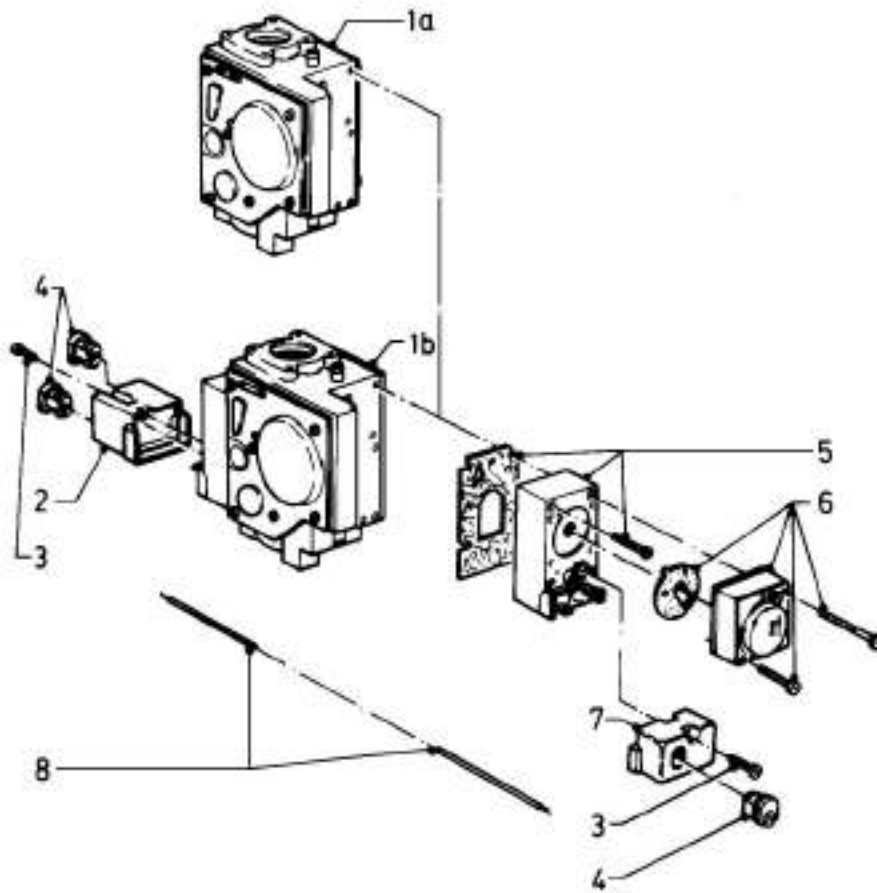
Pict. No.	Article-No.	Part	Indic.	Type, Remarks
1a	46-0992 46-0993 -	distributor tube (R 3/4) distributor tube (R 3/4)		VKS-VK 58/1 E VKS-VK 76/1 E VKS-VK 93/1 E (replaced by part 1b/c)
1b	18-3828	distributor tube (Rp 1)		VKS-VK 93/1 E (with part 1c)
1c	46-1424	s-pipe (R 1)		only for VKS-VK 93/1 E
2	16-3392 16-3398	elbow (R 3/4) elbow (R 1)		VKS-VK 58/1 E, 76/1 E VKS-VK 93/1 E
3	49-1858	reducing piece (Rp 3/4 x R 1)		only for VKS-VK 58/1 E, 76/1 E
4	05-1039	gas section (Rp 1)		spare parts see page 14 onwards Note: The gas section is equipped for natural gas H. In case of LP-gas please replace the gas pressure governor from the old gas section, or order a new one (see page 14 onwards).
5	49-2419	pipe (R 1 x 50)		
6	11-1062 17-0280	magnetic valve (Rp 1) magneto		for magnetic valve
7	49-2506	double-nipple (R 1 x R 3/4)		
8	45-8314 45-8318	t-piece (R 3/4) t-piece (R 1)		VKS-VK 58/1 E, 76/1 E VKS-VK 93/1 E
9	45-8315	double-nipple (R 3/4 x R 1/4)		
10	05-0507	gas pressure monitor		
11	49-1858	reducing fitting (Rp 3/4 x R 1)		only for VKS-VK 93/1 E
12	08-5113 08-5114	elbow fitting (R 3/4) elbow fitting (R 1)		VKS-VK 58/1 E, 76/1 E (with parts 13,14) VKS-VK 93/1 E (with parts 13,14)
13	98-0125 98-0350	packingring packingring		VKS-VK 58/1 E, 76/1 E VKS-VK 93/1 E
14	04-0248	test nipple		
15	08-9568	connection line		

H = Natural Gas
B = LP Gas

Main component 04 Gas section

VKS 35 E - 93 E

VKS 35/1 E/EU - 93/1 E/EU, VK 35/1 E/EU - 93/1 E/EU



03-05-001

Main component 04 Gas section

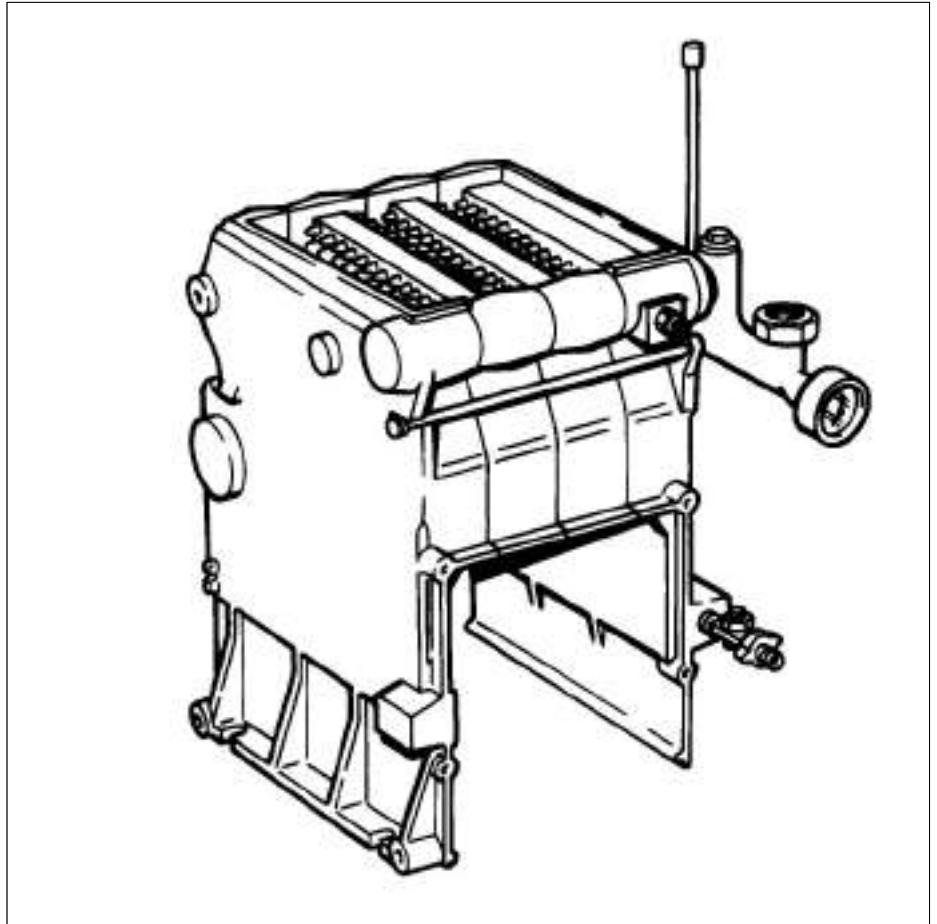
VKS 35 E - 93 E

VKS 35/1 E/EU - 93/1 E/EU, VK 35/1 E/EU - 93/1 E/EU

Pict. No.	Article-No.	Part	Indic.	Type, Remarks
				<p>Note: The gas sections are equipped for natural gas H. In case of LP-gas please replace the gas pressure governor from the old gas section, or order a new one.</p>
1a	-	gas section (Rp 3/4)		no longer available, replaced by part 1b
1b	05-1050	gas section (Rp 3/4)		VKS 35 E, 41 E, 47 E, 58 E VKS 35/1 E, 41/1 E, 47/1 E, 48/1 E VK 35/1 E, 41/1 E, 48/1 E } with parts 2 - 8
2	20-4085	protection cover		
3	49-2373	screw		
4	45-4373	cable grommet		
5	11-1058	operator		
6	05-0159	gas pressure governor (H)		
	05-0158	gas pressure governor (B)		
7	20-4086	protection cover		
8	08-9406	connection line		
9	05-1039	gas section (Rp 1)		VKS 76 E, 93 E VKS-VK 58/1 E, 76/1 E, 93/1 E } with parts 6, 10, 11
10	17-0316	magneto		
11	25-2779	plug		with part 14

<p>H = Natural Gas B = LP Gas</p>

Main component 06



Boiler section

VKS 35 E, 41 E

Page

18 - 19

Boiler section

VKS 35/1 E, 41/1 E, 48/1 E

VK 35/1 E, 41/1 E, 48/1 E

20 - 21

Boiler section

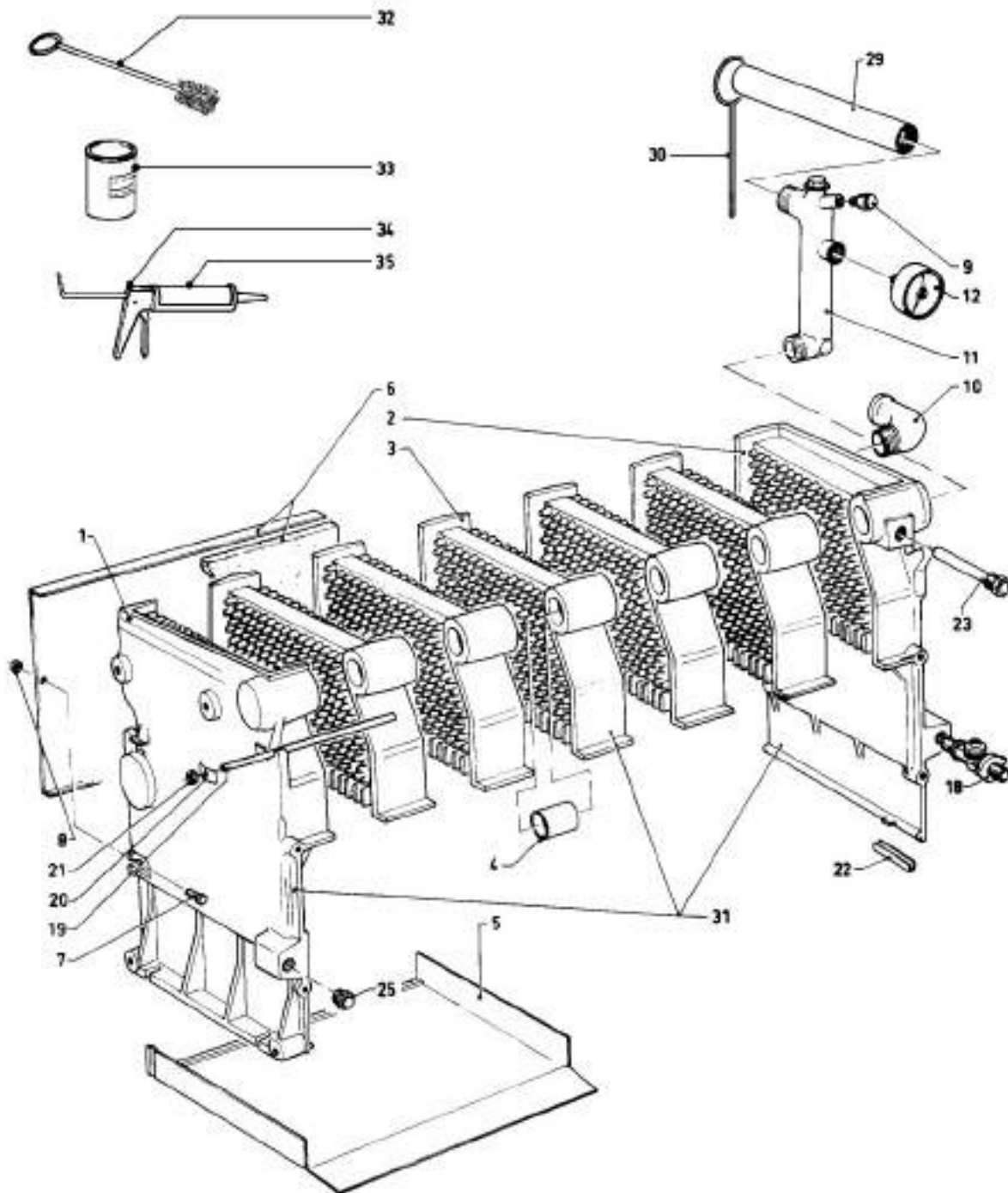
VKS 47 E, 58 E, 76 E, 93 E

VKS 47/1 E, 58/1 E, 76/1 E, 93/1 E

VK 58/1 E, 76/1 E, 93/1 E

22 - 23

Main component 06 Boiler section
VKS 35 E, 41 E



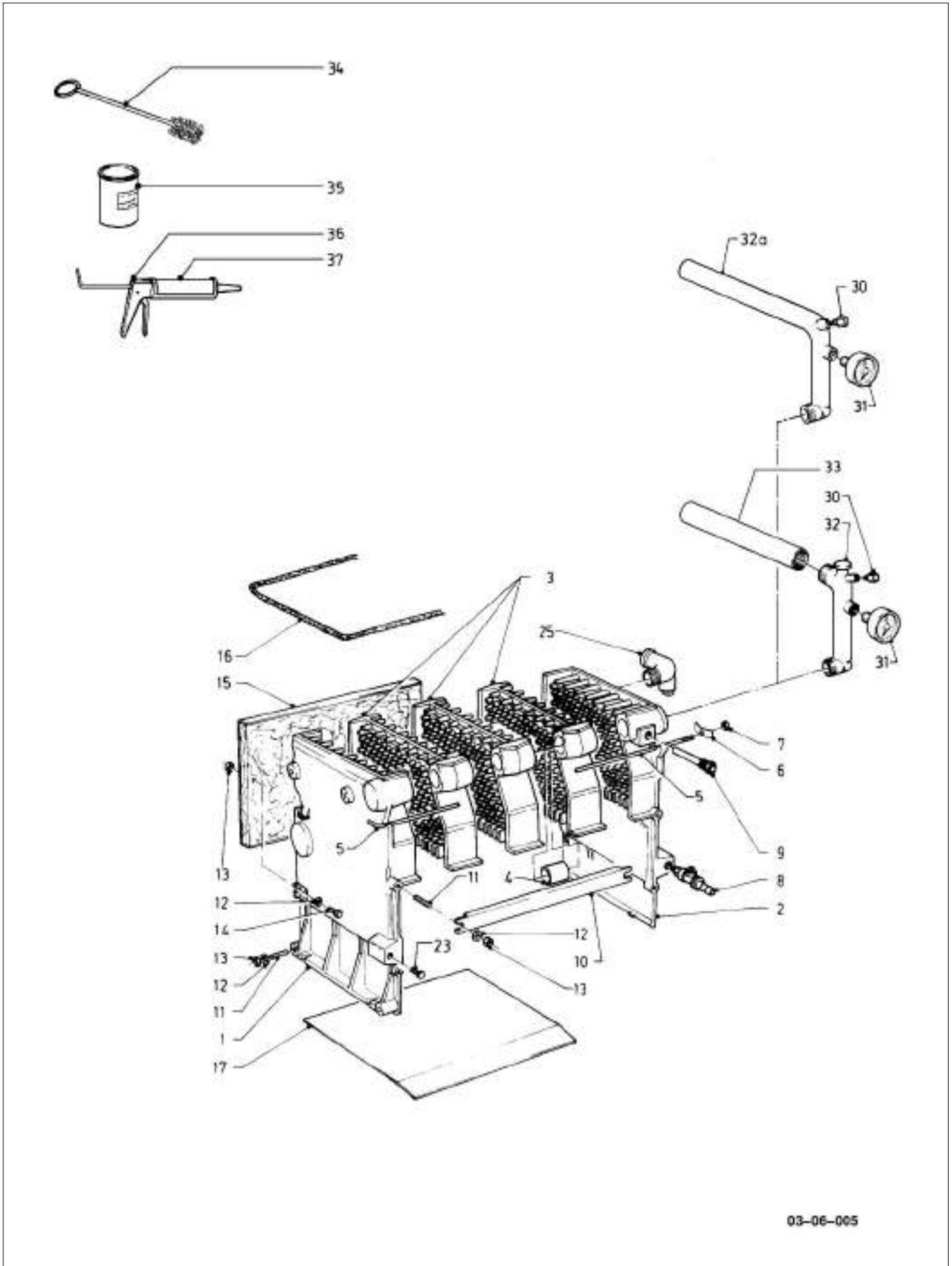
03-06-004

Main component 06 Boiler section VKS 35 E, 41 E

Pict. No.	Article-No.	Part	Indic.	Type, Remarks
1	06-2437	end section, left-hand		
2	06-2438	end section, right-hand		
3	06-2439	middle section		
4	06-1523	connection nipple		
5	07-9214	collecting tray		VKS 35 E
	07-9215	collecting tray		VKS 41 E
6	21-3351	burner plate		VKS 35 E
	21-3352	burner plate		VKS 41 E
7	07-0028	retaining bolt		
8	11-4848	nut		
9	06-0051	de-aeration valve (R 1/8)		
10	45-6166	elbow		
11	18-3902	connection		with part 9
12	10-1252	manometer		
18	08-2218	drain cock		
19	06-2209	tie rod		VKS 35 E
	06-2210	tie rod		VKS 41 E
20	28-0716	spring-washer		} with parts 20, 21
21	11-4892	nut		
22	07-1922	boiler foot		
23	06-0058	protective housing		
25	45-4699	drain screw		
29	45-5758	pipe (Rp 1x295)		
30	45-5756	support screw		
31	06-1937	boiler section,cpl.		VKS 35 E
	06-1938	boiler section,cpl.		VKS 41 E
				} with parts 1-4, 10, 18-23, 25
32	99-0230	brush for gas boiler		
33	99-0203	sealant (500 g)		
34	99-0206	sealant applicator		
35	99-0324	sealing cement		600-g-cartridge

H = Natural Gas
B = LP Gas

Main component 06 Boiler section
VKS 35/1 E, 41/1 E, 48/1 E
VK 35/1 E, 41/1 E, 48/1 E



03-06-005

Main component 06 Boiler section

VKS 35/1 E, 41/1 E, 48/1 E

VK 35/1 E, 41/1 E, 48/1 E

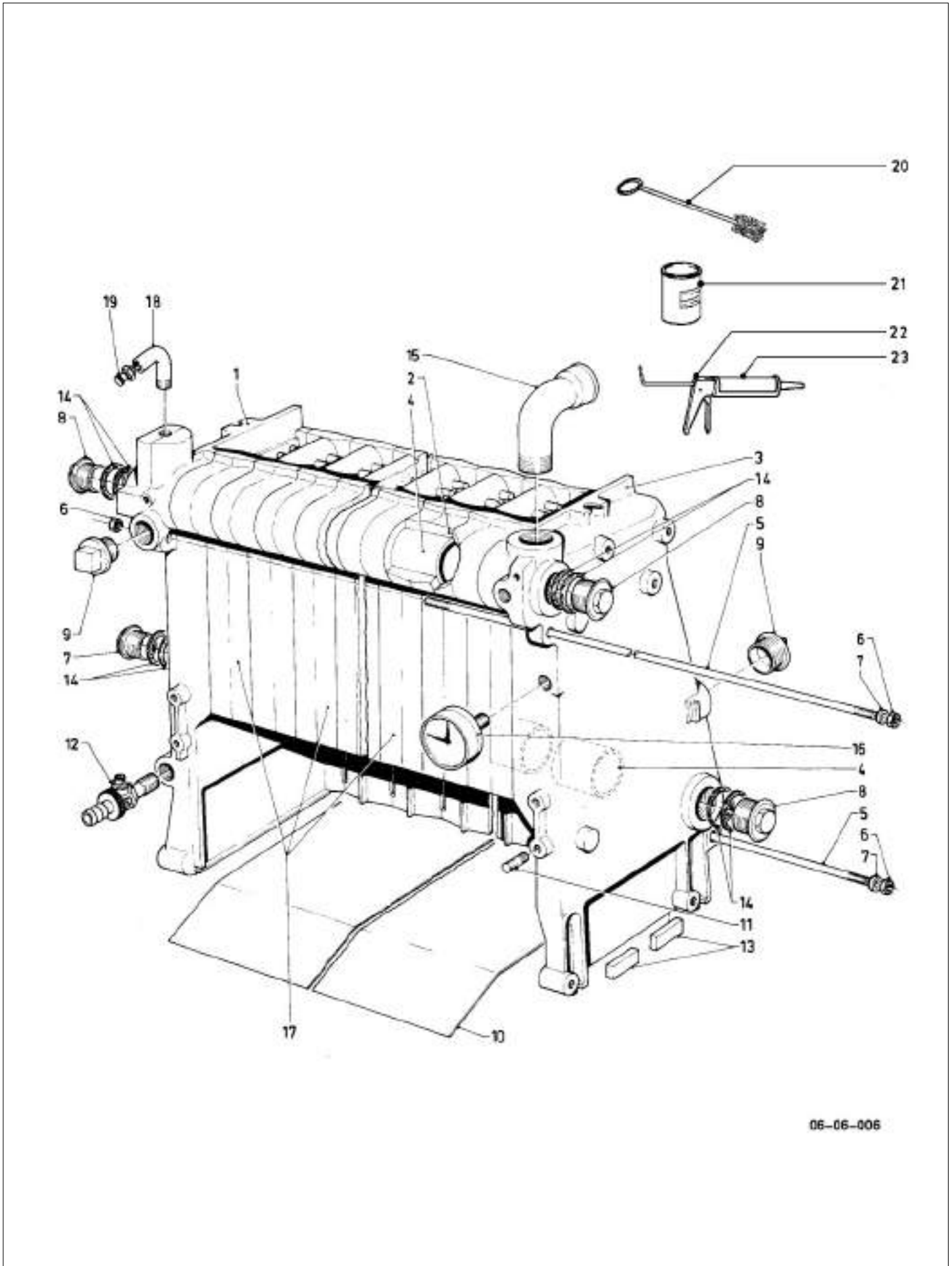
Pict. No.	Article-No.	Part	Indic.	Type, Remarks
-	06-1944 06-1945 06-1949	boiler section,cpl. boiler section,cpl. boiler section,cpl.		VKS-VK 35/1 E VKS-VK 41/1 E VKS-VK 48/1 E } with parts 1 - 9, 25, 32
1	45-9900	end section, left-hand		
2	45-9901	end section, right-hand		
3	45-9902	middle section		
4	06-1523	connection nipple		
5	06-2209 06-2210 06-2279	tie rod tie rod tie rod		VKS-VK 35/1 E VKS-VK 41/1 E VKS-VK 48/1 E } with parts 6, 7
6	28-0716	spring-washer		
7	11-4888	nut		
8	08-2218	drain cock		
9	06-0058	protective housing		
10	29-9825 29-9826 29-9827	sealing profile sealing profile sealing profile		VKS-VK 35/1 E VKS-VK 41/1 E VKS-VK 48/1 E
11	12-7962	screw		
12	19-1407	disc		
13	11-4888	nut		
14	45-4695	screw		
15	21-3351 21-3352 46-1248	burner plate burner plate burner plate		VKS-VK 35/1 E VKS-VK 41/1 E VKS-VK 48/1 E
16	99-0157	sealing compound		
17	07-9214 07-9215 46-1251	collecting tray collecting tray collecting tray		VKS-VK 35/1 E VKS-VK 41/1 E VKS-VK 48/1 E
23	45-4699	drain screw		
25	45-9545 45-9566	elbow elbow		VKS-VK 35/1 E VKS-VK 41/1 E, 48/1 E
28	06-0051	de-aeration valve (R 1/8)		
31	10-1252	manometer		
32	18-3902	connection		Iron execution
32a	46-1521	connection		steel execution
33	45-5758	pipe (Rp 1x295)		
34	99-0230	brush for gas boiler		
35	99-0203	sealant (500 g)		
36	99-0206	sealant applicator		
37	99-0324	sealing cement		600-g-cartridge

H = Natural Gas
B = LP Gas

Main component 06 Boiler section

VKS 47 E, 58 E, 76 E, 93 E

VKS 47/1 E, 58/1 E, 76/1 E, 93/1 E, VK 58/1 E, 76/1 E, 93/1 E



06-06-006

Main component 06 Boiler section

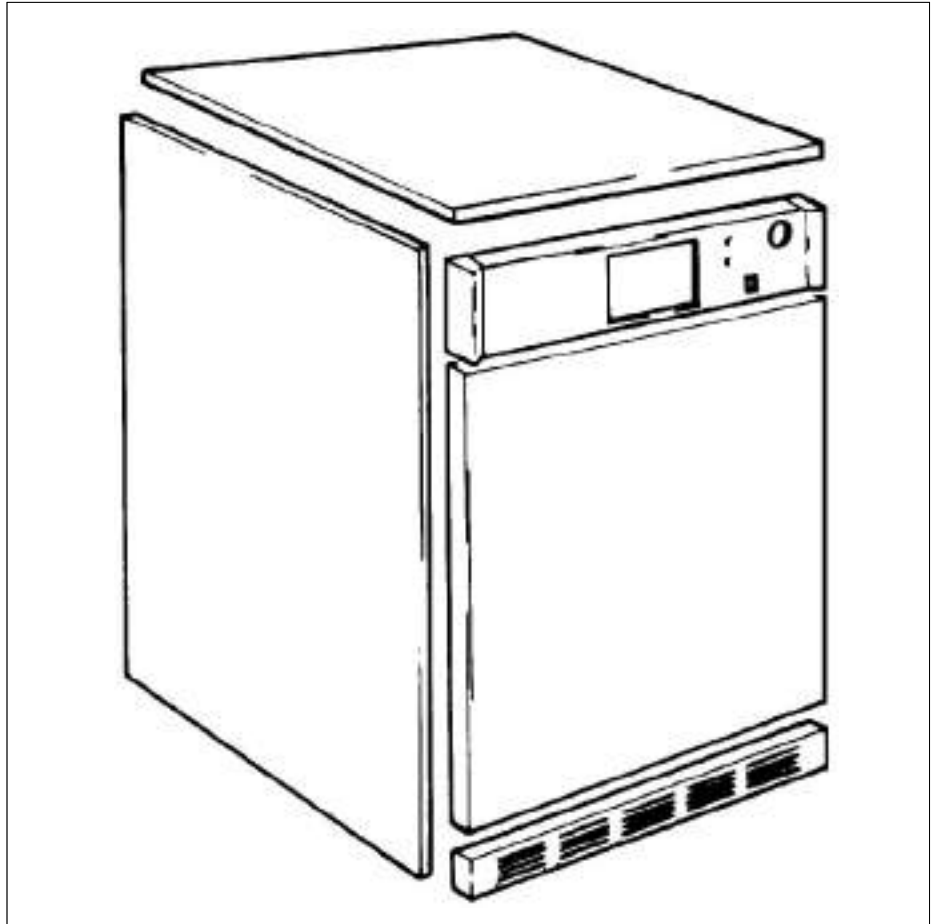
VKS 47 E, 58 E, 76 E, 93 E

VKS 47/1 E, 58/1 E, 76/1 E, 93/1 E, VK 58/1 E, 76/1 E, 93/1 E

Pict. No.	Article-No.	Part	Indic.	Type, Remarks
1	06-2464	end section, left-hand		
2	45-4690	middle section		
3	45-4691	end section, right-hand		
4	06-0059	connection nipple		
5	06-0048	tie rod		VKS 47 E, 47/1 E
	06-0049	tie rod		VKS-VK 58 E, 58/1 E
	06-0050	tie rod		VKS-VK 76 E, 76/1 E
	06-0235	tie rod		VKS-VK 93 E, 93/1 E
6	11-4892	nut		} with parts 6, 7
7	45-5269	spring-washer		
8	06-0052	plug (R 1 1/4)		
9	06-0053	plug (R 1)		
10	07-0937	collecting tray		VKS 47 E, 47/1 E
	06-0160	collecting tray		VKS-VK 58 E, 58/1 E
	06-0161	collecting tray		VKS-VK 76 E, 76/1 E
	45-5426	collecting tray		VKS-VK 93 E, 93/1 E
11	06-0055	threaded pin		
12	08-2218	drain cock		
13	07-0069	boiler foot		
14	98-0121	packingring		
15	49-2086	elbow pipe		
16	10-1252	manometer		
17	06-1929	boiler section,cpl.		VKS 47 E, 47/1 E
	06-1930	boiler section,cpl.		VKS-VK 58 E, 58/1 E
	06-1931	boiler section,cpl.		VKS-VK 76 E, 76/1 E
18	45-2580	connection tube		} with parts 1 - 9, 12 - 15
19	06-0051	de-aeration valve (R 1/8)		
20	99-0230	brush for gas boiler		
21	99-0203	sealant (500 g)		
22	99-0206	sealant applicator		
23	99-0324	sealing cement		600-g-cartridge

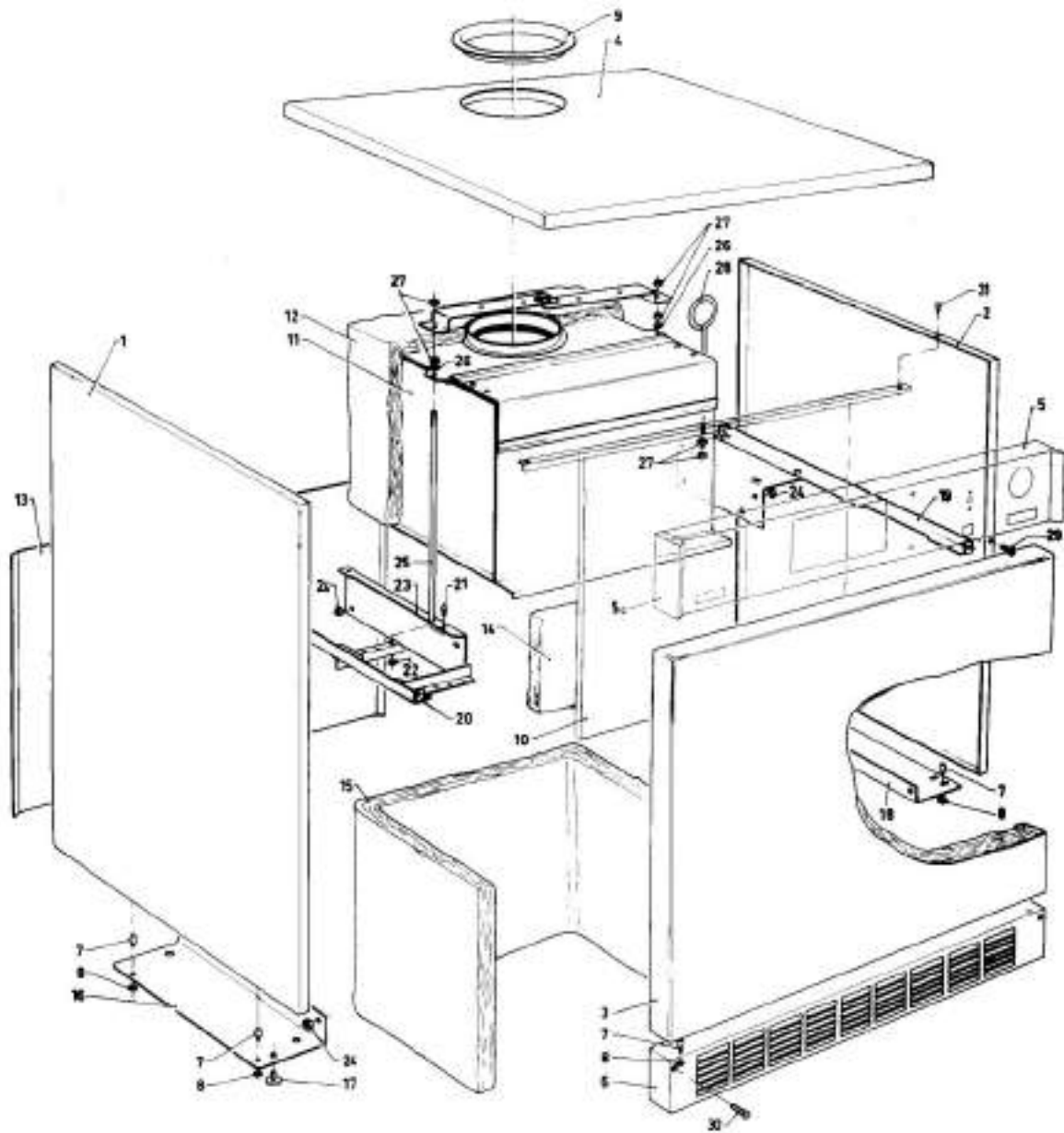
H = Natural Gas
B = LP Gas

Main component 07



	Page
Casing VKS 35 E, 41 E	26 - 27
Casing VKS 35/1 E, 41/1 E, 48/1 E VK 35/1 E, 41/1 E, 48/1 E	28 - 31
Casing VKS 47 E, 58 E, 76 E, 93 E (for appliances until 03/86)	32 - 35
Casing VKS 47 E, 58 E, 76 E, 93 E (for appliances 03/86 -) VKS 47/1 E, 58/1 E, 76/1 E, 93/1 E VK 58/1 E, 76/1 E, 93/1 E	36 - 39

Main component 07 Casing
VKS 35 E, 41 E



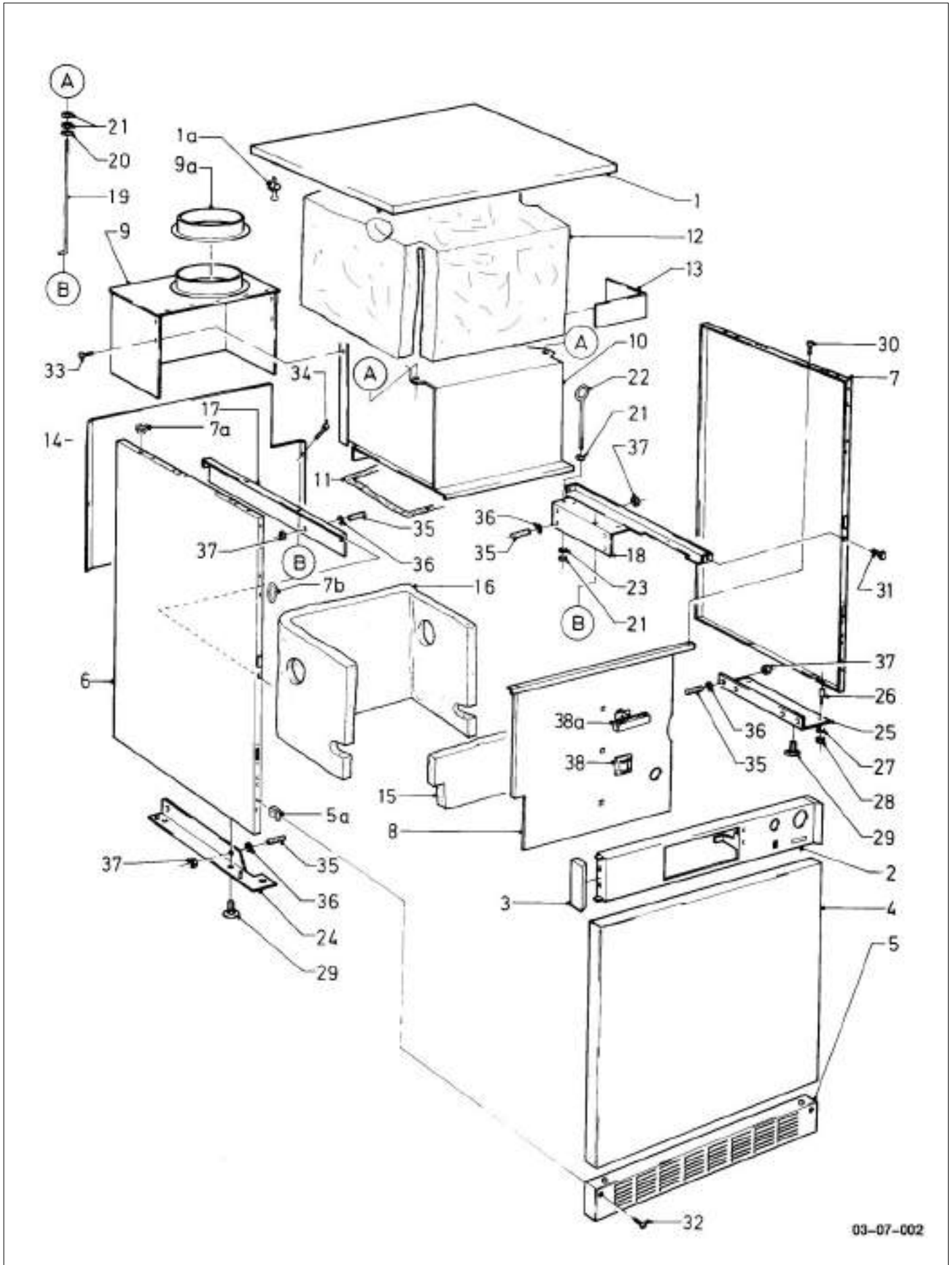
03-07-001

Main component 07 Casing VKS 35 E, 41 E

Pict. No.	Article-No.	Part	Indic.	Type, Remarks
1	07-9874	side panel		
2	07-9875	side panel		
3	07-0155	front panel		VKS 35 E
	07-0156	front panel		VKS 41 E
4	07-0865	cover		VKS 35 E
	07-0866	cover		VKS 41 E
5	07-5557	upper front panel		VKS 35 E
	07-5558	upper front panel		VKS 41 E
5a	20-4055	cap		} with part 5a
6	07-2246	lower front panel		VKS 35 E
	07-2247	lower front panel		VKS 41 E
7	49-0529	screw		
	28-0706	washer		not shown
8	07-0007	nut		
9	28-2265	ring		
10	45-8231	mounting plate		VKS 35 E
	45-8232	mounting plate		VKS 41 E
11	45-8163	draft diverter		VKS 35 E
	45-8164	draft diverter		VKS 41 E
12	45-8111	insulation		VKS 35 E
	45-8112	insulation		VKS 41 E
-	45-4335	aluminium adhesive tie		for fixing of insulation (not shown)
13	45-8249	back panel		VKS 35 E
	45-8250	back panel		VKS 41 E
14	46-1853	insulation		
15	45-8155	insulation		VKS 35 E
	45-8156	insulation		VKS 41 E
16	16-3409	support		
17	45-3681	screw		
18	16-3410	support		
19	16-3413	support		
23	45-4950	support		
24	11-4888	nut		
25	45-5731	hook screw		
26	49-2032	disc		
27	49-2064	nut		
28	45-5756	support screw		
29	23-5740	screw		
30	49-2147	screw		
31	08-8624	screw		

H = Natural Gas
B = LP Gas

Main component 07 Casing
VKS 35/1 E, 41/1 E, 48/1 E
VK 35/1 E, 41/1 E, 48/1 E



03-07-002

Main component 07 Casing
VKS 35/1 E, 41/1 E, 48/1 E
VK 35/1 E, 41/1 E, 48/1 E

Pict. No.	Article-No.	Part	Indic.	Type, Remarks
1	07-0895	cover		VKS-VK 35/1 E
	07-0896	cover		VKS-VK 41/1 E
	07-2116	cover		VKS-VK 48/1 E
1a	13-2902	plastic stud		
2	07-5557	upper front panel		VKS-VK 35/1 E
	07-5558	upper front panel		VKS-VK 41/1 E
	07-5565	upper front panel		VKS-VK 48/1 E
3	20-3849	cap		
4	07-0155	front panel		VKS-VK 35/1 E
	07-0156	front panel		VKS-VK 41/1 E
	07-0235	front panel		VKS-VK 48/1 E
5	07-2246	lower front panel		VKS-VK 35/1 E
	07-2247	lower front panel		VKS-VK 41/1 E
	07-5522	lower front panel		VKS-VK 48/1 E
5a	11-4616	plastic lock nut		
6	07-9874	side panel		
7	07-9875	side panel		
7a	12-4811	plastic counter bush (top)		
7b	12-4810	plastic counter bush (front)		
8	45-8231	mounting plate		VKS-VK 35/1 E
	45-8232	mounting plate		VKS-VK 41/1 E
	46-1255	mounting plate		VKS-VK 48/1 E
9	46-1505	draft diverter		VKS-VK 35/1 E
	46-1506	draft diverter		VKS-VK 41/1 E
	46-1530	draft diverter		VKS-VK 48/1 E
9a	46-1224	ring		only for VKS-VK 48/1 E
10	46-1476	flue gas removal		VKS-VK 35/1 E
	46-1477	flue gas removal		VKS-VK 41/1 E
	46-1240	flue gas removal		VKS-VK 48/1 E
11	99-0157	sealing compound (1m)		
12	46-1859	insulation		
13	45-4335	aluminium adhesive tie		for fixing of insulation
14	45-8249	back panel		VKS-VK 35/1 E
	45-8250	back panel		VKS-VK 41/1 E
	46-1258	back panel		VKS-VK 48/1 E
15	46-1853	insulation		
16	45-8155	insulation		VKS-VK 35/1 E
	45-8156	insulation		VKS-VK 41/1 E
	46-1239	insulation		VKS-VK 48/1 E

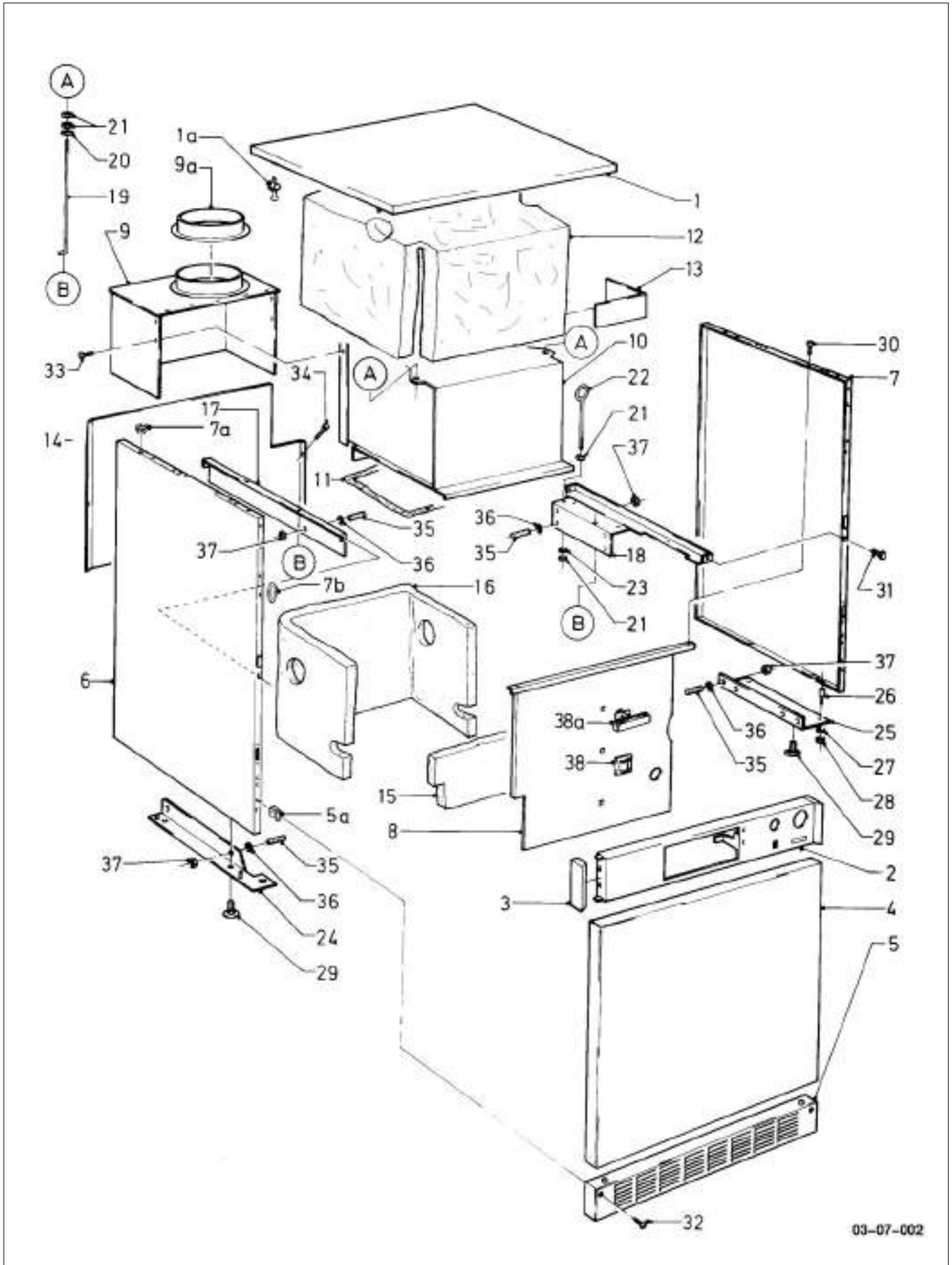
} with part 1a

} with part 3

} with part 5a, 7 a-b

H = Natural Gas
B = LP Gas

Main component 07 Casing
VKS 35/1 E, 41/1 E, 48/1 E
VK 35/1 E, 41/1 E, 48/1 E



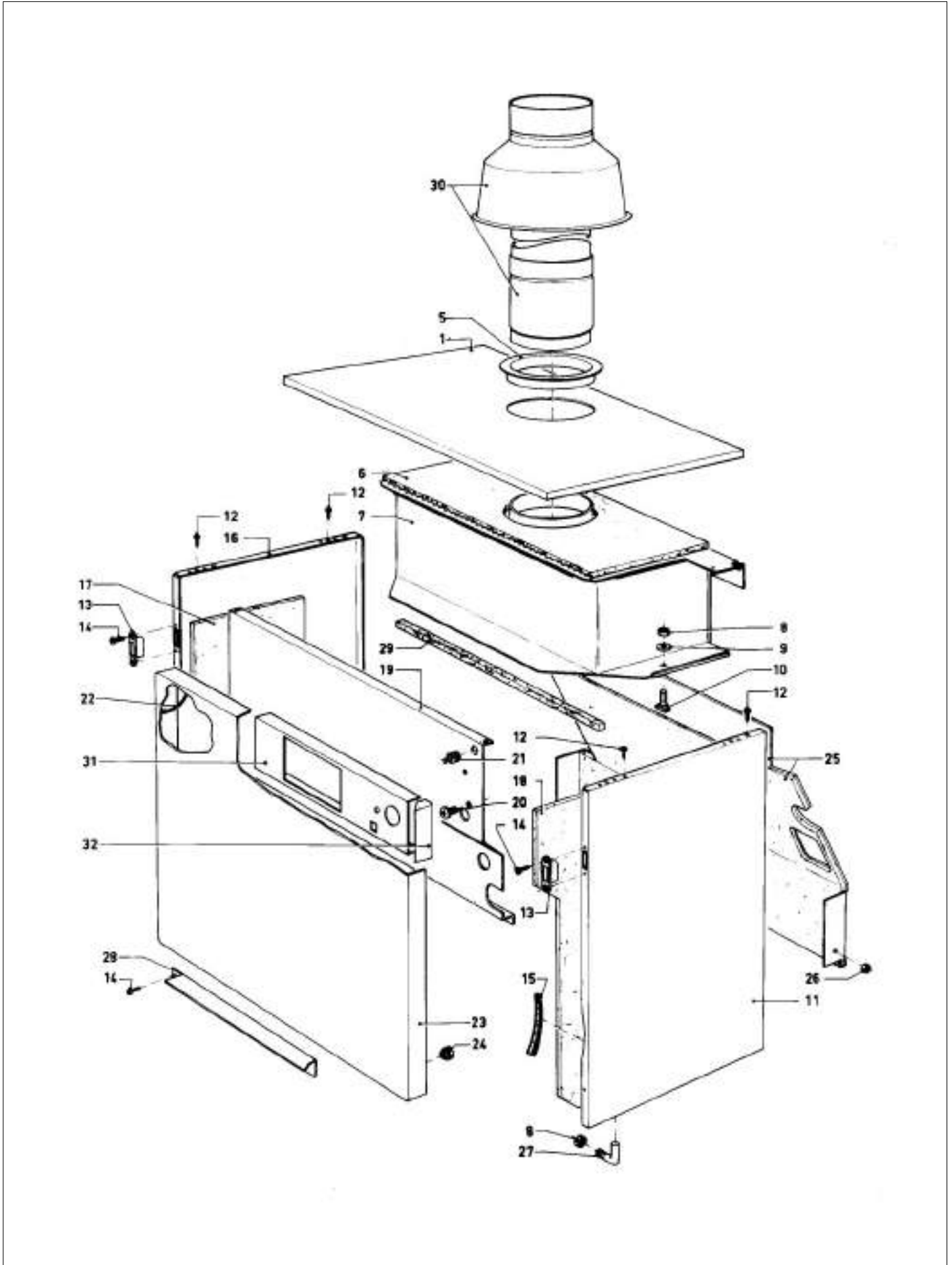
03-07-002

Main component 07 Casing
VKS 35/1 E, 41/1 E, 48/1 E
VK 35/1 E, 41/1 E, 48/1 E

Pict. No.	Article-No.	Part	Indic.	Type, Remarks
17	45-4950	support		
18	16-3413	support		
19	45-5731	hook screw		
20	49-2032	disc		
21	49-2064	nut		
22	45-5756	support screw		
23	49-1421	disc		
24	16-3409	support		
25	16-3410	support		with parts 26-28
26	49-0529	screw		
27	28-0706	washer		
28	07-0007	nut		
29	45-9886	adjusting screw		
30	13-0005	screw		
31-32	23-5740	screw		
33	49-0414	screw		
34	23-5740	screw		
35	12-7962	screw		
36	19-1407	disc		
37	11-4888	nut		
38	95-0355	adhesive clip for cables		
38a	28-9730	clip for cables		

H = Natural Gas
B = LP Gas

Main component 07 Casing
VKS 47 E, 58 E, 76 E, 93 E
(for appliances until 03/86)

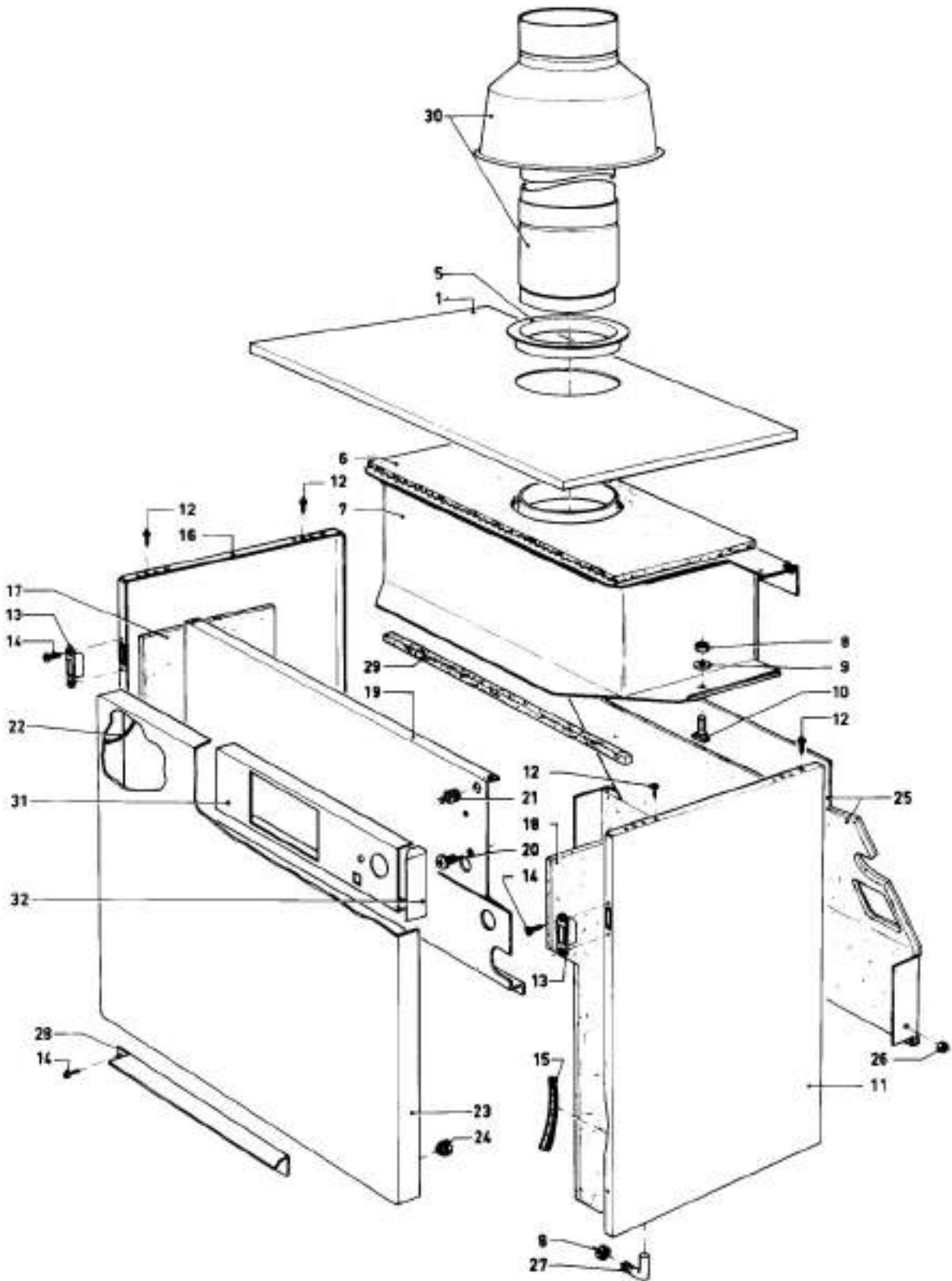


Main component 07 Casing
VKS 47 E, 58 E, 76 E, 93 E
(for appliances until 03/86)

Pict. No.	Article-No.	Part	Indic.	Type, Remarks
1	07-0686	cover		VKS 47 E
	07-0687	cover		VKS 58 E
	07-0688	cover		VKS 76 E
	07-0689	cover		VKS 93 E
5	28-2265	ring		VKS 47 E
	28-2266	ring		VKS 58 E
	28-2267	ring		VKS 76 E
	28-2277	ring		VKS 93 E
6	45-5253	insulation		VKS 47 E
	45-5254	insulation		VKS 58 E
	45-5257	insulation		VKS 76 E
	45-5258	insulation		VKS 93 E
-	45-4335	aluminium adhesive tie		for fixing of insulation (not shown)
7	45-5235	flue gas removal		VKS 47 E
	45-5236	flue gas removal		VKS 58 E
	45-5239	flue gas removal		VKS 76 E
	45-5240	flue gas removal		VKS 93 E
8	11-4888	nut		
9	19-1325	disc		
10	07-0028	retaining bolt		
11	07-9806	side panel		with parts 13-15
12	49-2147	screw		
13	28-8301	magnet		
14	13-0005	screw		
15	28-2829	sealing profile		
16	07-9804	side panel		with parts 13-15
17	45-5259	insulation		
18	45-5260	insulation		
19	45-8295	mounting plate		VKS 47 E
	45-8296	mounting plate		VKS 58 E
	45-8297	mounting plate		VKS 76 E
	45-8299	mounting plate		VKS 93 E
20	07-0026	screw		
21	20-1819	cable grommet		
22	08-6066	chain		
23	07-4193	front panel		VKS 47 E
	07-4194	front panel		VKS 58 E
	07-4195	front panel		VKS 76 E
	07-4196	front panel		VKS 93 E
24	13-7237	plug		
25	07-1181	back panel		VKS 47 E
	45-5429	back panel		VKS 58 E
	45-5431	back panel		VKS 76 E
	45-5432	back panel		VKS 93 E
26	11-4851	nut		
27	07-0056	hook screw		

H = Natural Gas
B = LP Gas

Main component 07 Casing
VKS 47 E, 58 E, 76 E, 93 E
(for appliances until 03/86)



**Main component 07 Casing
VKS 47 E, 58 E, 76 E, 93 E
(for appliances until 03/86)**

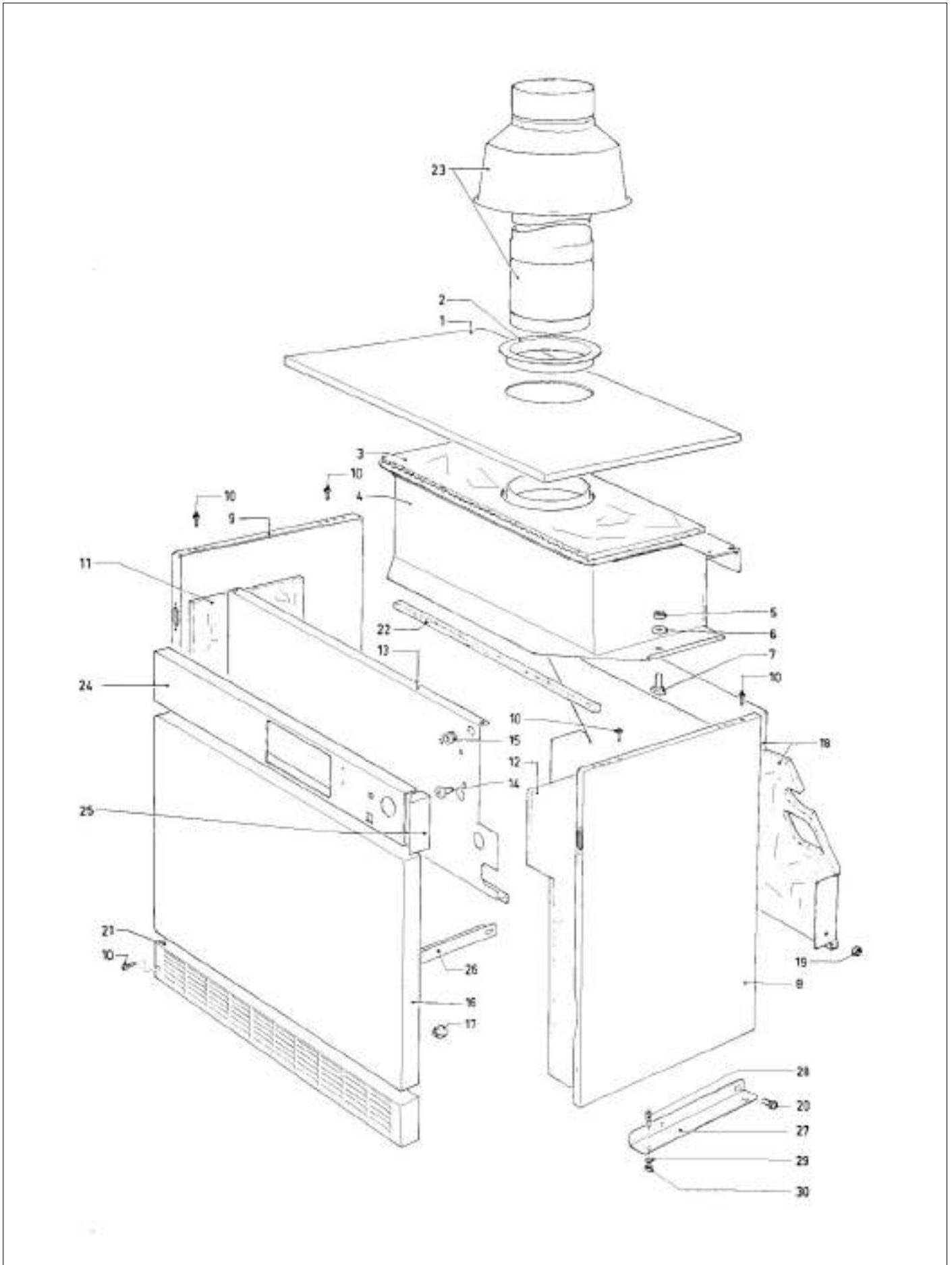
Pict. No.	Article-No.	Part	Indic.	Type, Remarks
28	07-2229	support		VKS 47 E
	07-2230	support		VKS 58 E
	07-2231	support		VKS 76 E
	07-2232	support		VKS 93 E
29	45-5265	insulation		
30	07-4915	draft diverter		VKS 47 E
	07-4916	draft diverter		VKS 58 E
	07-4917	draft diverter		VKS 76 E
	07-4918	draft diverter		VKS 93 E
31	07-5553	upper front panel		with part 32
32	20-4055	cap		

**H = Natural Gas
B = LP Gas**

Main component 07 Casing

VKS 47 E, 58 E, 76 E, 93 E (for appliances 03/86 -)

VKS 47/1 E, 58/1 E, 76/1 E, 93/1 E, VK 58/1 E, 76/1 E, 93/1 E



Main component 07 Casing
VKS 47 E, 58 E, 76 E, 93 E (for appliances 03/86 -)
VKS 47/1 E, 58/1 E, 76/1 E, 93/1 E, VK 58/1 E, 76/1 E, 93/1 E

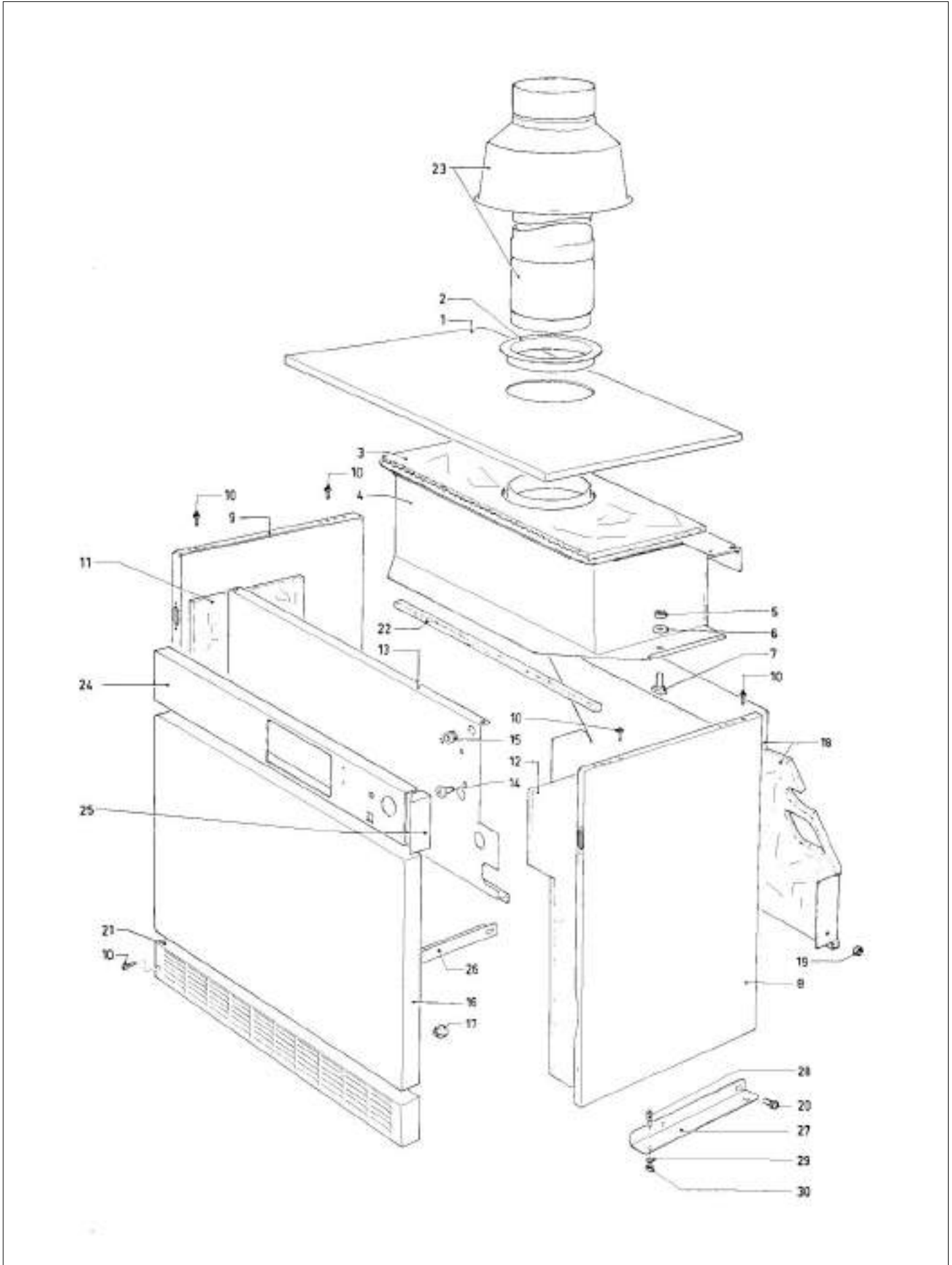
Pict. No.	Article-No.	Part	Indic.	Type, Remarks
1	07-0887	cover		VKS-VK 47 E, 47/1 E/EU
	07-0888	cover		VKS-VK 58 E, 58/1 E/EU
	07-0889	cover		VKS-VK 76 E, 76/1 E/EU
	07-0890	cover		VKS-VK 93 E, 93/1 E/EU
2	28-2265	ring		VKS-VK 47 E, 47/1 E/EU
	28-2266	ring		VKS-VK 58 E, 58/1 E/EU
	28-2267	ring		VKS-VK 76 E, 76/1 E/EU
	28-2277	ring		VKS-VK 93 E, 93/1 E/EU
3	45-5253	insulation		VKS-VK 47 E, 47/1 E/EU
	45-5254	insulation		VKS-VK 58 E, 58/1 E/EU
	45-5257	insulation		VKS-VK 76 E, 76/1 E/EU
	45-5258	insulation		VKS-VK 93 E, 93/1 E/EU
-	45-4335	aluminium adhesive tie		for fixing of insulation (not shown)
4	45-5235	flue gas removal		VKS-VK 47 E, 47/1 E/EU
	45-5236	flue gas removal		VKS-VK 58 E, 58/1 E/EU
	45-5239	flue gas removal		VKS-VK 76 E, 76/1 E/EU
	45-5240	flue gas removal		VKS-VK 93 E, 93/1 E/EU
5	11-4888	nut		
6	19-1411	disc		
7	07-0028	retaining bolt		
8	07-9875	side panel		
9	07-9874	side panel		
10	49-2147	screw		
11	45-5259	insulation		
12	45-5260	insulation		
13	45-8295	mounting plate		VKS-VK 47 E, 47/1 E/EU
	45-8296	mounting plate		VKS-VK 58 E, 58/1 E/EU
	45-8297	mounting plate		VKS-VK 76 E, 76/1 E/EU
	45-8299	mounting plate		VKS-VK 93 E, 93/1 E/EU
14	07-0026	screw		
15	20-1819	cable grommet		
16	07-0201	front panel		VKS-VK 47 E, 47/1 E/EU
	07-0202	front panel		VKS-VK 58 E, 58/1 E/EU
	07-0203	front panel		VKS-VK 76 E, 76/1 E/EU
	07-0204	front panel		VKS-VK 93 E, 93/1 E/EU
17	13-7237	plug		
18	07-1181	back panel		VKS-VK 47 E, 47/1 E/EU
	45-5429	back panel		VKS-VK 58 E, 58/1 E/EU
	45-5431	back panel		VKS-VK 76 E, 76/1 E/EU
	45-5432	back panel		VKS-VK 93 E, 93/1 E/EU
19	11-4851	nut		
20	49-0842	screw		

H = Natural Gas
B = LP Gas

Main component 07 Casing

VKS 47 E, 58 E, 76 E, 93 E (for appliances 03/86 -)

VKS 47/1 E, 58/1 E, 76/1 E, 93/1 E, VK 58/1 E, 76/1 E, 93/1 E

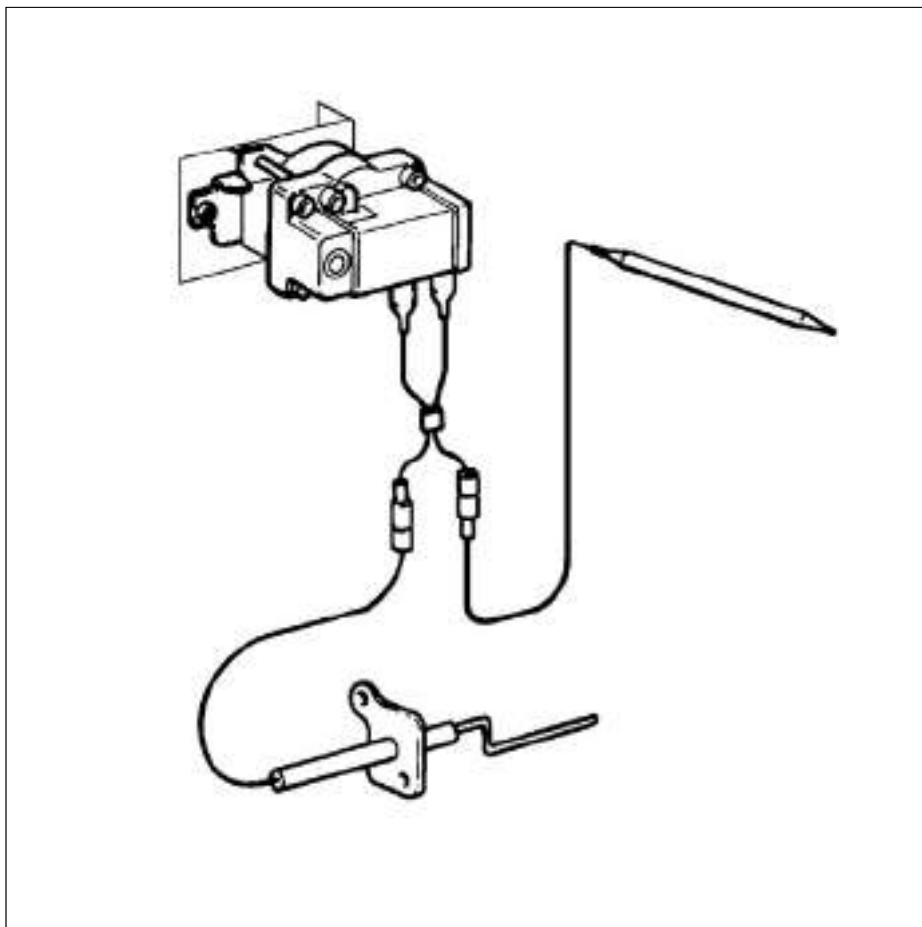


Main component 07 Casing
VKS 47 E, 58 E, 76 E, 93 E (for appliances 03/86 -)
VKS 47/1 E, 58/1 E, 76/1 E, 93/1 E, VK 58/1 E, 76/1 E, 93/1 E

Pict. No.	Article-No.	Part	Indic.	Type, Remarks
21	07-5450	lower front panel		VKS-VK 47 E, 47/1 E/EU
	07-5451	lower front panel		VKS-VK 58 E, 58/1 E/EU
	07-5452	lower front panel		VKS-VK 76 E, 76/1 E/EU
	07-5453	lower front panel		VKS-VK 93 E, 93/1 E/EU
22	45-5265	insulation		
23	07-4915	draft diverter		VKS-VK 47 E, 47/1 E/EU
	07-4916	draft diverter		VKS-VK 58 E, 58/1 E/EU
	07-4917	draft diverter		VKS-VK 76 E, 76/1 E/EU
	07-4918	draft diverter		VKS-VK 93 E, 93/1 E/EU
24	07-5454	upper front panel		VKS-VK 47 E, 47/1 E/EU
	07-5455	upper front panel		VKS-VK 58 E, 58/1 E/EU
	07-5456	upper front panel		VKS-VK 76 E, 76/1 E/EU
	07-5457	upper front panel		VKS-VK 93 E, 93/1 E/EU
25	20-3849	cap		
26	45-9833	support		
27	45-9834	support		
28	49-0529	screw		
29	28-0706	washer		
30	07-0007	nut		

H = Natural Gas
B = LP Gas

Main component 10



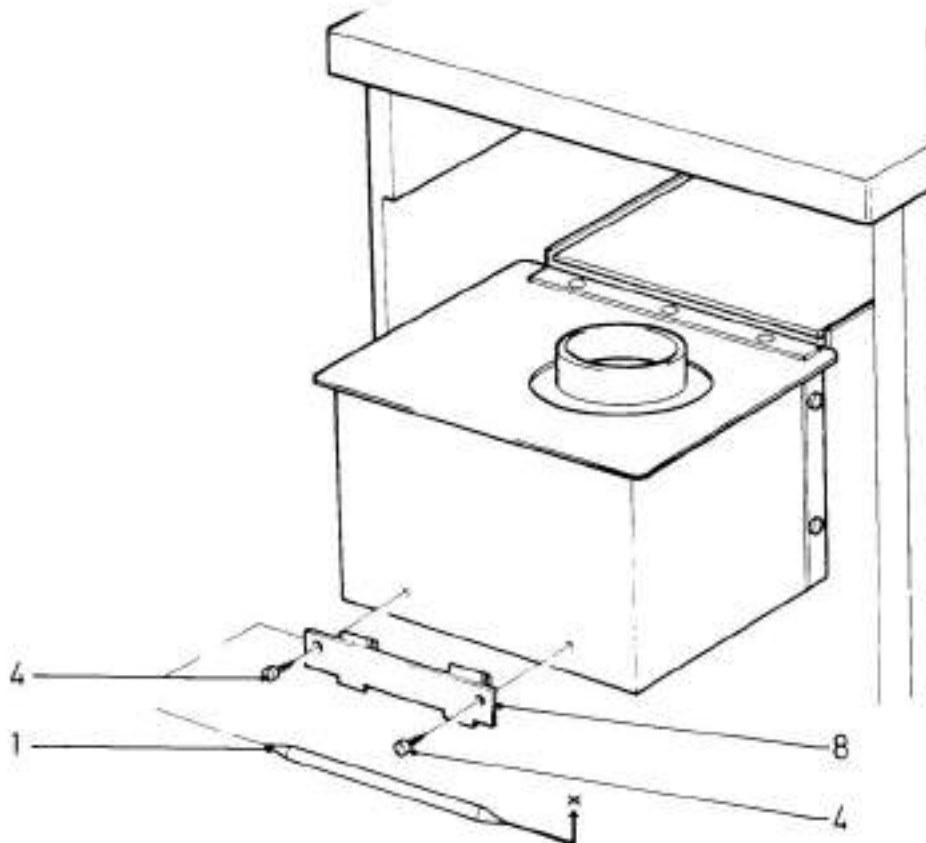
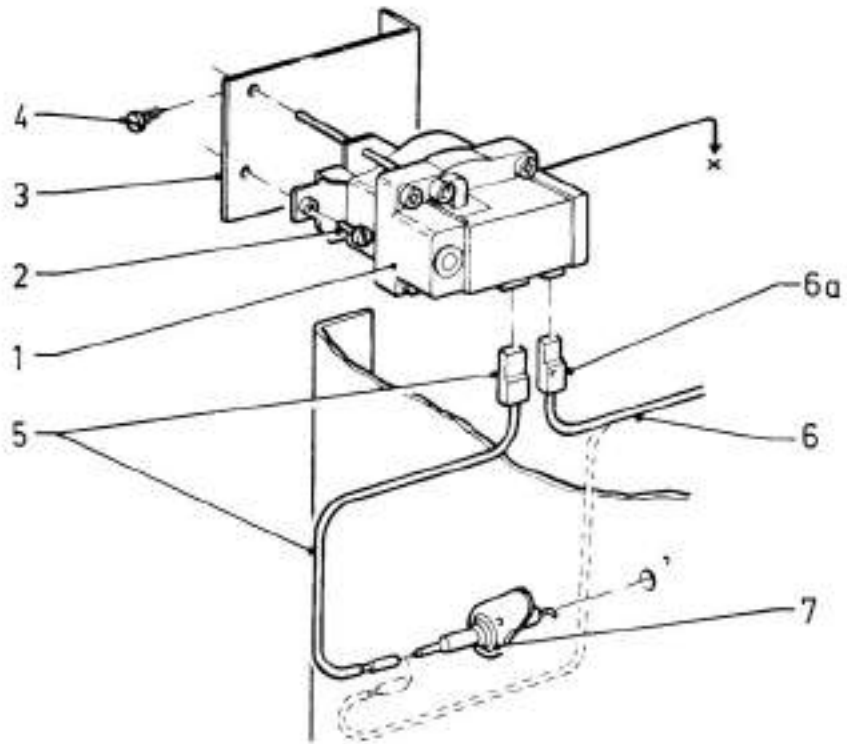
Flue gas sensor

VKS 35/1 E, 41/1 E, 48/1 E, VK 35/1 E, 41/1 E, 48/1 E

Page

42 - 43

Main component 10 Flue gas sensor
VKS 35/1 E, 41/1 E, 48/1 E
VK 35/1 E, 41/1 E, 48/1 E

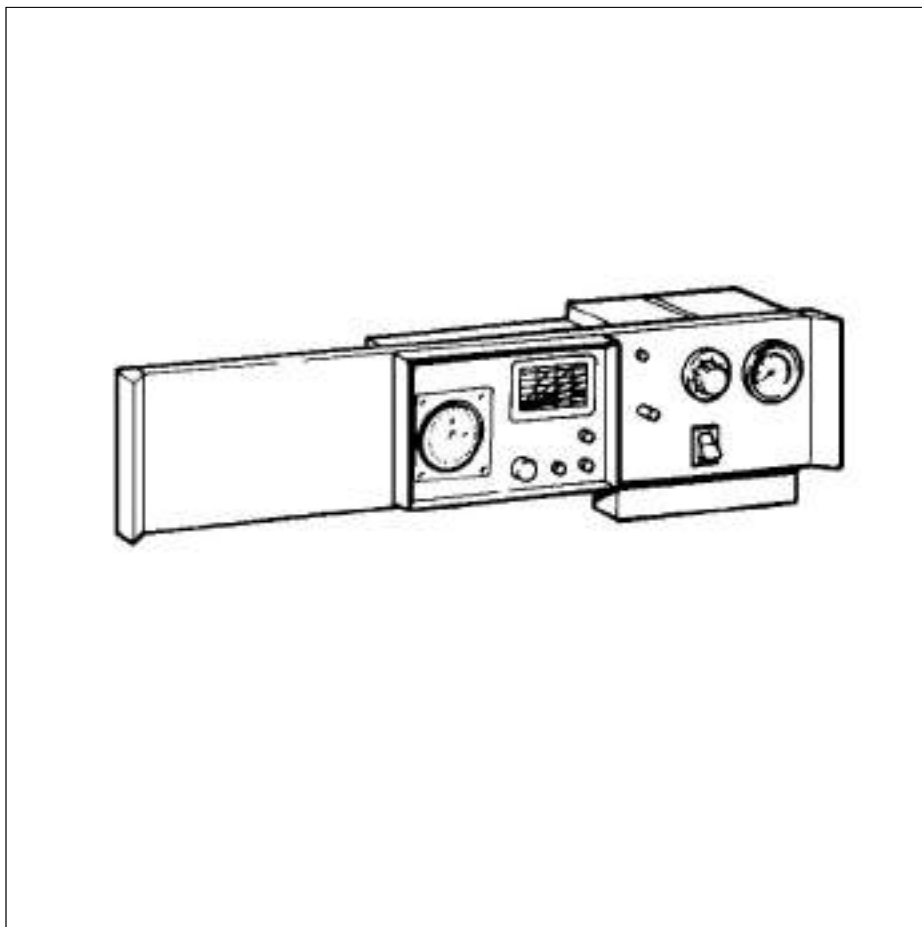


Main component 10 Flue gas sensor
VKS 35/1 E, 41/1 E, 48/1 E
VK 35/1 E, 41/1 E, 48/1 E

Pict. No.	Article-No.	Part	Indic.	Type, Remarks
1	10-0334	temperature limiter		
2	06-0018	screw		
3	08-5821	support		
4	08-8624	screw		
5	08-4491	connection line		
6	08-4467	connection line		without part 6a
6a	25-2776	plug		
7	09-0686	control electrode		
8	16-3483	support		
-	28-9730	clip for cables		} not shown
	28-8412	cable tie		

H = Natural Gas
B = LP Gas

Main component 12



Control panel

VKS 35 E, 41 E

VKS 47 E, 58 E, 76 E, 93 E

Page

46 - 47

Control panel

VKS 35/1 E, 41/1 E, 48/1 E

VK 35/1 E, 41/1 E, 48/1 E

VKS 47/1 E, 58/1 E, 76/1 E, 93/1 E

VK 58/1 E, 76/1 E, 93/1 E

(for appliances without extra-transformer until 09/90)

48 - 49

Control panel

VK 35/1 E, 41/1 E, 48/1 E, 58/1 E, 76/1 E, 93/1 E

(INT execution with extra-transformer 09/90 -)

50 - 51

Electronic board

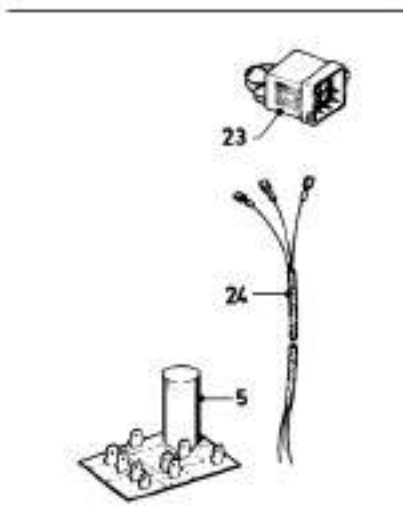
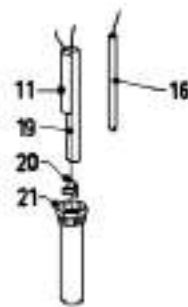
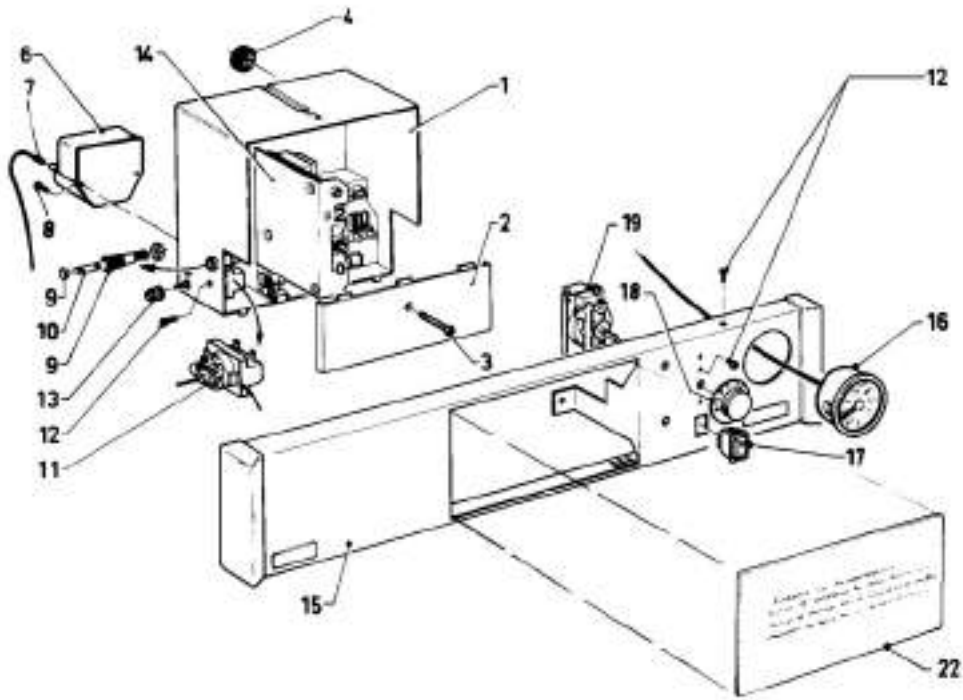
VRC-CB (Acc. 9690)

52 - 53

Main component 12 Control panel

VKS 35 E, 41 E

VKS 47 E, 58 E, 76 E, 93 E



03-12-002

Main component 12 Control panel

VKS 35 E, 41 E

VKS 47 E, 58 E, 76 E, 93 E

Pict. No.	Article-No.	Part	Indic.	Type, Remarks
1	12-1056	casing		} not shown
-	25-1124	terminal strip (4 terminals)		
	12-0068	terminal strip (6 terminals)		
2	20-1678	cover		
3	10-5783	screw		
4	12-0065	cable grommet		
5	13-0274	printed circuit board		condensor
6	09-1233	ignition transformer		
7	09-1514	ignition wire		
8	08-8624	screw		
9	25-2020	fuse-holder		with part 10
10	13-0037	fuse (2.0 A/250 V)		
11	10-1386	over-heat limiter		
12	06-0018	screw		
13	13-7234	plug		
14	10-0554	flame supervision device		
-	25-5821	cable tree		to flame supervision device (not shown)
15	-	upper front panel		see main component 07 page 26 onwards
16	10-1534	thermometer		
17	25-1777	switch		
18	14-3950	knob		
19	10-1475	temperature regulator		
20	19-5116	inset		
21	06-0058	protective housing		
22	07-0582	cover		
23	25-2773	link		for appliances without electronic board
24	08-4462	connection line		to gas section
	08-4463	connection line		to gas pressure monitor
	08-4464	connection line (yellow-green)		to boiler section
	-	connection line (white)		old execution, connecting ignition transformer with burner plate, is no longer available, please order double ignition electrode article-no. 09-0671 (see main component 04)
	08-4467	connection line		to control electrode
-	95-0355	adhesive clip for cables		} not shown
	28-8412	cable tie		

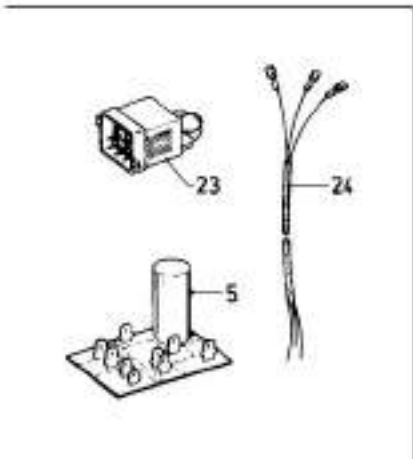
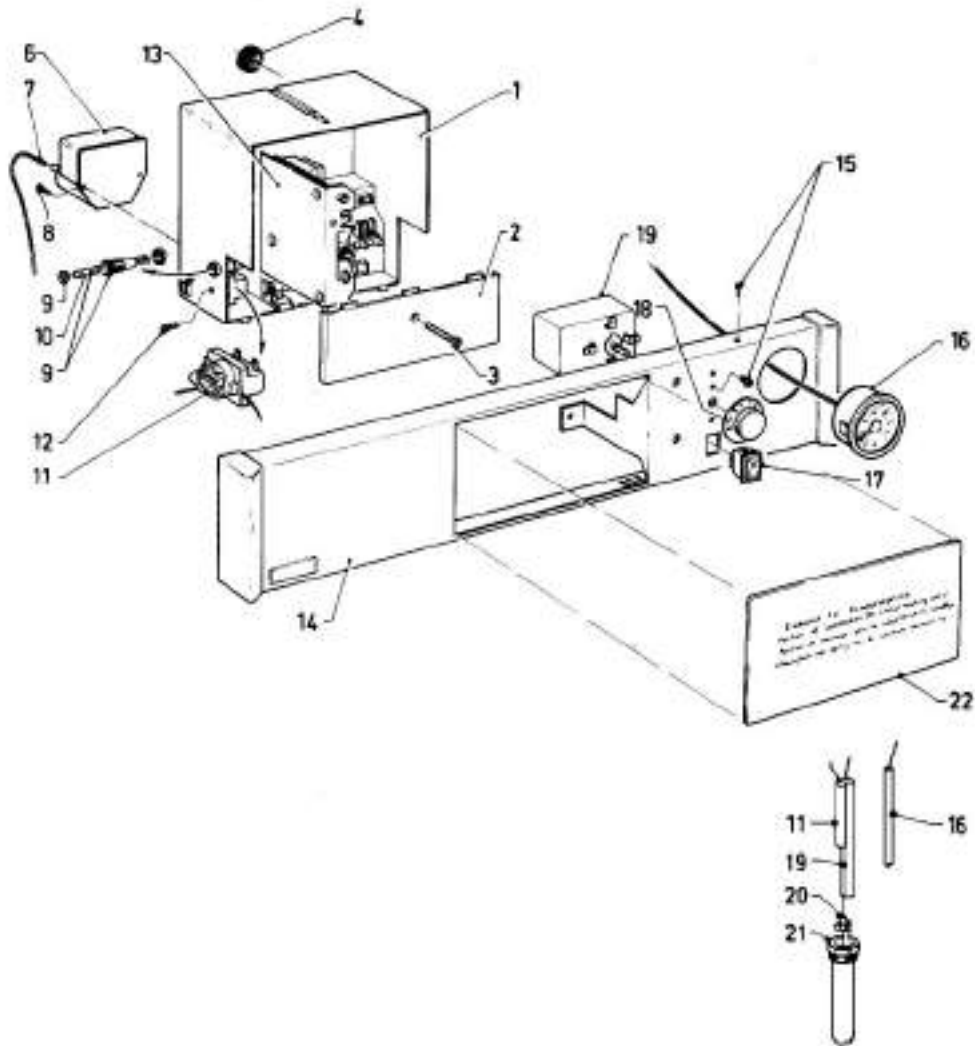
H = Natural Gas
B = LP Gas

Main component 12 Control panel

VKS 35/1 E, 41/1 E, 48/1 E, VK 35/1 E, 41/1 E, 48/1 E

VKS 47/1 E, 58/1 E, 76/1 E, 93/1 E, VK 58/1 E, 76/1 E, 93/1 E

(for appliances without extra-transformer until 09/90)



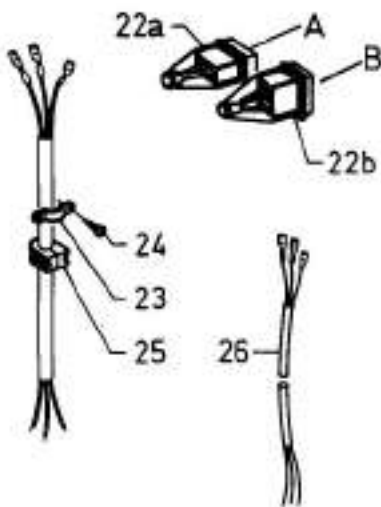
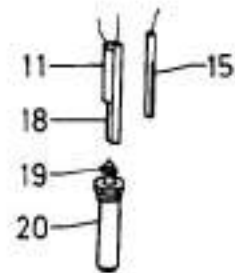
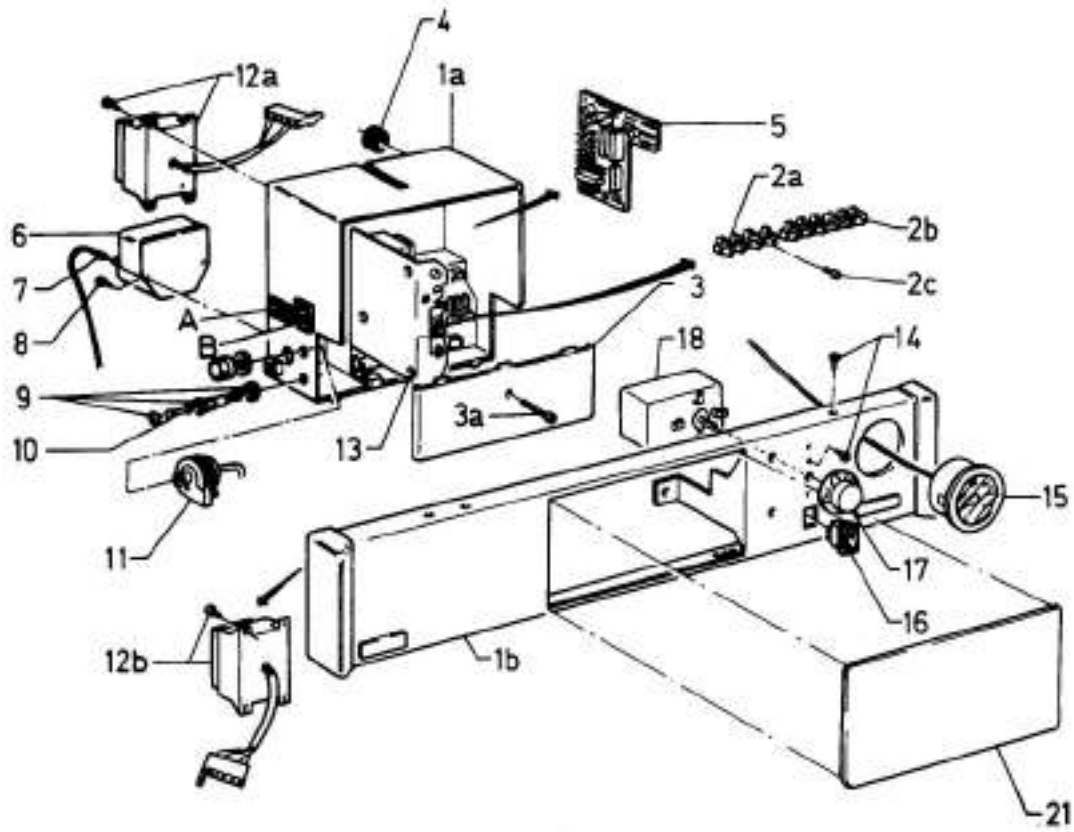
03-12-003

Main component 12 Control panel
VKS 35/1 E, 41/1 E, 48/1 E, VK 35/1 E, 41/1 E, 48/1 E
VKS 47/1 E, 58/1 E, 76/1 E, 93/1 E, VK 58/1 E, 76/1 E, 93/1 E
(for appliances without extra-transformer until 09/90)

Pict. No.	Article-No.	Part	Indic.	Type, Remarks
1	12-1056	casing		} not shown
-	25-1124	terminal strip (4 terminals)		
	12-0068	terminal strip (6 terminals)		
2	20-1678	cover		
3	10-5783	screw		
4	12-0065	cable grommet		
5	13-0274	printed circuit board		condensor
6	09-1241	ignition transformer		
7	09-1514	ignition wire		
8	08-8624	screw		
9	25-2020	fuse-holder		with part 10
10	13-0037	fuse (2.0 A/250 V)		
11	10-1386	over-heat limiter		
12	06-0018	screw		
13	10-0554	flame supervision device		
-	25-5821	cable tree		to flame supervision device (not shown)
14	-	upper front panel		see main component 07 page 28 onwards
15	06-0018	screw		
16	10-1534	thermometer		
17	25-1777	switch		
18	14-3950	knob		
19	10-1475	temperature regulator		
20	19-5116	inset		
21	06-0058	protective housing		
22	07-0582	cover		
23	25-2773	link		for appliances without electronic board
24	08-4462	connection line		to gas section
	08-4463	connection line		to gas pressure monitor
	08-4464	connection line (yellow-green)		to boiler section
	08-4467	connection line		to control electrode
-	28-9730	clip for cables		} not shown
	28-8412	cable tie		

H = Natural Gas
B = LP Gas

Main component 12 Control panel
VK 35/1 E, 41/1 E, 48/1 E, 58/1 E, 76/1 E, 93/1 E
(INT execution with extra-transformer 09/90 -)



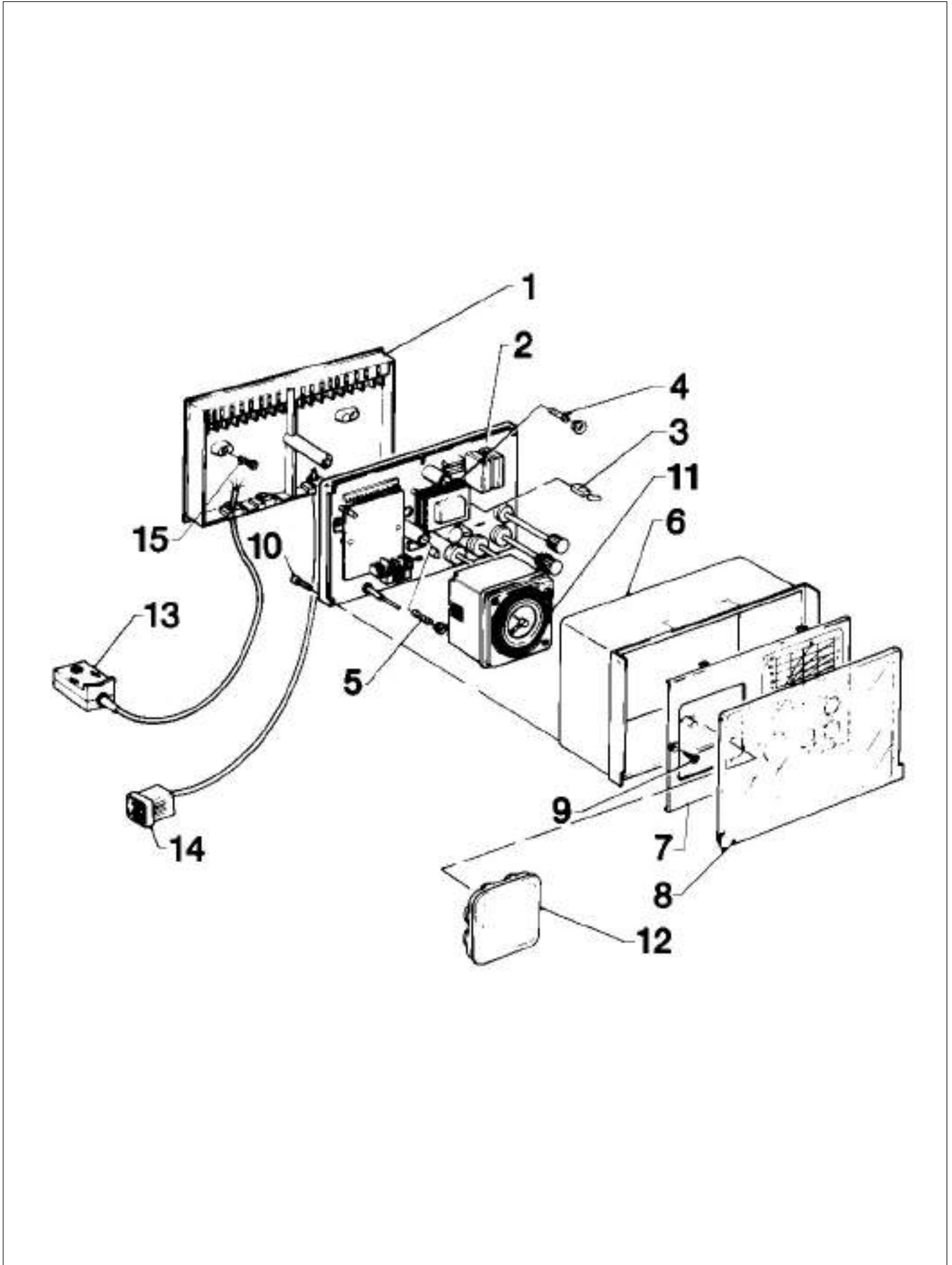
03-12-004

Main component 12 Control panel
VK 35/1 E, 41/1 E, 48/1 E, 58/1 E, 76/1 E, 93/1 E
(INT execution with extra-transformer 09/90 -)

Pict. No.	Article-No.	Part	Indic.	Type, Remarks
1a	12-0921	Control box		VK 35/1 E, 41/1 E, 48/1 E (with parts 2, 4-8, 9-13, 22-25)
1b	25-7522	Control panel		VK 58/1 E VK 76/1 E VK 93/1 E } with parts 1a, 2-11, 12b, 13-18, 21-26
	25-7523	Control panel		
	25-7524	Control panel		
2a	25-1124	terminal strip (4 terminals)		
2b	12-0068	terminal strip (6 terminals)		
2c	49-2226	screw		
3	20-1678	cover		
3a	10-5783	screw		
4	12-0065	cable grommet		
5	13-0328	printed circuit		
6	09-1241	ignition transformer		
7	09-1514	ignition wire		
8	08-8624	screw		
9	25-2027	fuse-holder		
10	13-0037	fuse (2.0 A/250 V)		
11	10-0365	over-heat limiter		
12a	28-7429	transformer		VK 35/1 E, 41/1 E, 48/1 E
12b	28-7430	transformer		VK 58/1 E, 76/1 E, 93/1 E
13	10-0554	flame supervision device		
14	06-0018	screw		
15	10-1534	thermometer		
16	25-1777	switch		
17	14-3950	knob		
18	10-1713	temperature regulator		
19	19-5116	inset		
20	06-0058	protective housing		
21	07-0582	cover		
22a	25-2773	link		
22b	25-2764	link		
23	18-8642	clamp		
24	13-0005	screw		
25	20-1849	cable bushing		
26	08-4462	connection line		to gas section
	08-4463	connection line		to gas pressure monitor
	08-4464	connection line (yellow-green)		to boiler section
	08-4467	connection line		to control electrode
-	28-9730	clip for cables		} not shown
	28-8412	cable tie		

H = Natural Gas B = LP Gas

**Main component 12 Electronic board
VRC-CB (Acc. 9690)**



Main component 12 Electronic board VRC-CB (Acc. 9690)

Pict. No.	Article-No.	Part	Indic.	Type, Remarks
1	-	panel		available as accessory 9573 (with part 14) with parts 3 - 10
2	25-2934	electronic board		
3	25-0790	link		
4	13-0037	fuse (T 2.0/250 V)		
5	25-1913	fuse (T 0,2/250 V)		
6	13-6950	casing		
7	07-1407	orifice		
8	07-2323	cover		
9	23-5742	screw		
10	23-5723	screw		
11	-	quartz-clocks		see accessories VRC 9654/9567
12	20-1623	cover		
13	-	sensors		see accessories VRC 692/693
14	-	single delivery not possible		
15	50-0056	screw		

H = Natural Gas
B = LP Gas