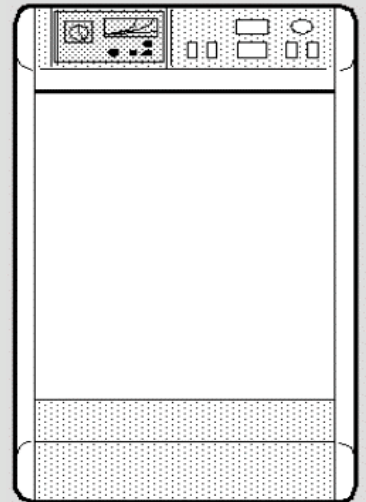


# Ersatzteilkatalog

802726.03 DE 01/03



Öl-Gebläsekessel  
Öl-/Gas-Gebläsekessel

VKO unit 17 ... 42  
VKO unit 17/2 ... 42/2  
VKO unit 17/3 ... 38/3  
VKO 22 ... 70  
VKO 22/2 ... 70/2  
VKO 22/3 ... 70/3



# Inhalt

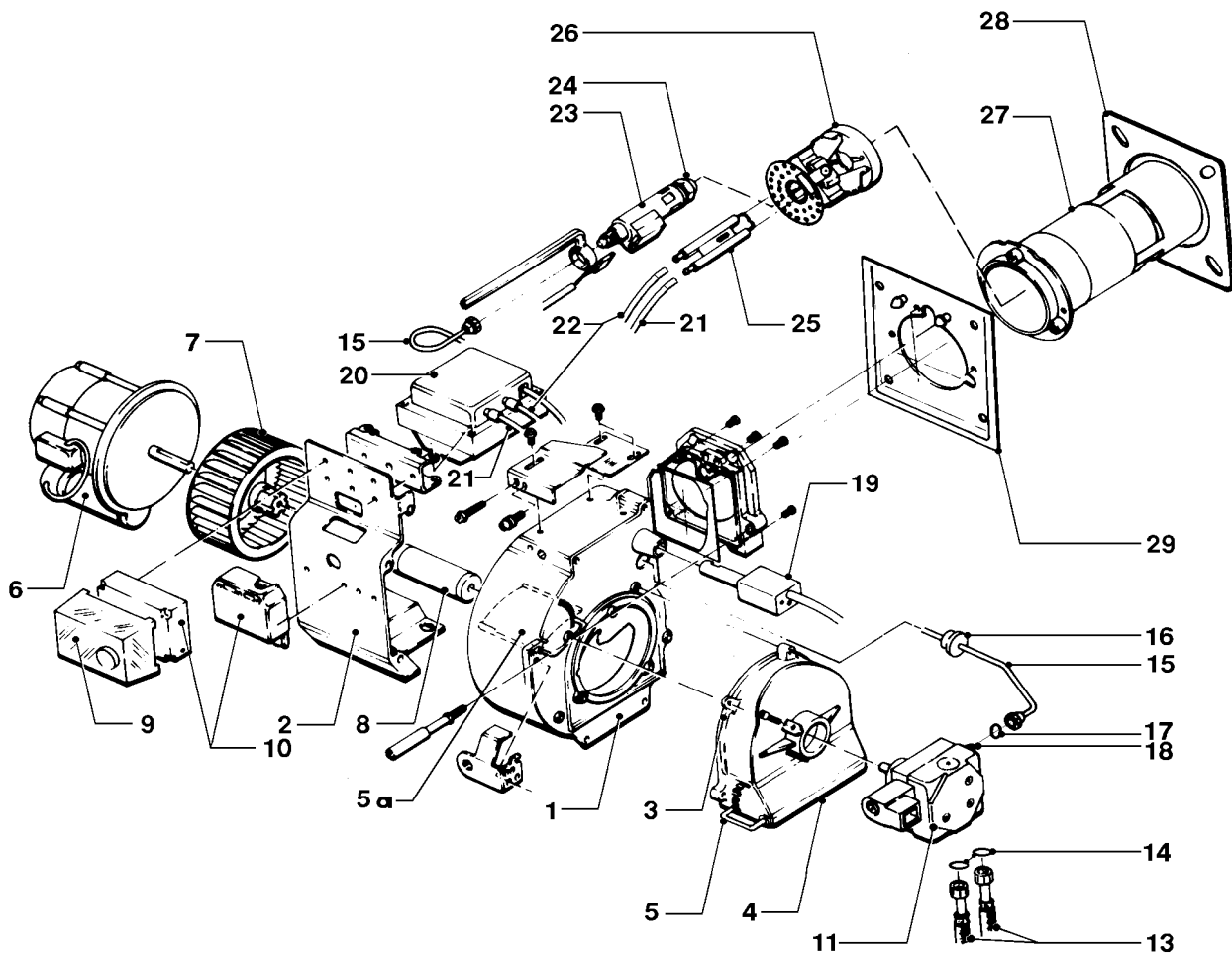
|   |  |          |
|---|--|----------|
| <b>04 Ölgebläsebrenner</b>  | VKO unit 17 ... 42<br>VKO unit 17/2 ... 42/2                                       | Seite 2  |
| <b>04 Ölgebläsebrenner</b>  | VKO unit 17/3 ... 38/3   | Seite 4  |
| <b>06 Kesselblock</b>   | VKO unit 17 ... 42<br>VKO unit 17/2 ... 42/2<br>VKO 22 ... 70<br>VKO 22/2 ... 70/2 | Seite 6  |
| <b>06 Kesselblock</b>   | VKO unit 17/3 ... 38/3<br>VKO 22/3 ... 70/3  | Seite 8  |
| <b>07 Verkleidungsteile</b>   | VKO unit 17 ... 42<br>VKO unit 17/2 ... 42/2                                       | Seite 12 |
| <b>07 Verkleidungsteile</b>   | VKO 22 ... 70<br>VKO 22/2 ... 70/2   | Seite 14 |
| <b>07 Verkleidungsteile</b>   | VKO unit 17/3 ... 38/3<br>VKO 22/3 ... 70/3  | Seite 16 |
| <b>12 Schaltkasten</b>  | VKO unit 17 ... 42   | Seite 18 |
| <b>12 Schaltkasten</b>  | VKO 22 ... 70  | Seite 20 |
| <b>12a Schaltkasten (Gehäuse)<br/>12b Schaltkasten (Funktionsteile)</b> | VKO unit 17/2 ... 42/2   | Seite 22 |
| <b>12a Schaltkasten (Gehäuse)<br/>12b Schaltkasten (Funktionsteile)</b> | VKO 22/2 ... 70/2  | Seite 26 |
| <b>12a Schaltkasten (Gehäuse)<br/>12b Schaltkasten (Funktionsteile)</b> | VKO unit 17/3 ... 38/3<br>VKO 22/3 ... 70/3  | Seite 30 |
| <b>Notizen</b>  |  | Seite 34 |

Um alle Funktionen des Vaillant Gerätes auf Dauer sicherzustellen und um den zugelassenen Serienstand nicht zu verändern, dürfen bei Wartungs- und Instandhaltungsarbeiten nur Original Vaillant Ersatzteile verwendet werden!

# 04 Ölgebläsebrenner

VKO unit 17 ... 42

VKO unit 17/2 ... 42/2



04-04-002 JV

# 04 Ölgebläsebrenner

VKO unit 17 ... 42

VKO unit 17/2 ... 42/2

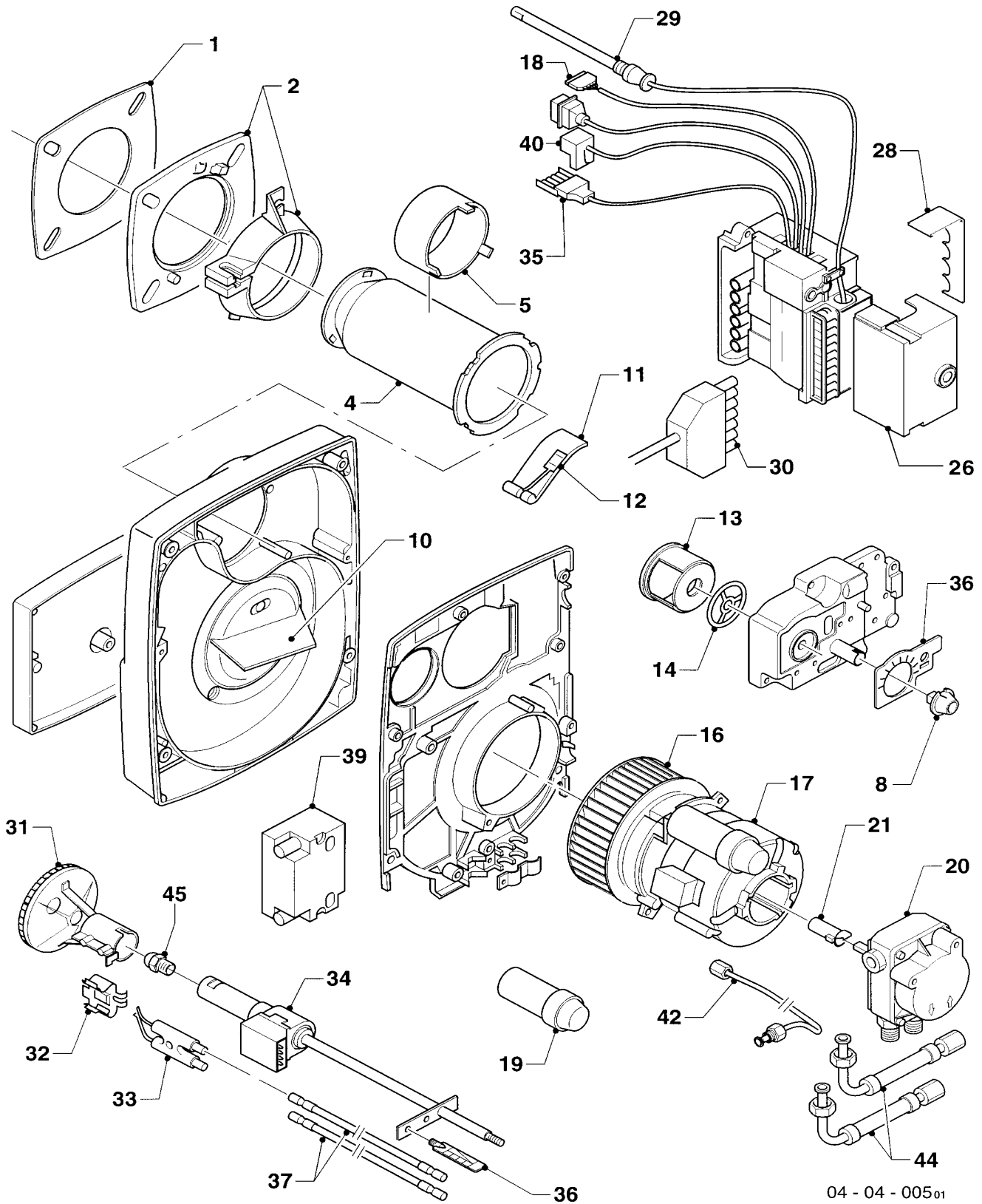
| Pos. | Teile-Nr. | Bezeichnung                       | mit Teilen | VKO unit 17 -/2 | VKO unit 22 -/2 | VKO unit 27 -/2 | VKO unit 35 -/2 | VKO unit 42 -/2 |  |  |  |  |  |  |  |  |  |  |  |
|------|-----------|-----------------------------------|------------|-----------------|-----------------|-----------------|-----------------|-----------------|--|--|--|--|--|--|--|--|--|--|--|
|      |           | 04-04-002                         |            |                 |                 |                 |                 |                 |  |  |  |  |  |  |  |  |  |  |  |
| 01   | 295075    | Spiralgehäuse, kpl.               |            | ●               | ●               | ●               | ●               | ●               |  |  |  |  |  |  |  |  |  |  |  |
| 02   | 209599    | Gehäusedeckel                     |            | ●               | ●               | ●               | ●               | ●               |  |  |  |  |  |  |  |  |  |  |  |
| 03   | 072380    | Ansaughaube, kpl.                 |            | ●               | ●               | ●               | ●               | ●               |  |  |  |  |  |  |  |  |  |  |  |
| 04   | 280241    | Verriegelungsklip                 |            | ●               | ●               | ●               | ●               | ●               |  |  |  |  |  |  |  |  |  |  |  |
| 05   | 190016    | Luftklappe, kpl.                  |            | ●               | ●               | ●               | ●               | ●               |  |  |  |  |  |  |  |  |  |  |  |
| 05a  | 190013    | Luftklappe, kpl.                  |            | ●               | ●               | ●               | ●               | ●               |  |  |  |  |  |  |  |  |  |  |  |
| 06   | 250116    | Elektromotor                      |            | ●               | ●               | ●               | ●               | ●               |  |  |  |  |  |  |  |  |  |  |  |
| 07   | 190148    | Gebälserad                        |            | ●               | ●               | ●               | ●               | ●               |  |  |  |  |  |  |  |  |  |  |  |
| 08   | 284510    | Schlauchkupplung, kpl.            |            | ●               | ●               | ●               | ●               | ●               |  |  |  |  |  |  |  |  |  |  |  |
| 09   | 100571    | Öl-Feuerungsautomat               |            | ●               | ●               | ●               |                 |                 |  |  |  |  |  |  |  |  |  |  |  |
| 09   | 100573    | Öl-Feuerungsautomat               |            |                 |                 |                 | ●               | ●               |  |  |  |  |  |  |  |  |  |  |  |
| 10   | 255753    | Verdrahtungseinheit, kpl.         |            | ●               | ●               | ●               |                 |                 |  |  |  |  |  |  |  |  |  |  |  |
| 10   | 255754    | Verdrahtungseinheit, kpl.         |            |                 |                 |                 | ●               | ●               |  |  |  |  |  |  |  |  |  |  |  |
| 11   | 161094    | Ölpumpe                           |            | ●               | ●               | ●               |                 |                 |  |  |  |  |  |  |  |  |  |  |  |
| 11   | 161095    | Ölpumpe                           |            |                 |                 |                 | ●               | ●               |  |  |  |  |  |  |  |  |  |  |  |
| 13   | 084133    | Ölschlauchleitung (rot)           |            | ●               | ●               | ●               | ●               | ●               |  |  |  |  |  |  |  |  |  |  |  |
| 13   | 084134    | Ölschlauchleitung (blau)          |            | ●               | ●               | ●               | ●               | ●               |  |  |  |  |  |  |  |  |  |  |  |
| 14   | 980998    | Dichtung                          |            | ●               | ●               | ●               | ●               | ●               |  |  |  |  |  |  |  |  |  |  |  |
| 15   | 080847    | Ölleitung                         |            | ●               | ●               | ●               | ●               | ●               |  |  |  |  |  |  |  |  |  |  |  |
| 16   | 210976    | Durchführungstülle                |            | ●               | ●               | ●               | ●               | ●               |  |  |  |  |  |  |  |  |  |  |  |
| 17   | 980354    | Dichtring                         |            | ●               | ●               | ●               | ●               | ●               |  |  |  |  |  |  |  |  |  |  |  |
| 18   | 136374    | Einschraubnippel                  |            | ●               | ●               | ●               | ●               | ●               |  |  |  |  |  |  |  |  |  |  |  |
| 19   | 253522    | Infrarot-Flackerdetektor          |            | ●               | ●               | ●               | ●               | ●               |  |  |  |  |  |  |  |  |  |  |  |
| 20   | 091248    | Zündtransformator                 |            | ●               | ●               | ●               | ●               | ●               |  |  |  |  |  |  |  |  |  |  |  |
| 21   | 091529    | Zündkabel                         |            | ●               | ●               | ●               | ●               | ●               |  |  |  |  |  |  |  |  |  |  |  |
| 22   | 091530    | Zündkabel                         |            | ●               | ●               | ●               | ●               | ●               |  |  |  |  |  |  |  |  |  |  |  |
| 23   | 066813    | Düsenstock-Ölvorwärmer            |            | ●               | ●               | ●               | ●               | ●               |  |  |  |  |  |  |  |  |  |  |  |
| 24   | 240705    | Ölbrennerdüse (0,40 Gph 60 GR-SF) |            | ●               |                 |                 |                 |                 |  |  |  |  |  |  |  |  |  |  |  |
| 24   | 240706    | Ölbrennerdüse (0,50 Gph 60 GR-SF) |            |                 | ●               |                 |                 |                 |  |  |  |  |  |  |  |  |  |  |  |
| 24   | 240707    | Ölbrennerdüse (0,65 Gph 60 GR-SF) |            |                 |                 | ●               |                 |                 |  |  |  |  |  |  |  |  |  |  |  |
| 24   | 240708    | Ölbrennerdüse (0,85 Gph 60 GR-SF) |            |                 |                 |                 | ●               |                 |  |  |  |  |  |  |  |  |  |  |  |
| 24   | 240709    | Ölbrennerdüse (1,00 Gph 60 GR-SF) |            |                 |                 |                 |                 | ●               |  |  |  |  |  |  |  |  |  |  |  |
| 25   | 090698    | Doppelzündelektrode               |            | ●               | ●               | ●               | ●               | ●               |  |  |  |  |  |  |  |  |  |  |  |
| 26   | 195807    | Stauscheibengruppe                |            | ●               | ●               | ●               | ●               | ●               |  |  |  |  |  |  |  |  |  |  |  |
| 27   | 132721    | Brennerrohr                       |            | ●               | ●               | ●               | ●               | ●               |  |  |  |  |  |  |  |  |  |  |  |
| 28   | 980999    | Brennerdichtung                   |            | ●               | ●               | ●               | ●               | ●               |  |  |  |  |  |  |  |  |  |  |  |
| 29   | 185094    | Brennerplatte/Adapter             |            | ●               | ●               | ●               | ●               | ●               |  |  |  |  |  |  |  |  |  |  |  |

Änderungen vorbehalten!

Die Bruttopreise entnehmen Sie bitte der jeweils gültigen Preisliste.

# 04 Ölgebläsebrenner

VKO unit 17/3 ... 38/3



04 - 04 - 005 01

# 04 Ölgebläsebrenner

VKO unit 17/3 ... 38/3

| Pos. | Teile-Nr. | Bezeichnung   | mit Teilen | VKO unit 17/3 | VKO unit 22/3 | VKO unit 27/3 | VKO unit 33/3 | VKO unit 38/3 |  |  |  |  |  |  |  |  |  |  |  |  |
|------|-----------|---|------------|---------------|---------------|---------------|---------------|---------------|--|--|--|--|--|--|--|--|--|--|--|--|
|      |           | 04-04-005   |            |               |               |               |               |               |  |  |  |  |  |  |  |  |  |  |  |  |
| 01   | 980657    | Formdichtung (Isolierflansch)   |            | ●             | ●             | ●             |               |               |  |  |  |  |  |  |  |  |  |  |  |  |
| 01   | 980658    | Formdichtung (Isolierflansch)   |            |               |               |               | ●             | ●             |  |  |  |  |  |  |  |  |  |  |  |  |
| 01   | 158357    | Dichtschnur<br>(nicht dargestellt)  |            | ●             | ●             | ●             |               |               |  |  |  |  |  |  |  |  |  |  |  |  |
| 01   | 158358    | Dichtschnur<br>(nicht dargestellt)  |            |               |               |               | ●             | ●             |  |  |  |  |  |  |  |  |  |  |  |  |
| 02   | 088113    | Flansch, kpl.   |            | ●             | ●             | ●             |               |               |  |  |  |  |  |  |  |  |  |  |  |  |
| 02   | 088114    | Flansch, kpl.   |            |               |               |               | ●             | ●             |  |  |  |  |  |  |  |  |  |  |  |  |
| 04   | 289316    | Flammenführung /-rohr   |            | ●             | ●             | ●             |               |               |  |  |  |  |  |  |  |  |  |  |  |  |
| 04   | 289317    | Flammenführung /-rohr   |            |               |               |               | ●             | ●             |  |  |  |  |  |  |  |  |  |  |  |  |
| 05   | 289318    | Flammrohr (Vorsatzrohr)   |            | ●             | ●             | ●             |               |               |  |  |  |  |  |  |  |  |  |  |  |  |
| 08   | 143821    | Knopf (Man. Luftklappenantrieb)   |            | ●             | ●             | ●             | ●             | ●             |  |  |  |  |  |  |  |  |  |  |  |  |
| 10   | 079434    | Luftführung (-rezirkulation)  |            | ●             | ●             | ●             | ●             | ●             |  |  |  |  |  |  |  |  |  |  |  |  |
| 11   | 190017    | Luftklappe  |            | ●             | ●             | ●             | ●             | ●             |  |  |  |  |  |  |  |  |  |  |  |  |
| 12   | 190018    | Luftklappe -Feder   |            | ●             | ●             | ●             | ●             | ●             |  |  |  |  |  |  |  |  |  |  |  |  |
| 13   | 140808    | Luftsteuerteil (-regulierung)   |            | ●             | ●             | ●             | ●             | ●             |  |  |  |  |  |  |  |  |  |  |  |  |
| 14   | 140809    | Luftsteuerteil -Feder   |            | ●             | ●             | ●             | ●             | ●             |  |  |  |  |  |  |  |  |  |  |  |  |
| 16   | 190180    | Gebälserad (D 133 x 40)   |            | ●             | ●             | ●             | ●             | ●             |  |  |  |  |  |  |  |  |  |  |  |  |
| 17   | 255026    | Motor 110 W (mit Kondensator)   | 19         | ●             | ●             | ●             | ●             | ●             |  |  |  |  |  |  |  |  |  |  |  |  |
| 18   | 262611    | Stecker, 3-polig für Motor  |            | ●             | ●             | ●             | ●             | ●             |  |  |  |  |  |  |  |  |  |  |  |  |
| 19   | 257303    | Kondensator 4uF, 400 V  |            | ●             | ●             | ●             | ●             | ●             |  |  |  |  |  |  |  |  |  |  |  |  |
| 20   | 160915    | Pumpe (Ölpumpe AE 45 C 1301 1P)<br>Ersatz für Ölpumpe Typ AE 45 C 1392<br>(Einsatz bis Baujahr 09/98) |            | ●             | ●             | ●             | ●             | ●             |  |  |  |  |  |  |  |  |  |  |  |  |
| 20   | 153037    | Filter-Einsatz für Ölpumpe AE 45 C 1392<br>(nicht dargestellt)  |            | ●             | ●             | ●             | ●             | ●             |  |  |  |  |  |  |  |  |  |  |  |  |
| 20   | 980659    | Dichtung Ölpump.deck.AE45C1392<br>(nicht dargestellt)   |            | ●             | ●             | ●             | ●             | ●             |  |  |  |  |  |  |  |  |  |  |  |  |
| 21   | 284511    | Kupplung für Ölpumpe  |            | ●             | ●             | ●             | ●             | ●             |  |  |  |  |  |  |  |  |  |  |  |  |
| 26   | 251641    | Ölfeuerungsautomat (Relais LOA 24)  |            | ●             | ●             | ●             | ●             | ●             |  |  |  |  |  |  |  |  |  |  |  |  |
| 28   | 087174    | Halter (Stopfbuchsen-)  |            | ●             | ●             | ●             | ●             | ●             |  |  |  |  |  |  |  |  |  |  |  |  |
| 29   | 254502    | Widerstand / Fotozelle QRB1B L118   |            | ●             | ●             | ●             | ●             | ●             |  |  |  |  |  |  |  |  |  |  |  |  |
| 30   | 252613    | Stecker, kpl. (7-polig)   |            | ●             | ●             | ●             | ●             | ●             |  |  |  |  |  |  |  |  |  |  |  |  |
| 31   | 195812    | Stauplatte /-scheibe (Turbulator)   |            | ●             | ●             | ●             |               |               |  |  |  |  |  |  |  |  |  |  |  |  |
| 31   | 195813    | Stauplatte /-scheibe (Turbulator)   |            |               |               |               | ●             | ●             |  |  |  |  |  |  |  |  |  |  |  |  |
| 32   | 087183    | Halter für Elektrode  |            | ●             | ●             | ●             | ●             | ●             |  |  |  |  |  |  |  |  |  |  |  |  |
| 33   | 090712    | Elektrode (Zündung) blau  |            | ●             | ●             | ●             | ●             | ●             |  |  |  |  |  |  |  |  |  |  |  |  |
| 34   | 285654    | Düsenstock /-gestänge   |            | ●             | ●             | ●             | ●             | ●             |  |  |  |  |  |  |  |  |  |  |  |  |
| 35   | 262612    | Stecker 5-polig   |            | ●             | ●             | ●             | ●             | ●             |  |  |  |  |  |  |  |  |  |  |  |  |
| 36   | 208466    | Blende (Einstellskala)  |            | ●             | ●             | ●             | ●             | ●             |  |  |  |  |  |  |  |  |  |  |  |  |
| 37   | 091539    | Zündkabel   |            | ●             | ●             | ●             | ●             | ●             |  |  |  |  |  |  |  |  |  |  |  |  |
| 39   | 091254    | Zündtransformator   |            | ●             | ●             | ●             | ●             | ●             |  |  |  |  |  |  |  |  |  |  |  |  |
| 40   | 081223    | Anschlusskabel (Zündtrafo)  |            | ●             | ●             | ●             | ●             | ●             |  |  |  |  |  |  |  |  |  |  |  |  |
| 42   | 093869    | Rohr, kpl.  |            | ●             | ●             | ●             | ●             | ●             |  |  |  |  |  |  |  |  |  |  |  |  |
| 44   | 097004    | Anschluss/Ölschlauch L=1,4 m  |            | ●             | ●             | ●             | ●             | ●             |  |  |  |  |  |  |  |  |  |  |  |  |
| 45   | 240714    | Ölbrennerdüse (0,40 Gph 60 GR-HF)   |            | ●             |               |               |               |               |  |  |  |  |  |  |  |  |  |  |  |  |
| 45   | 240715    | Ölbrennerdüse (0,55 Gph 45 GR-HF)   |            |               | ●             |               |               |               |  |  |  |  |  |  |  |  |  |  |  |  |
| 45   | 240716    | Ölbrennerdüse (0,65 Gph 45 GR-HF)   |            |               |               | ●             |               |               |  |  |  |  |  |  |  |  |  |  |  |  |
| 45   | 240717    | Ölbrennerdüse (0,85 Gph 45 GR-HF)   |            |               |               |               | ●             |               |  |  |  |  |  |  |  |  |  |  |  |  |
| 45   | 240718    | Ölbrennerdüse (1,00 Gph 45 GR-HF)   |            |               |               |               |               | ●             |  |  |  |  |  |  |  |  |  |  |  |  |

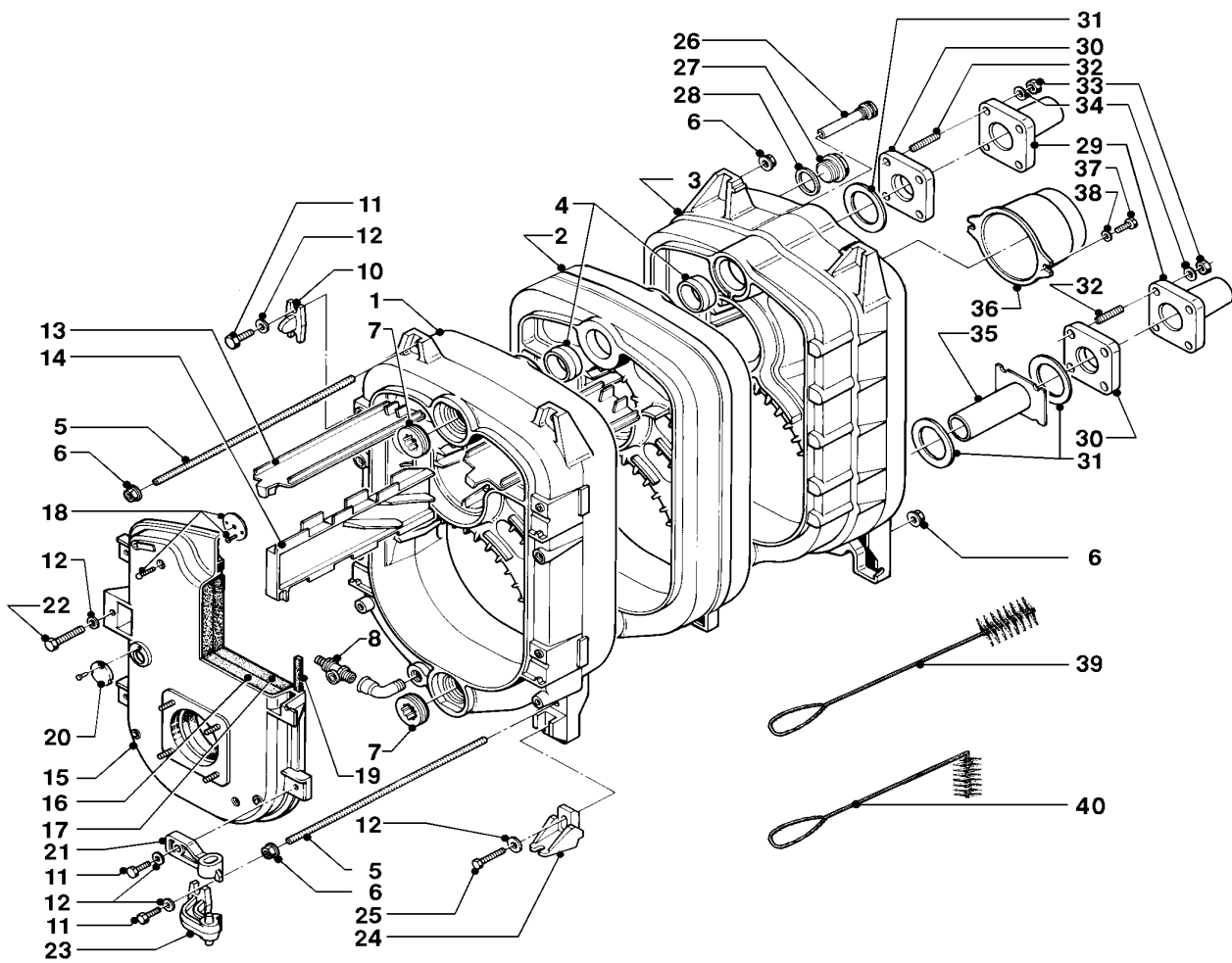
Änderungen vorbehalten!

Die Bruttopreise entnehmen Sie bitte der jeweils gültigen Preisliste.

# 06 Kesselblock

VKO unit 17 ... 42, VKO 22 ... 70

VKO unit 17/2 ... 42/2, VKO 22/2 ... 70/2



04-06-002 JV

## 06 Kesselblock

VKO unit 17 ... 42, VKO 22 ... 70

VKO unit 17/2 ... 42/2, VKO 22/2 ... 70/2

| Pos. | Teile-Nr. | Bezeichnung                          | mit Teilen | 17 kW | 22 kW | 27 kW | 35 kW | 42 kW | 55 kW | 70 kW |  |  |  |  |  |  |  |  |  |  |
|------|-----------|--------------------------------------|------------|-------|-------|-------|-------|-------|-------|-------|--|--|--|--|--|--|--|--|--|--|
|      |           | 04-06-002                            |            |       |       |       |       |       |       |       |  |  |  |  |  |  |  |  |  |  |
| 01   | 062472    | Vorderglied                          |            | ●     | ●     | ●     | ●     | ●     | ●     | ●     |  |  |  |  |  |  |  |  |  |  |
| 02   | 062473    | Mittelglied                          |            |       |       |       | 1     | 1     | 2     | 3     |  |  |  |  |  |  |  |  |  |  |
| 03   | 062474    | Hinterglied                          |            | ●     | ●     | ●     | ●     | ●     | ●     | ●     |  |  |  |  |  |  |  |  |  |  |
| 04   | 061524    | Kesselnippel                         |            | ●     | ●     | ●     | ●     | ●     | ●     | ●     |  |  |  |  |  |  |  |  |  |  |
| 05   | 062287    | Ankerstange, kpl.                    |            | ●     | ●     | ●     |       |       |       |       |  |  |  |  |  |  |  |  |  |  |
| 05   | 060264    | Ankerstange, kpl.                    |            |       |       |       | ●     | ●     |       |       |  |  |  |  |  |  |  |  |  |  |
| 05   | 062289    | Ankerstange, kpl.                    |            |       |       |       |       |       | ●     |       |  |  |  |  |  |  |  |  |  |  |
| 05   | -         | Ankerstange ist nicht mehr lieferbar |            |       |       |       |       |       |       | ○     |  |  |  |  |  |  |  |  |  |  |
| 06   | 114885    | Sechskantmutter                      |            | ●     | ●     | ●     | ●     | ●     | ●     | ●     |  |  |  |  |  |  |  |  |  |  |
| 06   | 191325    | Scheibe (nicht dargestellt)          |            | ●     | ●     | ●     | ●     | ●     | ●     | ●     |  |  |  |  |  |  |  |  |  |  |
| 07   | 139445    | Stopfen                              |            | ●     | ●     | ●     | ●     | ●     | ●     | ●     |  |  |  |  |  |  |  |  |  |  |
| 08   | 082225    | K.F.E.-Hahn                          |            | ●     | ●     | ●     | ●     | ●     | ●     | ●     |  |  |  |  |  |  |  |  |  |  |
| 10   | 287033    | Nocken                               |            | ●     | ●     | ●     | ●     | ●     | ●     | ●     |  |  |  |  |  |  |  |  |  |  |
| 11   | 490090    | Sechskantschraube                    |            | ●     | ●     | ●     | ●     | ●     | ●     | ●     |  |  |  |  |  |  |  |  |  |  |
| 12   | 191325    | Scheibe                              |            | ●     | ●     | ●     | ●     | ●     | ●     | ●     |  |  |  |  |  |  |  |  |  |  |
| 13   | 213223    | Wirbulator                           |            |       |       | 2     |       |       |       |       |  |  |  |  |  |  |  |  |  |  |
| 13   | 213224    | Wirbulator                           |            |       |       |       |       | 2     |       |       |  |  |  |  |  |  |  |  |  |  |
| 13   | 213226    | Wirbulator                           |            |       |       |       |       |       |       | 2     |  |  |  |  |  |  |  |  |  |  |
| 14   | 213227    | Wirbulator<br>(22 kW nur Österreich) |            |       | ○     | ●     |       |       |       |       |  |  |  |  |  |  |  |  |  |  |
| 14   | 213228    | Wirbulator<br>(35 kW nur Österreich) |            |       |       |       | ○     | ●     |       |       |  |  |  |  |  |  |  |  |  |  |
| 14   | 213229    | Wirbulator                           |            |       |       |       |       |       | ●     |       |  |  |  |  |  |  |  |  |  |  |
| 14   | 213230    | Wirbulator                           |            |       |       |       |       |       |       | ●     |  |  |  |  |  |  |  |  |  |  |
| 15   | 068422    | Brennertüre                          |            | ●     | ●     | ●     | ●     | ●     | ●     | ●     |  |  |  |  |  |  |  |  |  |  |
| 16   | 076370    | Isolierung                           |            | ●     | ●     | ●     | ●     | ●     | ●     | ●     |  |  |  |  |  |  |  |  |  |  |
| 17   | 210688    | Isolierplatte                        |            | ●     | ●     | ●     | ●     | ●     | ●     | ●     |  |  |  |  |  |  |  |  |  |  |
| 18   | 088638    | Befestigungsteile                    |            | ●     | ●     | ●     | ●     | ●     | ●     | ●     |  |  |  |  |  |  |  |  |  |  |
| 19   | 158349    | Dichtschnur                          |            | ●     | ●     | ●     | ●     | ●     | ●     | ●     |  |  |  |  |  |  |  |  |  |  |
| 20   | 076076    | Schaulochdeckel, kpl.                |            | ●     | ●     | ●     | ●     | ●     | ●     | ●     |  |  |  |  |  |  |  |  |  |  |
| 21   | 088016    | Scharnier                            |            | ●     | ●     | ●     | ●     | ●     | ●     | ●     |  |  |  |  |  |  |  |  |  |  |
| 22   | 869135    | Sechskantschraube M 10x80            |            | ●     | ●     | ●     | ●     | ●     | ●     | ●     |  |  |  |  |  |  |  |  |  |  |
| 23   | 086492    | Türaufhängung                        |            | ●     | ●     | ●     | ●     | ●     | ●     | ●     |  |  |  |  |  |  |  |  |  |  |
| 24   | 071941    | Kesselfuß                            |            | ●     | ●     | ●     | ●     | ●     | ●     | ●     |  |  |  |  |  |  |  |  |  |  |
| 25   | 869133    | Sechskantschraube M 10x60            |            | ●     | ●     | ●     | ●     | ●     | ●     | ●     |  |  |  |  |  |  |  |  |  |  |
| 26   | 060517    | Fühlerrohr                           |            | ●     | ●     | ●     | ●     | ●     | ●     | ●     |  |  |  |  |  |  |  |  |  |  |
| 27   | 139446    | Stopfen                              |            | ●     | ●     | ●     | ●     | ●     | ●     | ●     |  |  |  |  |  |  |  |  |  |  |
| 28   | 980210    | Dichtung                             |            | ●     | ●     | ●     | ●     | ●     | ●     | ●     |  |  |  |  |  |  |  |  |  |  |
| 29   | 080841    | Anschlussstutzen                     |            | ●     | ●     | ●     | ●     | ●     |       |       |  |  |  |  |  |  |  |  |  |  |
| 30   | 080842    | Anschlussstutzen                     |            |       |       |       |       |       | ●     | ●     |  |  |  |  |  |  |  |  |  |  |
| 31   | 981769    | Gummidichtung                        |            | ●     | ●     | ●     | ●     | ●     | ●     | ●     |  |  |  |  |  |  |  |  |  |  |
| 32   | 127946    | Stiftschraube                        |            | ●     | ●     | ●     | ●     | ●     | ●     | ●     |  |  |  |  |  |  |  |  |  |  |
| 33   | 114884    | Sechskantmutter                      |            | ●     | ●     | ●     | ●     | ●     | ●     | ●     |  |  |  |  |  |  |  |  |  |  |
| 34   | 191413    | Scheibe                              |            | ●     | ●     | ●     | ●     | ●     | ●     | ●     |  |  |  |  |  |  |  |  |  |  |
| 35   | 184047    | Wasserverteilerrohr                  |            |       |       |       |       |       | ●     | ●     |  |  |  |  |  |  |  |  |  |  |
| 36   | 077066    | Abgasstutzen                         |            | ●     | ●     | ●     | ●     | ●     |       |       |  |  |  |  |  |  |  |  |  |  |
| 36   | 077067    | Abgasstutzen                         |            |       |       |       |       |       | ●     | ●     |  |  |  |  |  |  |  |  |  |  |
| 37   | 869163    | Sechskantschraube M 8x20             |            | ●     | ●     | ●     | ●     | ●     | ●     | ●     |  |  |  |  |  |  |  |  |  |  |
| 38   | 070027    | Scheibe                              |            | ●     | ●     | ●     | ●     | ●     | ●     | ●     |  |  |  |  |  |  |  |  |  |  |
| 39   | 990327    | Kesselbürste                         |            | ●     | ●     | ●     | ●     | ●     | ●     | ●     |  |  |  |  |  |  |  |  |  |  |
| 40   | 990330    | Kesselbürste                         |            | ●     | ●     | ●     | ●     | ●     | ●     | ●     |  |  |  |  |  |  |  |  |  |  |

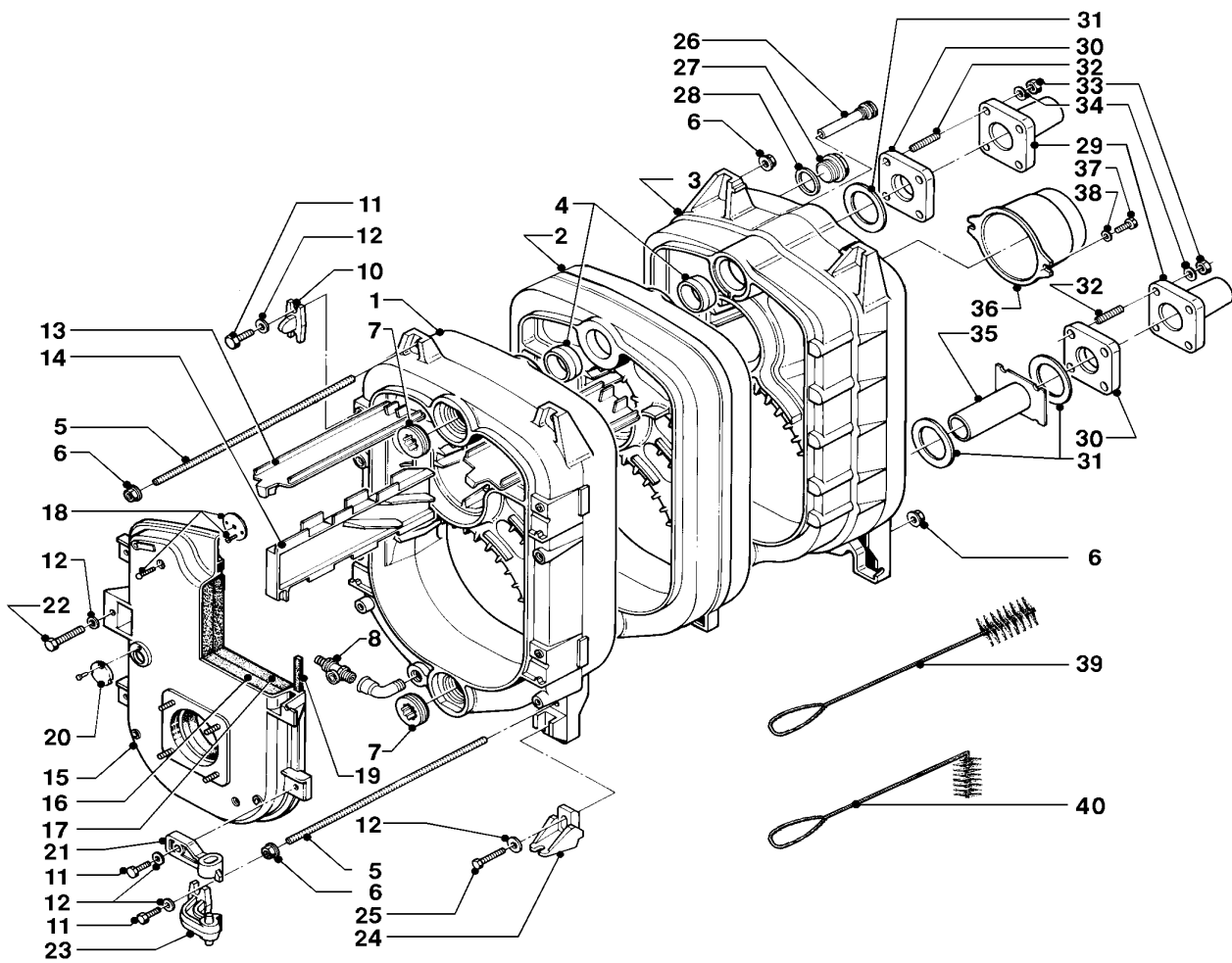
Änderungen vorbehalten!

Die Bruttopreise entnehmen Sie bitte der jeweils gültigen Preisliste.



# 06 Kesselblock

VKO unit 17/3 ... 38/3, VKO 22/3 ... 70/3



04-06-002 JV

# 06 Kesselblock

VKO unit 17/3 ... 38/3, VKO 22/3 ... 70/3

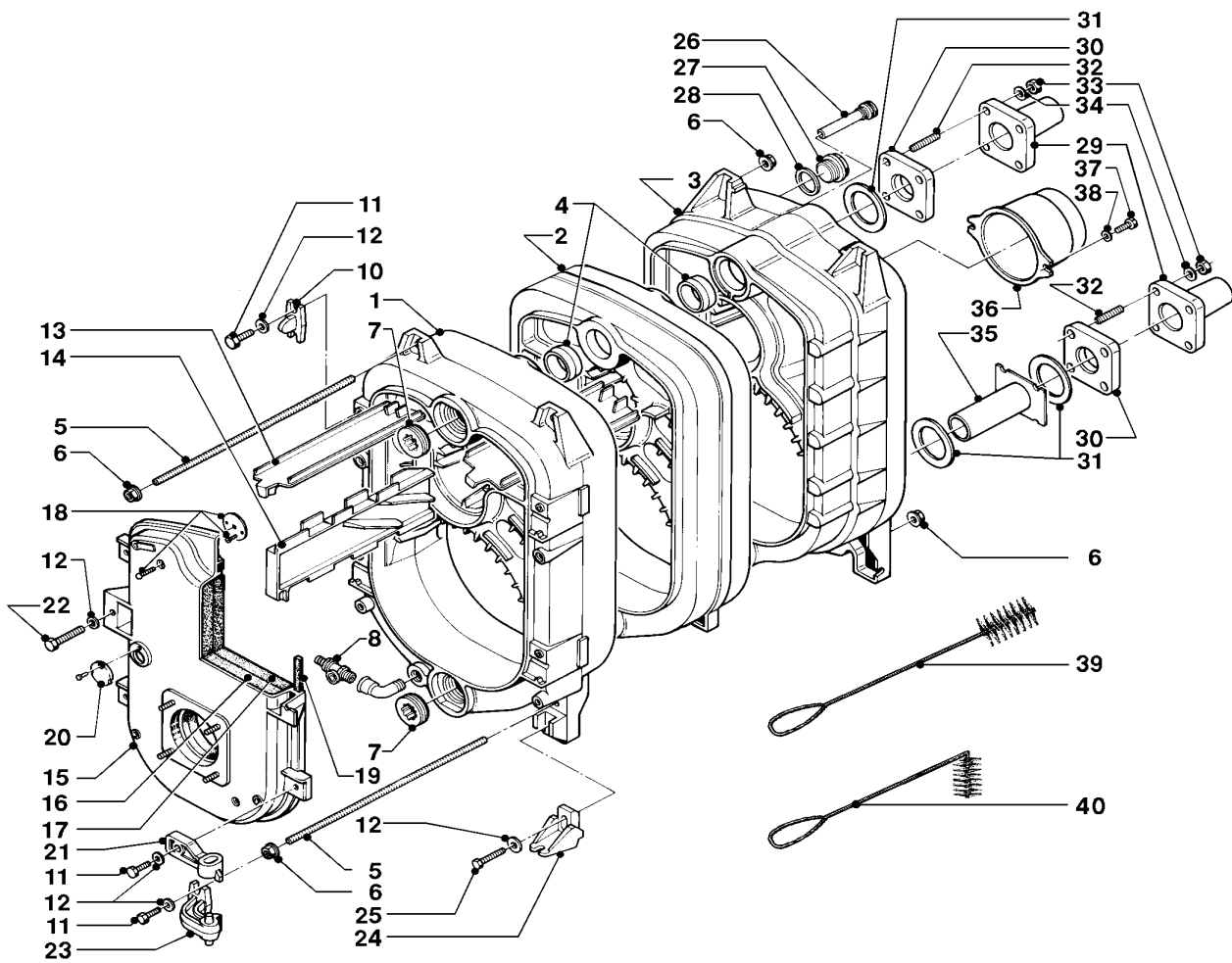
| Pos. | Teile-Nr. | Bezeichnung   | mit Teilen | 17 kW | 22 kW | 27 kW | 33/35 kW | 38/42 kW | 55 kW | 70 kW |  |  |  |  |  |  |  |  |  |   |
|------|-----------|---|------------|-------|-------|-------|----------|----------|-------|-------|--|--|--|--|--|--|--|--|--|---|
|      |           |   |            |       |       |       |          |          |       |       |  |  |  |  |  |  |  |  |  |   |
|      |           | 04-06-002   |            |       |       |       |          |          |       |       |  |  |  |  |  |  |  |  |  |   |
| 01   | 062472    | Vorderglied   |            | ●     | ●     | ●     | ●        | ●        | ●     | ●     |  |  |  |  |  |  |  |  |  |   |
| 02   | 062473    | Mittelglied   |            |       |       |       | 1        | 1        | 2     | 3     |  |  |  |  |  |  |  |  |  |   |
| 03   | 062474    | Hinterglied   |            | ●     | ●     | ●     | ●        | ●        | ●     | ●     |  |  |  |  |  |  |  |  |  |   |
| 04   | 061524    | Kesselnippel  |            | ●     | ●     | ●     | ●        | ●        | ●     | ●     |  |  |  |  |  |  |  |  |  |   |
| 05   | 062287    | Ankerstange, kpl.   |            | ●     | ●     | ●     |          |          |       |       |  |  |  |  |  |  |  |  |  |   |
| 05   | 060264    | Ankerstange, kpl.   |            |       |       |       | ●        | ●        |       |       |  |  |  |  |  |  |  |  |  |   |
| 05   | 062289    | Ankerstange, kpl.   |            |       |       |       |          |          | ●     |       |  |  |  |  |  |  |  |  |  |   |
| 05   | -         | Ankerstange ist nicht mehr lieferbar  |            |       |       |       |          |          |       |       |  |  |  |  |  |  |  |  |  | ○ |
| 06   | 114885    | Sechskantmutter   |            | ●     | ●     | ●     | ●        | ●        | ●     | ●     |  |  |  |  |  |  |  |  |  |   |
| 06   | 191325    | Scheibe (nicht dargestellt)   |            | ●     | ●     | ●     | ●        | ●        | ●     | ●     |  |  |  |  |  |  |  |  |  |   |
| 07   | 139445    | Stopfen   |            | ●     | ●     | ●     | ●        | ●        | ●     | ●     |  |  |  |  |  |  |  |  |  |   |
| 08   | 082225    | K.F.E.-Hahn   |            | ●     | ●     | ●     | ●        | ●        | ●     | ●     |  |  |  |  |  |  |  |  |  |   |
| 10   | 287033    | Nocken  |            | ●     | ●     | ●     | ●        | ●        | ●     | ●     |  |  |  |  |  |  |  |  |  |   |
| 11   | 490090    | Sechskantschraube   |            | ●     | ●     | ●     | ●        | ●        | ●     | ●     |  |  |  |  |  |  |  |  |  |   |
| 12   | 191325    | Scheibe   |            | ●     | ●     | ●     | ●        | ●        | ●     | ●     |  |  |  |  |  |  |  |  |  |   |
| 13   | 153408    | Leitblech (links oben)<br>Edelstahl-Ausführung (nicht dargestellt)                                      |            | ●     | ●     |       |          |          |       |       |  |  |  |  |  |  |  |  |  |   |
| 13   | 153411    | Leitblech (rechts oben)<br>Edelstahl-Ausführung (nicht dargestellt)                                     |            | ●     | ●     |       |          |          |       |       |  |  |  |  |  |  |  |  |  |   |
| 13   | 153408    | Leitblech (links oben)<br>Edelstahl-Ausführung (nicht dargestellt)                                      |            |       |       | ●     |          |          |       |       |  |  |  |  |  |  |  |  |  |   |
| 13   | 153411    | Leitblech (rechts oben)<br>Edelstahl-Ausführung (nicht dargestellt)                                     |            |       |       | ●     |          |          |       |       |  |  |  |  |  |  |  |  |  |   |
| 13   | 153409    | Leitblech<br>Edelstahl-Ausführung (nicht dargestellt)<br>Bedarf je Kessel: 2 Stück                      |            |       |       | 2     |          |          |       |       |  |  |  |  |  |  |  |  |  |   |
| 13   | 153405    | Leitblech (links oben)<br>Edelstahl-Ausführung (nicht dargestellt)                                      |            |       |       |       |          | ●        |       |       |  |  |  |  |  |  |  |  |  |   |
| 13   | 153410    | Leitblech (rechts oben)<br>Edelstahl-Ausführung (nicht dargestellt)                                     |            |       |       |       |          | ●        |       |       |  |  |  |  |  |  |  |  |  |   |
| 13   | 153404    | Leitblech (lks. und re. unten)<br>Edelstahl-Ausführung (nicht dargestellt)<br>Bedarf je Kessel: 2 Stück |            |       |       |       |          | 2        |       |       |  |  |  |  |  |  |  |  |  |   |
| 13   | 213226    | Wirbulator  |            |       |       |       |          |          |       | 2     |  |  |  |  |  |  |  |  |  |   |
| 14   | 153407    | Leitblech (Mitte)<br>Edelstahl-Ausführung (nicht dargestellt)   |            | ●     | ●     | ●     |          |          |       |       |  |  |  |  |  |  |  |  |  |   |
| 14   | 153406    | Leitblech<br>Edelstahl-Ausführung (nicht dargestellt)   |            |       |       |       | ●        | ●        |       |       |  |  |  |  |  |  |  |  |  |   |
| 14   | 213229    | Wirbulator  |            |       |       |       |          |          | ●     |       |  |  |  |  |  |  |  |  |  |   |
| 14   | 213230    | Wirbulator  |            |       |       |       |          |          |       | ●     |  |  |  |  |  |  |  |  |  |   |
| 15   | 068422    | Brennertüre   |            | ●     | ●     | ●     | ●        | ●        | ●     | ●     |  |  |  |  |  |  |  |  |  |   |
| 16   | 076370    | Isolierung  |            | ●     | ●     | ●     | ●        | ●        | ●     | ●     |  |  |  |  |  |  |  |  |  |   |
| 17   | 210688    | Isolierplatte   |            | ●     | ●     | ●     | ●        | ●        | ●     | ●     |  |  |  |  |  |  |  |  |  |   |
| 18   | 088638    | Befestigungsteile   |            | ●     | ●     | ●     | ●        | ●        | ●     | ●     |  |  |  |  |  |  |  |  |  |   |
| 19   | 158349    | Dichtschnur   |            | ●     | ●     | ●     | ●        | ●        | ●     | ●     |  |  |  |  |  |  |  |  |  |   |
| 20   | 076076    | Schaulochdeckel, kpl.   |            | ●     | ●     | ●     | ●        | ●        | ●     | ●     |  |  |  |  |  |  |  |  |  |   |
| 21   | 088016    | Scharnier   |            | ●     | ●     | ●     | ●        | ●        | ●     | ●     |  |  |  |  |  |  |  |  |  |   |
| 22   | 869135    | Sechskantschraube M 10x80   |            | ●     | ●     | ●     | ●        | ●        | ●     | ●     |  |  |  |  |  |  |  |  |  |   |
| 23   | 086492    | Türaufhängung   |            | ●     | ●     | ●     | ●        | ●        | ●     | ●     |  |  |  |  |  |  |  |  |  |   |
| 24   | 071941    | Kesselfuß   |            | ●     | ●     | ●     | ●        | ●        | ●     | ●     |  |  |  |  |  |  |  |  |  |   |
| 25   | 869133    | Sechskantschraube M 10x60   |            | ●     | ●     | ●     | ●        | ●        | ●     | ●     |  |  |  |  |  |  |  |  |  |   |

Änderungen vorbehalten!

Die Bruttopreise entnehmen Sie bitte der jeweils gültigen Preisliste.

# 06 Kesselblock

VKO unit 17/3 ... 38/3, VKO 22/3 ... 70/3



04-06-002 JV

## 06 Kesselblock

VKO unit 17/3 ... 38/3, VKO 22/3 ... 70/3

| Pos. | Teile-Nr. | Bezeichnung              | mit Teilen | 17 kW | 22 kW | 27 kW | 33/35 kW | 38/42 kW | 55 kW | 70 kW |  |  |  |  |  |  |  |  |  |  |  |
|------|-----------|--------------------------|------------|-------|-------|-------|----------|----------|-------|-------|--|--|--|--|--|--|--|--|--|--|--|
|      |           |                          |            |       |       |       |          |          |       |       |  |  |  |  |  |  |  |  |  |  |  |
|      |           | 04-06-002                |            |       |       |       |          |          |       |       |  |  |  |  |  |  |  |  |  |  |  |
| 26   | 060517    | Fühlerrohr               |            | ●     | ●     | ●     | ●        | ●        | ●     | ●     |  |  |  |  |  |  |  |  |  |  |  |
| 27   | 139446    | Stopfen                  |            | ●     | ●     | ●     | ●        | ●        | ●     | ●     |  |  |  |  |  |  |  |  |  |  |  |
| 28   | 980210    | Dichtung                 |            | ●     | ●     | ●     | ●        | ●        | ●     | ●     |  |  |  |  |  |  |  |  |  |  |  |
| 29   | 080841    | Anschlussstutzen         |            | ●     | ●     | ●     | ●        | ●        |       |       |  |  |  |  |  |  |  |  |  |  |  |
| 30   | 080842    | Anschlussstutzen         |            |       |       |       |          |          | ●     | ●     |  |  |  |  |  |  |  |  |  |  |  |
| 31   | 981769    | Gummidichtung            |            | ●     | ●     | ●     | ●        | ●        | ●     | ●     |  |  |  |  |  |  |  |  |  |  |  |
| 32   | 127946    | Stiftschraube            |            | ●     | ●     | ●     | ●        | ●        | ●     | ●     |  |  |  |  |  |  |  |  |  |  |  |
| 33   | 114884    | Sechskantmutter          |            | ●     | ●     | ●     | ●        | ●        | ●     | ●     |  |  |  |  |  |  |  |  |  |  |  |
| 34   | 191413    | Scheibe                  |            | ●     | ●     | ●     | ●        | ●        | ●     | ●     |  |  |  |  |  |  |  |  |  |  |  |
| 35   | 184047    | Wasserverteilerrohr      |            |       |       |       |          |          | ●     | ●     |  |  |  |  |  |  |  |  |  |  |  |
| 36   | 077066    | Abgasstutzen             |            | ●     | ●     | ●     | ●        | ●        |       |       |  |  |  |  |  |  |  |  |  |  |  |
| 36   | 077067    | Abgasstutzen             |            |       |       |       |          |          | ●     | ●     |  |  |  |  |  |  |  |  |  |  |  |
| 37   | 869163    | Sechskantschraube M 8x20 |            | ●     | ●     | ●     | ●        | ●        | ●     | ●     |  |  |  |  |  |  |  |  |  |  |  |
| 38   | 070027    | Scheibe                  |            | ●     | ●     | ●     | ●        | ●        | ●     | ●     |  |  |  |  |  |  |  |  |  |  |  |
| 39   | 990327    | Kesselbürste             |            | ●     | ●     | ●     | ●        | ●        | ●     | ●     |  |  |  |  |  |  |  |  |  |  |  |
| 40   | 990330    | Kesselbürste             |            | ●     | ●     | ●     | ●        | ●        | ●     | ●     |  |  |  |  |  |  |  |  |  |  |  |

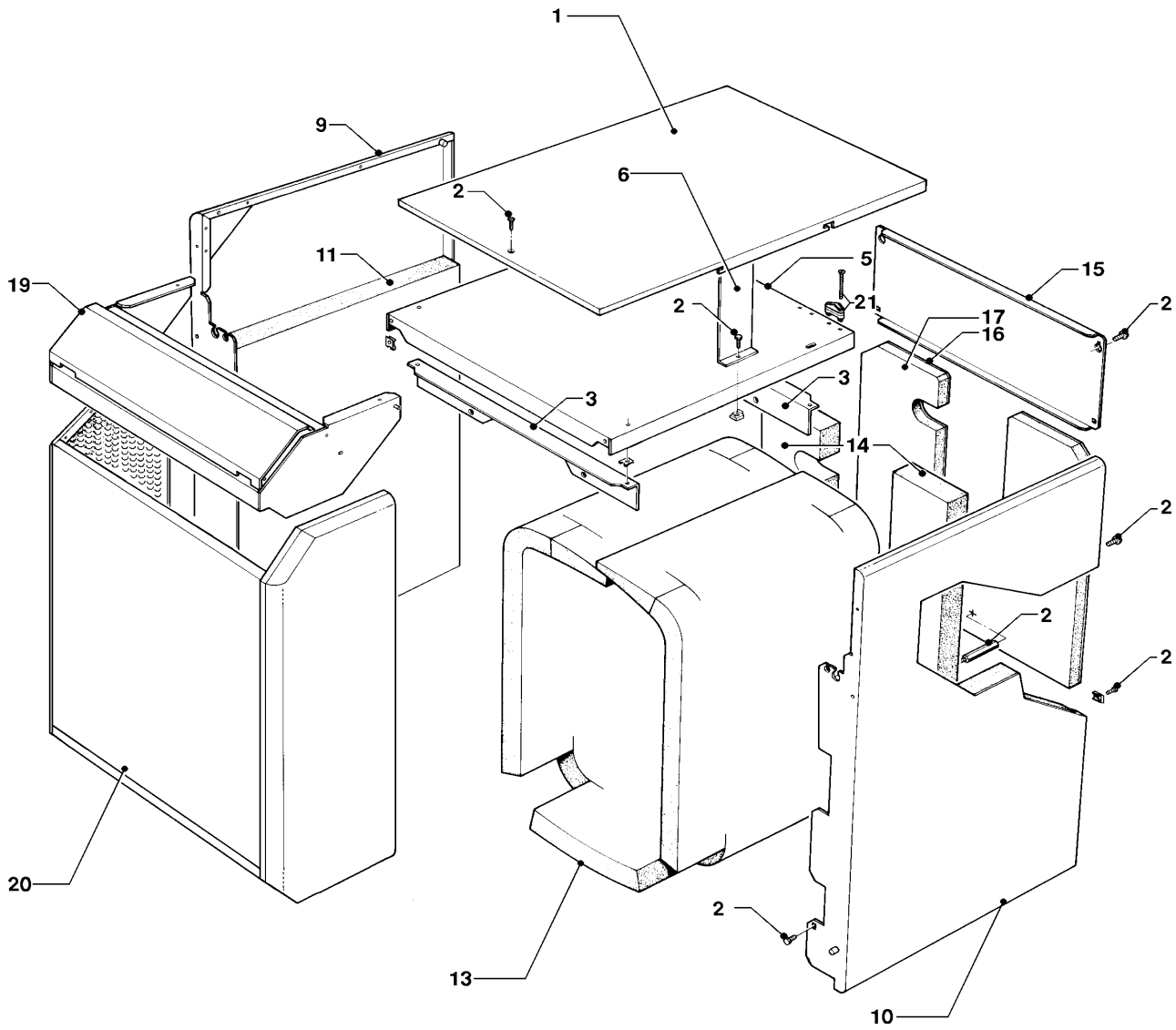
Änderungen vorbehalten!

Die Bruttopreise entnehmen Sie bitte der jeweils gültigen Preisliste.

# 07 Verkleidungsteile

VKO unit 17 ... 42

VKO unit 17/2 ... 42/2



04-07-001 JV

## 07 Verkleidungsteile

VKO unit 17 ... 42

VKO unit 17/2 ... 42/2

| Pos. | Teile-Nr. | Bezeichnung                            | mit Teilen | VKO unit 17 -/2 | VKO unit 22 -/2 | VKO unit 27 -/2 | VKO unit 35 -/2 | VKO unit 42 -/2 |  |  |  |  |  |  |  |  |  |  |  |
|------|-----------|--|------------|-----------------|-----------------|-----------------|-----------------|-----------------|--|--|--|--|--|--|--|--|--|--|--|
|      |           | 04-07-001                              |            |                 |                 |                 |                 |                 |  |  |  |  |  |  |  |  |  |  |  |
| 01   | 070402    | Abdeckblech                            |            | ●               | ●               | ●               |                 |                 |  |  |  |  |  |  |  |  |  |  |  |
| 01   | 070403    | Abdeckblech                            |            |                 |                 |                 | ●               | ●               |  |  |  |  |  |  |  |  |  |  |  |
| 02   | 085240    | Befestigungsteile                      |            | ●               | ●               | ●               | ●               | ●               |  |  |  |  |  |  |  |  |  |  |  |
| 03   | 072281    | Halteblech                             |            | ●               | ●               | ●               | ●               | ●               |  |  |  |  |  |  |  |  |  |  |  |
| 05   | 073246    | Montageblech                           |            | ●               | ●               | ●               | ●               | ●               |  |  |  |  |  |  |  |  |  |  |  |
| 06   | 086493    | Halteblech                             |            | ●               | ●               | ●               | ●               | ●               |  |  |  |  |  |  |  |  |  |  |  |
| 09   | 074701    | Seitenwand, links                      |            | ●               | ●               | ●               |                 |                 |  |  |  |  |  |  |  |  |  |  |  |
| 09   | 074702    | Seitenwand, links                      |            |                 |                 |                 | ●               | ●               |  |  |  |  |  |  |  |  |  |  |  |
| 10   | 074703    | Seitenwand, rechts                     |            | ●               | ●               | ●               |                 |                 |  |  |  |  |  |  |  |  |  |  |  |
| 10   | 074704    | Seitenwand, rechts                     |            |                 |                 |                 | ●               | ●               |  |  |  |  |  |  |  |  |  |  |  |
| 11   | 076376    | Wärmedämmung                           |            | ●               | ●               | ●               |                 |                 |  |  |  |  |  |  |  |  |  |  |  |
| 11   | 076377    | Wärmedämmung                           |            |                 |                 |                 | ●               | ●               |  |  |  |  |  |  |  |  |  |  |  |
| 13   | 076371    | Blockwärmedämmung                      |            | ●               | ●               | ●               |                 |                 |  |  |  |  |  |  |  |  |  |  |  |
| 13   | 076372    | Blockwärmedämmung                      |            |                 |                 |                 | ●               | ●               |  |  |  |  |  |  |  |  |  |  |  |
| 14   | 076378    | Wärmedämmung                           |            | ●               | ●               | ●               | ●               | ●               |  |  |  |  |  |  |  |  |  |  |  |
| 15   | 135036    | Rückwandblech, oben                    |            | ●               | ●               | ●               | ●               | ●               |  |  |  |  |  |  |  |  |  |  |  |
| 16   | 135037    | Rückwandblech, unten                   |            | ●               | ●               | ●               | ●               | ●               |  |  |  |  |  |  |  |  |  |  |  |
| 17   | 076380    | Wärmedämmung                           |            | ●               | ●               | ●               | ●               | ●               |  |  |  |  |  |  |  |  |  |  |  |
| 19   | -         | <i>Schalnkasten siehe Baugruppe 12</i> |            |                 |                 |                 |                 |                 |  |  |  |  |  |  |  |  |  |  |  |
| 20   | 070256    | Haube, kpl.                            |            | ●               | ●               | ●               | ●               | ●               |  |  |  |  |  |  |  |  |  |  |  |
| 21   | 250909    | Kabelschelle, kpl.                     |            | ●               | ●               | ●               | ●               | ●               |  |  |  |  |  |  |  |  |  |  |  |

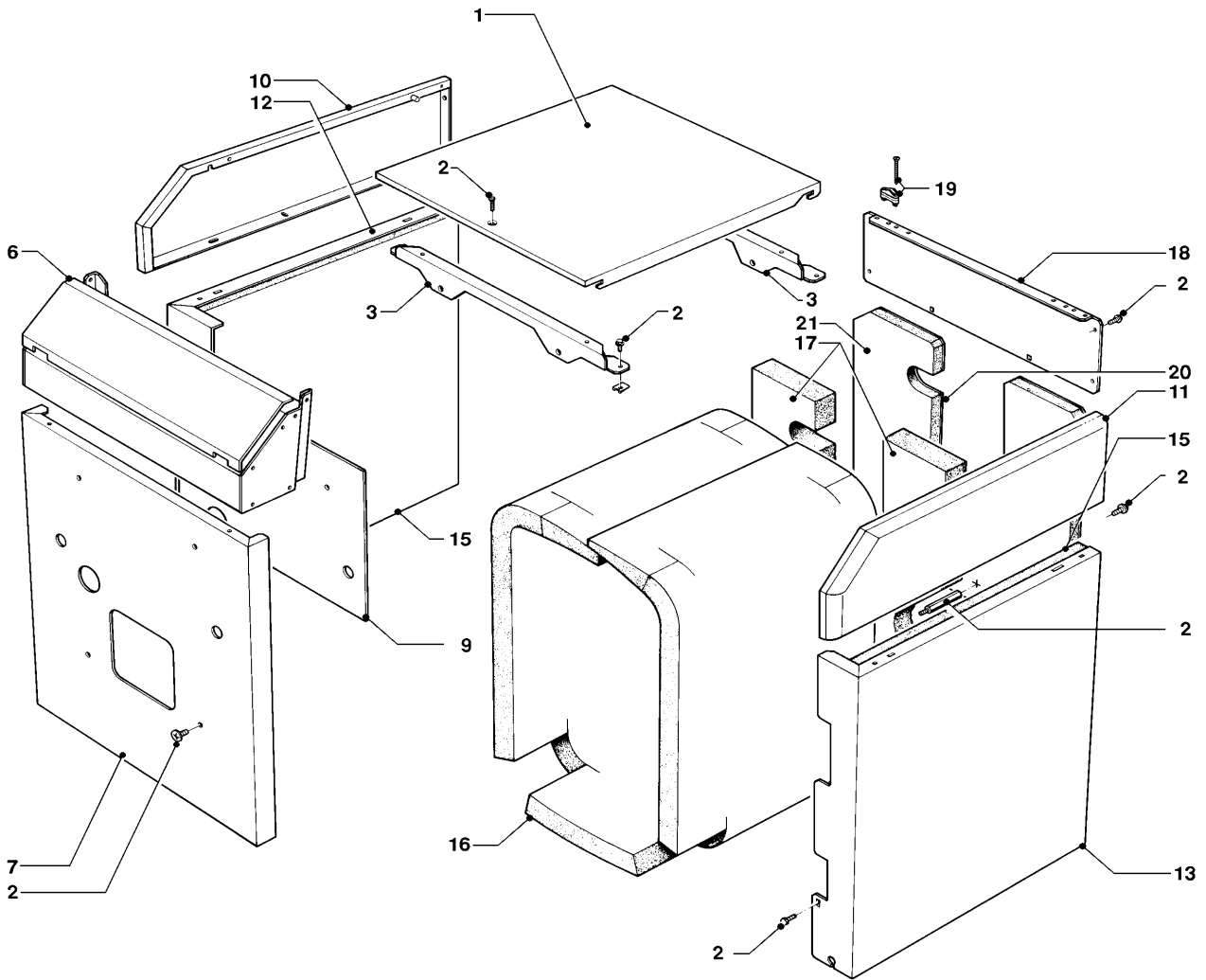
Änderungen vorbehalten!

Die Bruttopreise entnehmen Sie bitte der jeweils gültigen Preisliste.

# 07 Verkleidungsteile

VKO 22 ... 70

VKO 22/2 ... 70/2



04-07-002 JV

# 07 Verkleidungsteile

VKO 22 ... 70

VKO 22/2 ... 70/2

| Pos. | Teile-Nr. | Bezeichnung                            | mit Teilen | VKO 22 -/2 | VKO 27 -/2 | VKO 35 -/2 | VKO 42 -/2 | VKO 55 -/2 | VKO 70 -/2 |  |  |  |  |  |  |  |  |  |  |  |
|------|-----------|--|------------|------------|------------|------------|------------|------------|------------|--|--|--|--|--|--|--|--|--|--|--|
|      |           |  |            |            |            |            |            |            |            |  |  |  |  |  |  |  |  |  |  |  |
|      |           | 04-07-002                              |            |            |            |            |            |            |            |  |  |  |  |  |  |  |  |  |  |  |
| 01   | 070404    | Abdeckblech                            |            | •          | •          |            |            |            |            |  |  |  |  |  |  |  |  |  |  |  |
| 01   | 070405    | Abdeckblech                            |            |            |            | •          | •          |            |            |  |  |  |  |  |  |  |  |  |  |  |
| 01   | 070410    | Abdeckblech                            |            |            |            |            |            | •          |            |  |  |  |  |  |  |  |  |  |  |  |
| 01   | 070411    | Abdeckblech                            |            |            |            |            |            |            | •          |  |  |  |  |  |  |  |  |  |  |  |
| 02   | 085240    | Befestigungsteile                      |            | •          | •          | •          | •          | •          | •          |  |  |  |  |  |  |  |  |  |  |  |
| 03   | 072282    | Halteblech                             |            | •          | •          | •          | •          | •          | •          |  |  |  |  |  |  |  |  |  |  |  |
| 06   | -         | <i>Schaltkasten siehe Baugruppe 12</i> |            |            |            |            |            |            |            |  |  |  |  |  |  |  |  |  |  |  |
| 07   | 207070    | Vorderwand, kpl. (mit Aufnahme Haube)  |            | •          | •          | •          | •          | •          | •          |  |  |  |  |  |  |  |  |  |  |  |
| 09   | 192129    | Schutzplatte                           |            |            |            |            |            | •          | •          |  |  |  |  |  |  |  |  |  |  |  |
| 10   | 077347    | Seitenblech, oben links                |            | •          | •          |            |            |            |            |  |  |  |  |  |  |  |  |  |  |  |
| 10   | 077348    | Seitenblech, oben links                |            |            |            | •          | •          |            |            |  |  |  |  |  |  |  |  |  |  |  |
| 10   | 077349    | Seitenblech, oben links                |            |            |            |            |            | •          |            |  |  |  |  |  |  |  |  |  |  |  |
| 10   | 077350    | Seitenblech, oben links                |            |            |            |            |            |            | •          |  |  |  |  |  |  |  |  |  |  |  |
| 11   | 077351    | Seitenblech, oben rechts               |            | •          | •          |            |            |            |            |  |  |  |  |  |  |  |  |  |  |  |
| 11   | 077352    | Seitenblech, oben rechts               |            |            |            | •          | •          |            |            |  |  |  |  |  |  |  |  |  |  |  |
| 11   | 077353    | Seitenblech, oben rechts               |            |            |            |            |            | •          |            |  |  |  |  |  |  |  |  |  |  |  |
| 11   | 077354    | Seitenblech, oben rechts               |            |            |            |            |            |            | •          |  |  |  |  |  |  |  |  |  |  |  |
| 12   | 074705    | Seitenwand, links                      |            | •          | •          |            |            |            |            |  |  |  |  |  |  |  |  |  |  |  |
| 12   | 074706    | Seitenwand, links                      |            |            |            | •          | •          |            |            |  |  |  |  |  |  |  |  |  |  |  |
| 12   | 074707    | Seitenwand, links                      |            |            |            |            |            | •          |            |  |  |  |  |  |  |  |  |  |  |  |
| 12   | 074708    | Seitenwand, links                      |            |            |            |            |            |            | •          |  |  |  |  |  |  |  |  |  |  |  |
| 13   | 074709    | Seitenwand, rechts                     |            | •          | •          |            |            |            |            |  |  |  |  |  |  |  |  |  |  |  |
| 13   | 074710    | Seitenwand, rechts                     |            |            |            | •          | •          |            |            |  |  |  |  |  |  |  |  |  |  |  |
| 13   | 074711    | Seitenwand, rechts                     |            |            |            |            |            | •          |            |  |  |  |  |  |  |  |  |  |  |  |
| 13   | 074712    | Seitenwand, rechts                     |            |            |            |            |            |            | •          |  |  |  |  |  |  |  |  |  |  |  |
| 15   | 076381    | Wärmedämmung                           |            | •          | •          |            |            |            |            |  |  |  |  |  |  |  |  |  |  |  |
| 15   | 076382    | Wärmedämmung                           |            |            |            | •          | •          |            |            |  |  |  |  |  |  |  |  |  |  |  |
| 15   | 076383    | Wärmedämmung                           |            |            |            |            |            | •          |            |  |  |  |  |  |  |  |  |  |  |  |
| 15   | 076384    | Wärmedämmung                           |            |            |            |            |            |            | •          |  |  |  |  |  |  |  |  |  |  |  |
| 16   | 076371    | Blockwärmedämmung                      |            | •          | •          |            |            |            |            |  |  |  |  |  |  |  |  |  |  |  |
| 16   | 076372    | Blockwärmedämmung                      |            |            |            | •          | •          |            |            |  |  |  |  |  |  |  |  |  |  |  |
| 16   | 076373    | Blockwärmedämmung                      |            |            |            |            |            | •          |            |  |  |  |  |  |  |  |  |  |  |  |
| 16   | 076374    | Blockwärmedämmung                      |            |            |            |            |            |            | •          |  |  |  |  |  |  |  |  |  |  |  |
| 17   | 076378    | Wärmedämmung                           |            | •          | •          | •          | •          |            |            |  |  |  |  |  |  |  |  |  |  |  |
| 17   | 076379    | Wärmedämmung                           |            |            |            |            |            | •          | •          |  |  |  |  |  |  |  |  |  |  |  |
| 18   | 135038    | Rückwandblech, oben                    |            | •          | •          | •          | •          | •          | •          |  |  |  |  |  |  |  |  |  |  |  |
| 19   | 250909    | Kabelschelle, kpl.                     |            | •          | •          | •          | •          | •          | •          |  |  |  |  |  |  |  |  |  |  |  |
| 20   | 135037    | Rückwandblech, unten                   |            | •          | •          | •          | •          | •          | •          |  |  |  |  |  |  |  |  |  |  |  |
| 21   | 076380    | Wärmedämmung                           |            | •          | •          | •          | •          | •          | •          |  |  |  |  |  |  |  |  |  |  |  |

Änderungen vorbehalten!

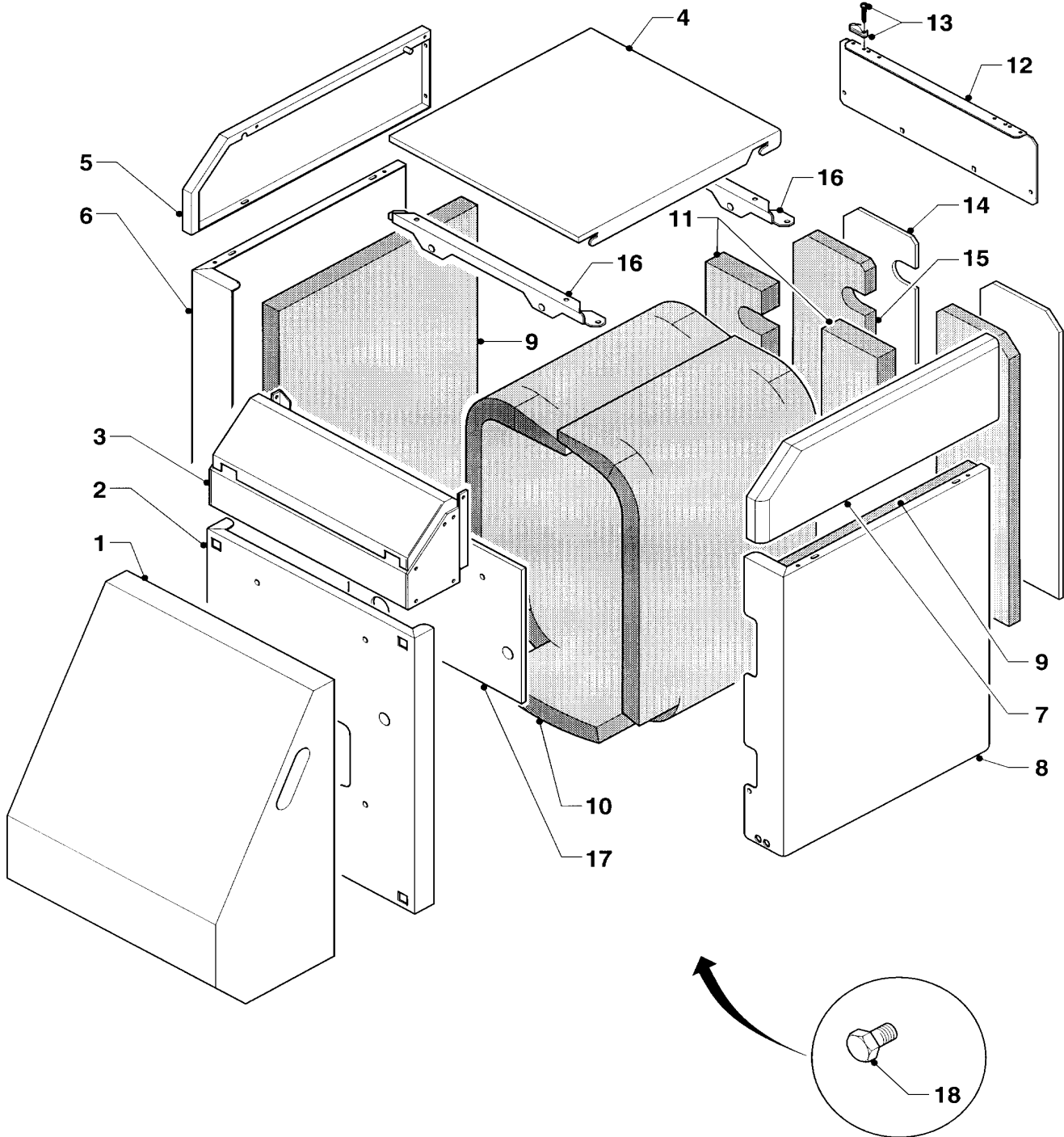
Die Bruttopreise entnehmen Sie bitte der jeweils gültigen Preisliste.



# 07 Verkleidungsteile

VKO unit 17/3 ... 38/3

VKO 22/3 ... 70/3



04 - 07 - 008

## 07 Verkleidungsteile

VKO unit 17/3 ... 38/3

VKO 22/3 ... 70/3

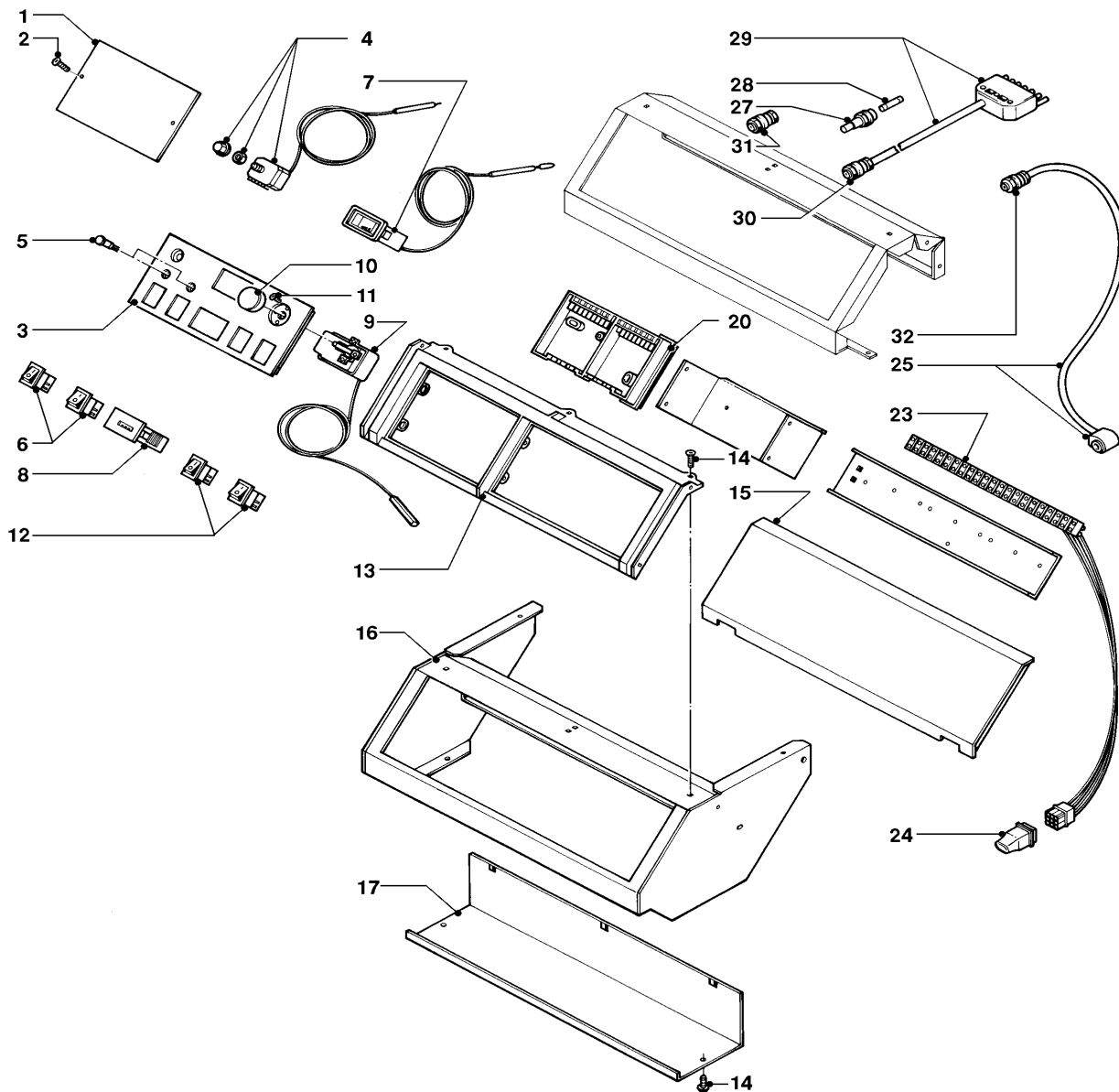
| Pos. | Teile-Nr. | Bezeichnung   | mit Teilen | 17 kW | 22 kW | 27 kW | 33/35 kW | 38/42 kW | 55 kW | 70 kW |  |  |  |  |  |  |  |  |  |  |
|------|-----------|---|------------|-------|-------|-------|----------|----------|-------|-------|--|--|--|--|--|--|--|--|--|--|
|      |           | 04-07-008   |            |       |       |       |          |          |       |       |  |  |  |  |  |  |  |  |  |  |
| 01   | 462937    | <i>Kesselhaube ist nicht als Ersatzteil lieferbar</i> |            |       |       |       |          |          |       |       |  |  |  |  |  |  |  |  |  |  |
| 02   | 207070    | Vorderwand, kpl. (mit Aufnahme Haube)                 |            | ●     | ●     | ●     | ●        | ●        | ●     | ●     |  |  |  |  |  |  |  |  |  |  |
| 03   | -         | <i>Schaltkasten siehe Baugruppe 12a/b</i>             |            |       |       |       |          |          |       |       |  |  |  |  |  |  |  |  |  |  |
| 04   | 070404    | Abdeckblech   |            | ●     | ●     | ●     |          |          |       |       |  |  |  |  |  |  |  |  |  |  |
| 04   | 070405    | Abdeckblech   |            |       |       |       | ●        | ●        |       |       |  |  |  |  |  |  |  |  |  |  |
| 04   | 070410    | Abdeckblech   |            |       |       |       |          |          | ●     |       |  |  |  |  |  |  |  |  |  |  |
| 04   | 070411    | Abdeckblech   |            |       |       |       |          |          |       | ●     |  |  |  |  |  |  |  |  |  |  |
| 05   | 077347    | Seitenblech, oben links                               |            | ●     | ●     | ●     |          |          |       |       |  |  |  |  |  |  |  |  |  |  |
| 05   | 077348    | Seitenblech, oben links                               |            |       |       |       | ●        | ●        |       |       |  |  |  |  |  |  |  |  |  |  |
| 05   | 077349    | Seitenblech, oben links                               |            |       |       |       |          |          | ●     |       |  |  |  |  |  |  |  |  |  |  |
| 05   | 077350    | Seitenblech, oben links                               |            |       |       |       |          |          |       | ●     |  |  |  |  |  |  |  |  |  |  |
| 06   | 074705    | Seitenwand, links                                     |            | ●     | ●     | ●     |          |          |       |       |  |  |  |  |  |  |  |  |  |  |
| 06   | 074706    | Seitenwand, links                                     |            |       |       |       | ●        | ●        |       |       |  |  |  |  |  |  |  |  |  |  |
| 06   | 074707    | Seitenwand, links                                     |            |       |       |       |          |          | ●     |       |  |  |  |  |  |  |  |  |  |  |
| 06   | 074708    | Seitenwand, links                                     |            |       |       |       |          |          |       | ●     |  |  |  |  |  |  |  |  |  |  |
| 07   | 077351    | Seitenblech, oben rechts                              |            | ●     | ●     | ●     |          |          |       |       |  |  |  |  |  |  |  |  |  |  |
| 07   | 077352    | Seitenblech, oben rechts                              |            |       |       |       | ●        | ●        |       |       |  |  |  |  |  |  |  |  |  |  |
| 07   | 077353    | Seitenblech, oben rechts                              |            |       |       |       |          |          | ●     |       |  |  |  |  |  |  |  |  |  |  |
| 07   | 077354    | Seitenblech, oben rechts                              |            |       |       |       |          |          |       | ●     |  |  |  |  |  |  |  |  |  |  |
| 08   | 074709    | Seitenwand, rechts                                    |            | ●     | ●     | ●     |          |          |       |       |  |  |  |  |  |  |  |  |  |  |
| 08   | 074710    | Seitenwand, rechts                                    |            |       |       |       | ●        | ●        |       |       |  |  |  |  |  |  |  |  |  |  |
| 08   | 074711    | Seitenwand, rechts                                    |            |       |       |       |          |          | ●     |       |  |  |  |  |  |  |  |  |  |  |
| 08   | 074712    | Seitenwand, rechts                                    |            |       |       |       |          |          |       | ●     |  |  |  |  |  |  |  |  |  |  |
| 09   | 076381    | Wärmedämmung  |            | ●     | ●     | ●     |          |          |       |       |  |  |  |  |  |  |  |  |  |  |
| 09   | 076382    | Wärmedämmung  |            |       |       |       | ●        | ●        |       |       |  |  |  |  |  |  |  |  |  |  |
| 09   | 076383    | Wärmedämmung  |            |       |       |       |          |          | ●     |       |  |  |  |  |  |  |  |  |  |  |
| 09   | 076384    | Wärmedämmung  |            |       |       |       |          |          |       | ●     |  |  |  |  |  |  |  |  |  |  |
| 10   | 076371    | Blockwärmedämmung                                     |            | ●     | ●     | ●     |          |          |       |       |  |  |  |  |  |  |  |  |  |  |
| 10   | 076372    | Blockwärmedämmung                                     |            |       |       |       | ●        | ●        |       |       |  |  |  |  |  |  |  |  |  |  |
| 10   | 076373    | Blockwärmedämmung                                     |            |       |       |       |          |          | ●     |       |  |  |  |  |  |  |  |  |  |  |
| 10   | 076374    | Blockwärmedämmung                                     |            |       |       |       |          |          |       | ●     |  |  |  |  |  |  |  |  |  |  |
| 11   | 076378    | Wärmedämmung  |            | ●     | ●     | ●     | ●        | ●        |       |       |  |  |  |  |  |  |  |  |  |  |
| 11   | 076379    | Wärmedämmung  |            |       |       |       |          |          | ●     | ●     |  |  |  |  |  |  |  |  |  |  |
| 12   | 135038    | Rückwandblech, oben                                   |            | ●     | ●     | ●     | ●        | ●        | ●     | ●     |  |  |  |  |  |  |  |  |  |  |
| 13   | 250909    | Kabelschelle, kpl.                                    |            | ●     | ●     | ●     | ●        | ●        | ●     | ●     |  |  |  |  |  |  |  |  |  |  |
| 14   | 135037    | Rückwandblech, unten                                  |            | ●     | ●     | ●     | ●        | ●        | ●     | ●     |  |  |  |  |  |  |  |  |  |  |
| 15   | 076380    | Wärmedämmung  |            | ●     | ●     | ●     | ●        | ●        | ●     | ●     |  |  |  |  |  |  |  |  |  |  |
| 16   | 072282    | Halteblech  |            | ●     | ●     | ●     | ●        | ●        | ●     | ●     |  |  |  |  |  |  |  |  |  |  |
| 17   | 192129    | Schutzplatte  |            |       |       |       |          |          | ●     | ●     |  |  |  |  |  |  |  |  |  |  |
| 18   | 085240    | Befestigungsteile                                     |            | ●     | ●     | ●     | ●        | ●        | ●     | ●     |  |  |  |  |  |  |  |  |  |  |

Änderungen vorbehalten!

Die Bruttopreise entnehmen Sie bitte der jeweils gültigen Preisliste.

# 12 Schaltkasten

VKO unit 17 ... 42



04-12-002 JV

# 12 Schaltkasten

VKO unit 17 ... 42

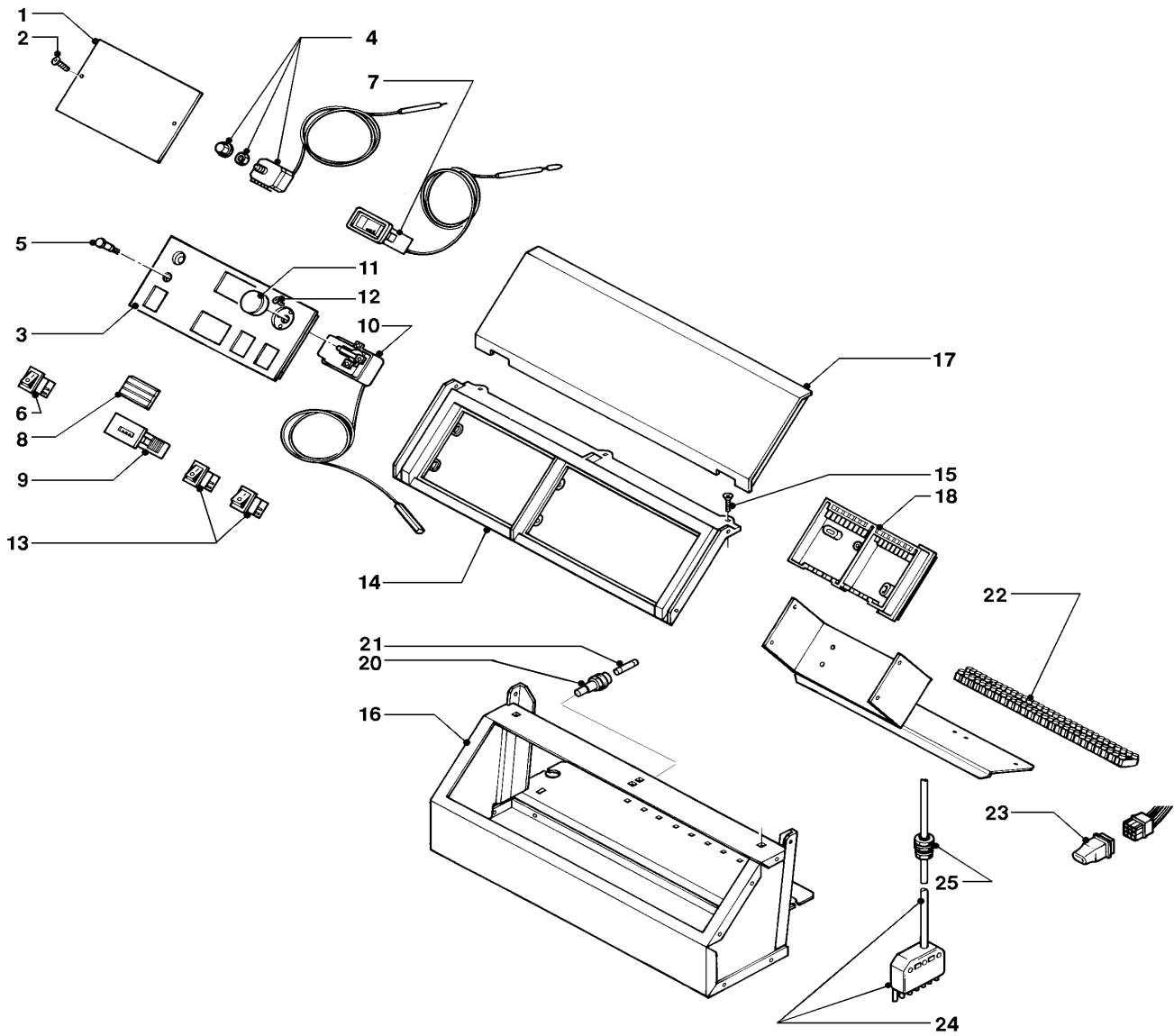
| Pos. | Teile-Nr. | Bezeichnung   | mit Teilen | VKO unit 17 | VKO unit 22 | VKO unit 27 | VKO unit 35 | VKO unit 42 |  |  |  |  |  |  |  |  |  |  |  |
|------|-----------|---|------------|-------------|-------------|-------------|-------------|-------------|--|--|--|--|--|--|--|--|--|--|--|
|      |           | 04-12-002   |            |             |             |             |             |             |  |  |  |  |  |  |  |  |  |  |  |
| -    | 257588    | Schaltleiste, kpl.  | 01-32      | ●           | ●           | ●           | ●           | ●           |  |  |  |  |  |  |  |  |  |  |  |
| 01   | 209582    | Blinddeckel   |            | ●           | ●           | ●           | ●           | ●           |  |  |  |  |  |  |  |  |  |  |  |
| 02   | 139229    | Schraube  |            | ●           | ●           | ●           | ●           | ●           |  |  |  |  |  |  |  |  |  |  |  |
| 03   | 208407    | Blende  |            | ●           | ●           | ●           | ●           | ●           |  |  |  |  |  |  |  |  |  |  |  |
| 04   | 101135    | Temperaturbegrenzer   |            | ●           | ●           | ●           | ●           | ●           |  |  |  |  |  |  |  |  |  |  |  |
| 05   | 250640    | Kontroll-Leuchte  |            | ●           | ●           | ●           | ●           | ●           |  |  |  |  |  |  |  |  |  |  |  |
| 06   | 257928    | Schalter  |            | ●           | ●           | ●           | ●           | ●           |  |  |  |  |  |  |  |  |  |  |  |
| 07   | 101562    | Thermometer   |            | ●           | ●           | ●           | ●           | ●           |  |  |  |  |  |  |  |  |  |  |  |
| 08   | 301030    | Betriebsstundenzähler VKO<br><i>Zubehörartikel, nicht als Ersatzteil<br/>bestellbar</i> |            | ○           | ○           | ○           | ○           | ○           |  |  |  |  |  |  |  |  |  |  |  |
| 09   | 101814    | Temperaturregler  |            | ●           | ●           | ●           | ●           | ●           |  |  |  |  |  |  |  |  |  |  |  |
| 10   | 143994    | Drehknopf   |            | ●           | ●           | ●           | ●           | ●           |  |  |  |  |  |  |  |  |  |  |  |
| 11   | 060018    | Schraube  |            | ●           | ●           | ●           | ●           | ●           |  |  |  |  |  |  |  |  |  |  |  |
| 12   | 257927    | Schalter  |            | ●           | ●           | ●           | ●           | ●           |  |  |  |  |  |  |  |  |  |  |  |
| 13   | 136672    | Kunststoffrahmen  |            | ●           | ●           | ●           | ●           | ●           |  |  |  |  |  |  |  |  |  |  |  |
| 14   | 869158    | Sechskantschraube M 5x16  |            | ●           | ●           | ●           | ●           | ●           |  |  |  |  |  |  |  |  |  |  |  |
| 15   | 209591    | Abdeckung   |            | ●           | ●           | ●           | ●           | ●           |  |  |  |  |  |  |  |  |  |  |  |
| 16   | 136673    | Metallrahmen  |            | ●           | ●           | ●           | ●           | ●           |  |  |  |  |  |  |  |  |  |  |  |
| 17   | 071352    | Verschlussblech   |            | ●           | ●           | ●           | ●           | ●           |  |  |  |  |  |  |  |  |  |  |  |
| 20   | 009573    | Anschlusssockel VRC<br><i>Zubehörartikel, nicht als Ersatzteil<br/>bestellbar</i>       |            | ○           | ○           | ○           | ○           | ○           |  |  |  |  |  |  |  |  |  |  |  |
| 23   | 251105    | Klemmleiste   |            | ●           | ●           | ●           | ●           | ●           |  |  |  |  |  |  |  |  |  |  |  |
| 24   | 252764    | Überbrückungsstecker  |            | ●           | ●           | ●           | ●           | ●           |  |  |  |  |  |  |  |  |  |  |  |
| 25   | 253307    | Brenner-Fernentriegelung  |            | ●           | ●           | ●           | ●           | ●           |  |  |  |  |  |  |  |  |  |  |  |
| 27   | 288115    | Sicherungshalter, kpl.  | 28         | ●           | ●           | ●           | ●           | ●           |  |  |  |  |  |  |  |  |  |  |  |
| 28   | 251917    | Sicherung   |            | ●           | ●           | ●           | ●           | ●           |  |  |  |  |  |  |  |  |  |  |  |
| 29   | 250734    | Brenneranschlusskabel   |            | ●           | ●           | ●           | ●           | ●           |  |  |  |  |  |  |  |  |  |  |  |
| 30   | 078519    | Zugentlastung, kpl.   |            | ●           | ●           | ●           | ●           | ●           |  |  |  |  |  |  |  |  |  |  |  |
| 31   | 078510    | Zugentlastung, kpl.   |            | ●           | ●           | ●           | ●           | ●           |  |  |  |  |  |  |  |  |  |  |  |
| 32   | 078518    | Zugentlastung, kpl.   |            | ●           | ●           | ●           | ●           | ●           |  |  |  |  |  |  |  |  |  |  |  |

Änderungen vorbehalten!

Die Bruttopreise entnehmen Sie bitte der jeweils gültigen Preisliste.

# 12 Schaltkasten

VKO 22 ... 70



04-12-003 JV

# 12 Schaltkasten

VKO 22 ... 70

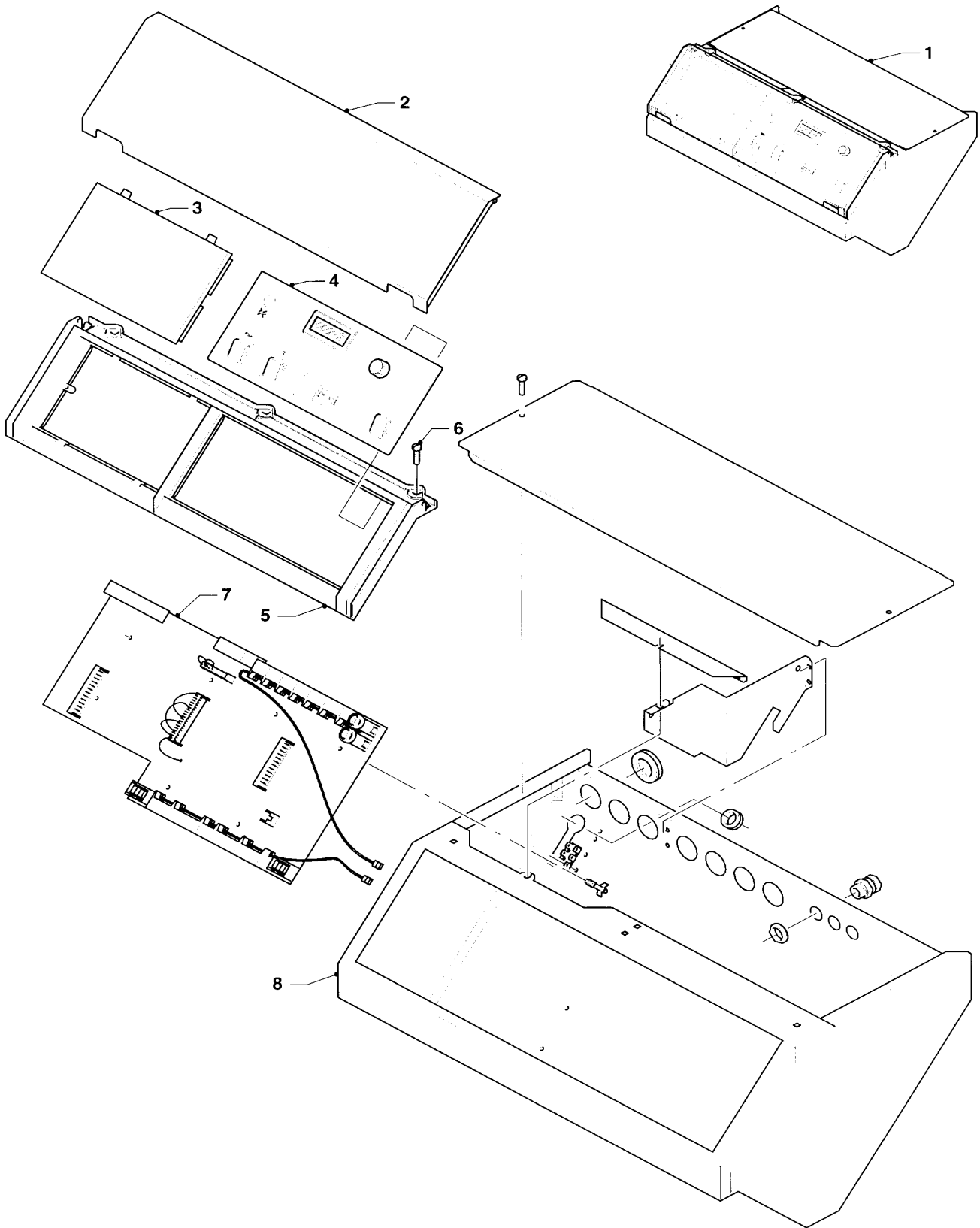
| Pos. | Teile-Nr. | Bezeichnung   | mit Teilen | VKO 22 | VKO 27 | VKO 35 | VKO 42 | VKO 55 | VKO 70 |  |  |  |  |  |  |  |  |  |  |
|------|-----------|---|------------|--------|--------|--------|--------|--------|--------|--|--|--|--|--|--|--|--|--|--|
|      |           | 04-12-003   |            |        |        |        |        |        |        |  |  |  |  |  |  |  |  |  |  |
| -    | 257589    | Schaltleiste, kpl.  | 01-25      | ●      | ●      | ●      | ●      | ●      | ●      |  |  |  |  |  |  |  |  |  |  |
| 01   | 209582    | Blinddeckel   |            | ●      | ●      | ●      | ●      | ●      | ●      |  |  |  |  |  |  |  |  |  |  |
| 02   | 139229    | Schraube  |            | ●      | ●      | ●      | ●      | ●      | ●      |  |  |  |  |  |  |  |  |  |  |
| 03   | 208408    | Blende  |            | ●      | ●      | ●      | ●      | ●      | ●      |  |  |  |  |  |  |  |  |  |  |
| 04   | 101135    | Temperaturbegrenzer   |            | ●      | ●      | ●      | ●      | ●      | ●      |  |  |  |  |  |  |  |  |  |  |
| 05   | 250640    | Kontroll-Leuchte  |            | ●      | ●      | ●      | ●      | ●      | ●      |  |  |  |  |  |  |  |  |  |  |
| 06   | 257928    | Schalter  |            | ●      | ●      | ●      | ●      | ●      | ●      |  |  |  |  |  |  |  |  |  |  |
| 07   | 101562    | Thermometer   |            | ●      | ●      | ●      | ●      | ●      | ●      |  |  |  |  |  |  |  |  |  |  |
| 08   | 209635    | Blinddeckel (Betr.-stundenz.)   |            | ●      | ●      | ●      | ●      | ●      | ●      |  |  |  |  |  |  |  |  |  |  |
| 09   | 301030    | Betriebsstundenzähler VKO<br><i>Zubehörartikel, nicht als Ersatzteil<br/>bestellbar</i> |            | ○      | ○      | ○      | ○      | ○      | ○      |  |  |  |  |  |  |  |  |  |  |
| 10   | 101814    | Temperaturregler  |            | ●      | ●      | ●      | ●      | ●      | ●      |  |  |  |  |  |  |  |  |  |  |
| 11   | 143994    | Drehknopf   |            | ●      | ●      | ●      | ●      | ●      | ●      |  |  |  |  |  |  |  |  |  |  |
| 12   | 060018    | Schraube  |            | ●      | ●      | ●      | ●      | ●      | ●      |  |  |  |  |  |  |  |  |  |  |
| 13   | 257927    | Schalter  |            | ●      | ●      | ●      | ●      | ●      | ●      |  |  |  |  |  |  |  |  |  |  |
| 14   | 136672    | Kunststoffrahmen  |            | ●      | ●      | ●      | ●      | ●      | ●      |  |  |  |  |  |  |  |  |  |  |
| 15   | 869158    | Sechskantschraube M 5x16  |            | ●      | ●      | ●      | ●      | ●      | ●      |  |  |  |  |  |  |  |  |  |  |
| 16   | 136673    | Metallrahmen  |            | ●      | ●      | ●      | ●      | ●      | ●      |  |  |  |  |  |  |  |  |  |  |
| 17   | 209591    | Abdeckung   |            | ●      | ●      | ●      | ●      | ●      | ●      |  |  |  |  |  |  |  |  |  |  |
| 18   | 009573    | Anschlusssockel VRC   |            | ○      | ○      | ○      | ○      | ○      | ○      |  |  |  |  |  |  |  |  |  |  |
| 20   | 288115    | Sicherungshalter, kpl.  | 21         | ●      | ●      | ●      | ●      | ●      | ●      |  |  |  |  |  |  |  |  |  |  |
| 21   | 251917    | Sicherung   |            | ●      | ●      | ●      | ●      | ●      | ●      |  |  |  |  |  |  |  |  |  |  |
| 22   | 251105    | Klemmleiste   |            | ●      | ●      | ●      | ●      | ●      | ●      |  |  |  |  |  |  |  |  |  |  |
| 23   | 252764    | Überbrückungsstecker  |            | ●      | ●      | ●      | ●      | ●      | ●      |  |  |  |  |  |  |  |  |  |  |
| 24   | 250734    | Brenneranschlusskabel   |            | ●      | ●      | ●      | ●      | ●      | ●      |  |  |  |  |  |  |  |  |  |  |
| 25   | 078519    | Zugentlastung, kpl.   |            | ●      | ●      | ●      | ●      | ●      | ●      |  |  |  |  |  |  |  |  |  |  |

Änderungen vorbehalten!

Die Bruttopreise entnehmen Sie bitte der jeweils gültigen Preisliste.

# 12a Schaltkasten (Gehäuse)

VKO unit 17/2 ... 42/2



04 - 12 - 009

# 12a Schaltkasten (Gehäuse)

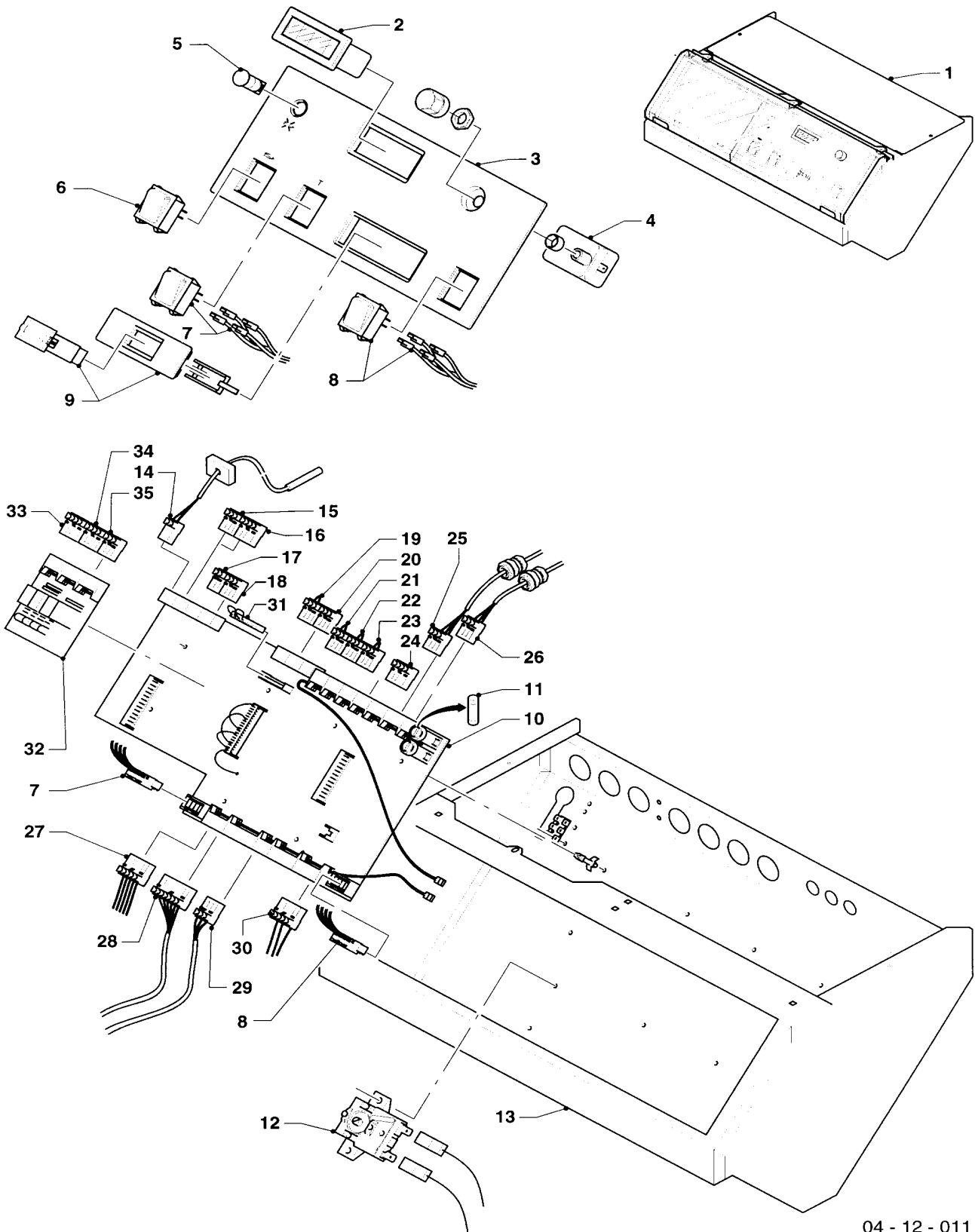
VKO unit 17/2 ... 42/2

| Pos. | Teile-Nr. | Bezeichnung                                     | mit Teilen | VKO unit 17/2 | VKO unit 22/2 | VKO unit 27/2 | VKO unit 35/2 | VKO unit 42/2 |  |  |  |  |  |  |  |  |  |  |
|------|-----------|---|------------|---------------|---------------|---------------|---------------|---------------|--|--|--|--|--|--|--|--|--|--|
|      |           | 04-12-009                                       |            |               |               |               |               |               |  |  |  |  |  |  |  |  |  |  |
| 01   | 257455    | Schaltleiste, kpl.                              | 02-08      | ●             | ●             | ●             | ●             | ●             |  |  |  |  |  |  |  |  |  |  |
| 01   | 257457    | Schaltleiste, kpl.<br><i>nur für Österreich</i> | 02-08      | ○             | ○             | ○             | ○             | ○             |  |  |  |  |  |  |  |  |  |  |
| 02   | 209591    | Abdeckung                                       |            | ●             | ●             | ●             | ●             | ●             |  |  |  |  |  |  |  |  |  |  |
| 03   | 209632    | Blinddeckel für Heizungsregler                  |            | ●             | ●             | ●             | ●             | ●             |  |  |  |  |  |  |  |  |  |  |
| 04   | 209697    | Deckel (Bedienfeld)                             |            | ●             | ●             | ●             | ●             | ●             |  |  |  |  |  |  |  |  |  |  |
| 05   | 136727    | Rahmen (Schaltleiste)                           |            | ●             | ●             | ●             | ●             | ●             |  |  |  |  |  |  |  |  |  |  |
| 06   | 869158    | Sechskantschraube M 5x16                        |            | ●             | ●             | ●             | ●             | ●             |  |  |  |  |  |  |  |  |  |  |
| 07   | 130410    | Basisverdrahtungsplatine                        |            | ●             | ●             | ●             | ●             | ●             |  |  |  |  |  |  |  |  |  |  |
| 08   | -         | <i>nicht einzeln lieferbar</i>                  |            |               |               |               |               |               |  |  |  |  |  |  |  |  |  |  |



# 12b Schaltkasten (Funktionsteile)

VKO unit 17/2 ... 42/2



04 - 12 - 011

## 12b Schaltkasten (Funktionsteile)

VKO unit 17/2 ... 42/2

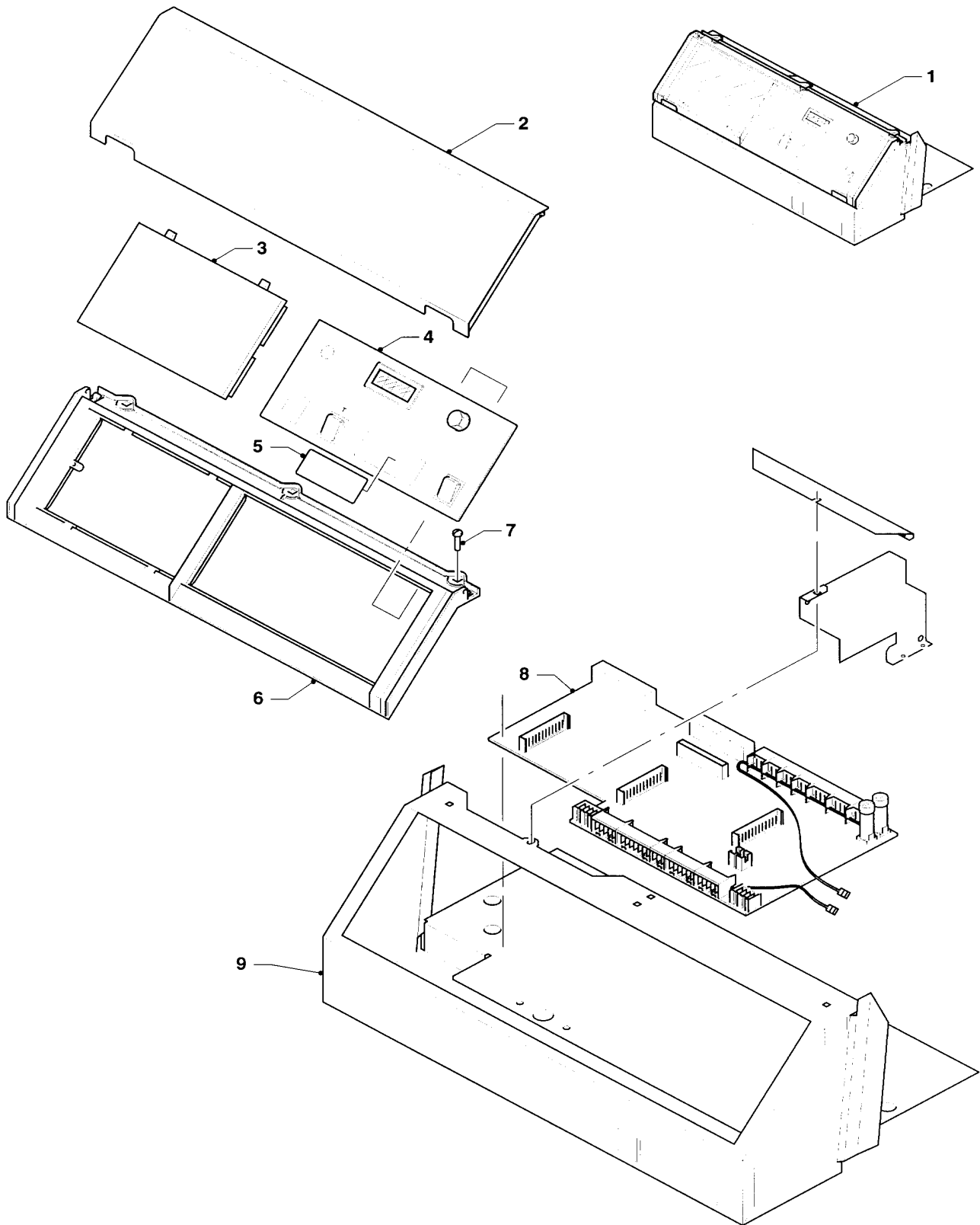
| Pos. | Teile-Nr. | Bezeichnung   | mit Teilen          | VKO unit 17/2 | VKO unit 22/2 | VKO unit 27/2 | VKO unit 35/2 | VKO unit 42/2 |  |  |  |  |  |  |  |  |  |  |  |  |
|------|-----------|---|---------------------|---------------|---------------|---------------|---------------|---------------|--|--|--|--|--|--|--|--|--|--|--|--|
|      |           | 04-12-011   |                     |               |               |               |               |               |  |  |  |  |  |  |  |  |  |  |  |  |
| 01   | 257455    | Schaltleiste, kpl.  | 02-08, 10-14, 18-31 | ●             | ●             | ●             | ●             | ●             |  |  |  |  |  |  |  |  |  |  |  |  |
| 01   | 257457    | Schaltleiste, kpl.<br><i>nur für Österreich</i>   | 02-08, 10-14, 18-31 | ○             | ○             | ○             | ○             | ○             |  |  |  |  |  |  |  |  |  |  |  |  |
| 02   | 101562    | Thermometer   |                     | ●             | ●             | ●             | ●             | ●             |  |  |  |  |  |  |  |  |  |  |  |  |
| 03   | 209697    | Deckel (Bedienfeld)   |                     | ●             | ●             | ●             | ●             | ●             |  |  |  |  |  |  |  |  |  |  |  |  |
| 04   | 101135    | Temperaturbegrenzer   |                     | ●             | ●             | ●             | ●             | ●             |  |  |  |  |  |  |  |  |  |  |  |  |
| 04   | -         | <i>siehe Zubehör 9213</i><br>Temperaturwächter 95° C,<br><i>nicht als Ersatzteil bestellbar</i>     |                     | ○             | ○             | ○             | ○             | ○             |  |  |  |  |  |  |  |  |  |  |  |  |
| 05   | 250640    | Kontroll-Leuchte  |                     | ●             | ●             | ●             | ●             | ●             |  |  |  |  |  |  |  |  |  |  |  |  |
| 06   | 257928    | Schalter  |                     | ●             | ●             | ●             | ●             | ●             |  |  |  |  |  |  |  |  |  |  |  |  |
| 07   | 257963    | Schalter, kpl. (STB-Taster)   |                     | ●             | ●             | ●             | ●             | ●             |  |  |  |  |  |  |  |  |  |  |  |  |
| 08   | 257962    | Schalter, kpl. (Ein/Aus)  |                     | ●             | ●             | ●             | ●             | ●             |  |  |  |  |  |  |  |  |  |  |  |  |
| 09   | 009541    | Betriebsstundenzähler 1-stufig<br><i>Zubehörartikel, nicht als Ersatzteil bestellbar</i>            |                     | ○             | ○             | ○             | ○             | ○             |  |  |  |  |  |  |  |  |  |  |  |  |
| 10   | 130410    | Basisverdrahtungsplatine  | 11                  | ●             | ●             | ●             | ●             | ●             |  |  |  |  |  |  |  |  |  |  |  |  |
| 11   | 251917    | Sicherung   |                     | ●             | ●             | ●             | ●             | ●             |  |  |  |  |  |  |  |  |  |  |  |  |
| 12   | 101125    | Kesseltemperaturregler (83° C)  |                     | ●             | ●             | ●             | ●             | ●             |  |  |  |  |  |  |  |  |  |  |  |  |
| 13   | -         | <i>nicht einzeln lieferbar</i>  |                     |               |               |               |               |               |  |  |  |  |  |  |  |  |  |  |  |  |
| 14   | 711576    | Tauchfühler   |                     | ●             | ●             | ●             | ●             | ●             |  |  |  |  |  |  |  |  |  |  |  |  |
| 15   | 733738    | Steckverbinder Bus/FBG (3-polig, rot)   |                     | ●             | ●             | ●             | ●             | ●             |  |  |  |  |  |  |  |  |  |  |  |  |
| 16   | 733635    | Steckverbinder Bus/FBG (4-polig, rot)   |                     | ●             | ●             | ●             | ●             | ●             |  |  |  |  |  |  |  |  |  |  |  |  |
| 17   | 733726    | Steckverbinder SpF (2-polig, blau)  |                     | ●             | ●             | ●             | ●             | ●             |  |  |  |  |  |  |  |  |  |  |  |  |
| 18   | 733745    | Steckverbinder DCF/AF (3-polig, gelb)   |                     | ●             | ●             | ●             | ●             | ●             |  |  |  |  |  |  |  |  |  |  |  |  |
| 19   | 733744    | Steckverbinder ex.Regler ST 1<br>(3-polig, orange)  |                     | ●             | ●             | ●             | ●             | ●             |  |  |  |  |  |  |  |  |  |  |  |  |
| 20   | 733741    | Steckverbinder ex.Regler ST 2<br>(3-polig, braun)   |                     | ●             | ●             | ●             | ●             | ●             |  |  |  |  |  |  |  |  |  |  |  |  |
| 21   | 733742    | Steckverbinder GDW (3-polig, violett)   |                     | ●             | ●             | ●             | ●             | ●             |  |  |  |  |  |  |  |  |  |  |  |  |
| 22   | 733743    | Steckverbinder Abgaskl. (3-polig, weiß)   |                     | ●             | ●             | ●             | ●             | ●             |  |  |  |  |  |  |  |  |  |  |  |  |
| 23   | 733737    | Steckverbinder Wassermangel<br>(3-polig, grün)  |                     | ●             | ●             | ●             | ●             | ●             |  |  |  |  |  |  |  |  |  |  |  |  |
| 24   | 733750    | Steckverbinder LP/UV (3-polig, braun)   |                     | ●             | ●             | ●             | ●             | ●             |  |  |  |  |  |  |  |  |  |  |  |  |
| 25   | 733754    | Verbindungsleitung  |                     | ●             | ●             | ●             | ●             | ●             |  |  |  |  |  |  |  |  |  |  |  |  |
| 25   | 733749    | Steckverbinder HP-B (4-polig, natur)  |                     | ●             | ●             | ●             | ●             | ●             |  |  |  |  |  |  |  |  |  |  |  |  |
| 26   | 733753    | Kabelbaum   |                     | ●             | ●             | ●             | ●             | ●             |  |  |  |  |  |  |  |  |  |  |  |  |
| 26   | 733734    | Steckverbinder Netz (3-polig, grau)   |                     | ●             | ●             | ●             | ●             | ●             |  |  |  |  |  |  |  |  |  |  |  |  |
| 27   | 734046    | Verbindungsleitung  |                     | ●             | ●             | ●             | ●             | ●             |  |  |  |  |  |  |  |  |  |  |  |  |
| 28   | 250734    | Brenneranschlusskabel   |                     | ●             | ●             | ●             | ●             | ●             |  |  |  |  |  |  |  |  |  |  |  |  |
| 29   | 253307    | Brenner-Fernentriegelung  |                     | ●             | ●             | ●             | ●             | ●             |  |  |  |  |  |  |  |  |  |  |  |  |
| 29   | 733859    | Steckverbinder (3-polig, natur)   |                     | ●             | ●             | ●             | ●             | ●             |  |  |  |  |  |  |  |  |  |  |  |  |
| 30   | 733877    | Verbindungsleitung (STB)  |                     | ●             | ●             | ●             | ●             | ●             |  |  |  |  |  |  |  |  |  |  |  |  |
| 31   | 250790    | Brückenstecker  |                     | ●             | ●             | ●             | ●             | ●             |  |  |  |  |  |  |  |  |  |  |  |  |
| 31   | 733768    | Überbrückungsstecker (VIH)  |                     | ●             | ●             | ●             | ●             | ●             |  |  |  |  |  |  |  |  |  |  |  |  |
| 32   | 300842    | VRC-MK2<br><i>(Modul 2. Mischerkreis) Zubehörartikel,</i><br><i>nicht als Ersatzteil bestellbar</i> |                     | ○             | ○             | ○             | ○             | ○             |  |  |  |  |  |  |  |  |  |  |  |  |
| 33   | 733634    | Steckverbinder Absp. V2 (4-polig, grün)   |                     | ●             | ●             | ●             | ●             | ●             |  |  |  |  |  |  |  |  |  |  |  |  |
| 34   | 733752    | Steckverbinder M2 (4-polig, gelb)   |                     | ●             | ●             | ●             | ●             | ●             |  |  |  |  |  |  |  |  |  |  |  |  |
| 35   | 733747    | Steckverbinder HPM2<br>(3-polig, orange-braun)  |                     | ●             | ●             | ●             | ●             | ●             |  |  |  |  |  |  |  |  |  |  |  |  |

Änderungen vorbehalten!

Die Bruttopreise entnehmen Sie bitte der jeweils gültigen Preisliste.

# 12a Schaltkasten (Gehäuse)

VKO 22/2 ... 70/2



04 - 12 - 008

# 12a Schaltkasten (Gehäuse)

VKO 22/2 ... 70/2

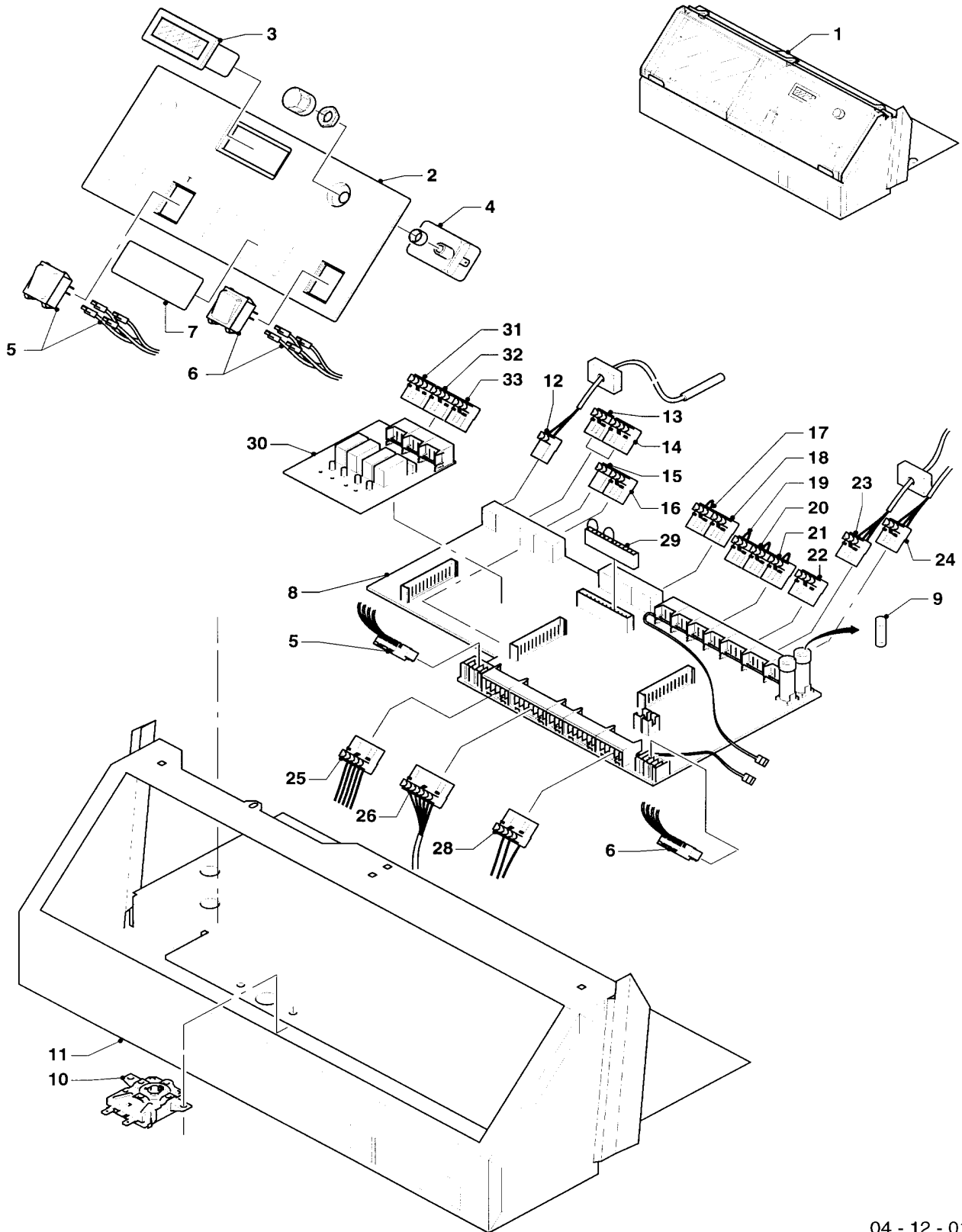
| Pos. | Teile-Nr. | Bezeichnung  | mit Teilen | VKO 22/2 | VKO 27/2 | VKO 35/2 | VKO 42/2 | VKO 55/2 | VKO 70/2 |  |  |  |  |  |  |  |  |  |  |
|------|-----------|--|------------|----------|----------|----------|----------|----------|----------|--|--|--|--|--|--|--|--|--|--|
|      |           | 04-12-008  |            |          |          |          |          |          |          |  |  |  |  |  |  |  |  |  |  |
| 01   | 257456    | Schaltleiste, kpl.   | 02-09      | ●        | ●        | ●        | ●        | ●        | ●        |  |  |  |  |  |  |  |  |  |  |
| 01   | 257458    | Schaltleiste, kpl.<br><i>nur für Österreich</i>  | 02-09      | ○        | ○        | ○        | ○        | ○        | ○        |  |  |  |  |  |  |  |  |  |  |
| 02   | 209591    | Abdeckung  |            | ●        | ●        | ●        | ●        | ●        | ●        |  |  |  |  |  |  |  |  |  |  |
| 03   | 209632    | Blindeckel für Heizungsregler  |            | ●        | ●        | ●        | ●        | ●        | ●        |  |  |  |  |  |  |  |  |  |  |
| 04   | 209696    | Deckel (Bedienfeld)  |            | ●        | ●        | ●        | ●        | ●        | ●        |  |  |  |  |  |  |  |  |  |  |
| 05   | 209635    | Blindeckel (Betr.-stundenz.)   |            | ●        | ●        | ●        | ●        | ●        | ●        |  |  |  |  |  |  |  |  |  |  |
| 05   | 009541    | Betriebsstundenzähler 1-stufig<br><i>Zubehörartikel, nicht als Ersatzteil<br/>bestellbar</i> |            | ○        | ○        | ○        | ○        | ○        |          |  |  |  |  |  |  |  |  |  |  |
| 05   | 009540    | Betriebsstundenzähler 2-stufig<br><i>Zubehörartikel, nicht als Ersatzteil<br/>bestellbar</i> |            |          |          |          |          |          | ○        |  |  |  |  |  |  |  |  |  |  |
| 06   | 136727    | Rahmen (Schaltleiste)  |            | ●        | ●        | ●        | ●        | ●        | ●        |  |  |  |  |  |  |  |  |  |  |
| 07   | 869158    | Sechskantschraube M 5x16   |            | ●        | ●        | ●        | ●        | ●        | ●        |  |  |  |  |  |  |  |  |  |  |
| 08   | 130411    | Leiterplatte, kpl. BVP   |            | ●        | ●        | ●        | ●        | ●        | ●        |  |  |  |  |  |  |  |  |  |  |
| 09   | -         | <i>nicht einzeln lieferbar</i>   |            |          |          |          |          |          |          |  |  |  |  |  |  |  |  |  |  |

Änderungen vorbehalten!

Die Bruttopreise entnehmen Sie bitte der jeweils gültigen Preisliste.

# 12b Schaltkasten (Funktionsteile)

VKO 22/2 ... 70/2



04 - 12 - 010

# 12b Schaltkasten (Funktionsteile)

VKO 22/2 ... 70/2

| Pos. | Teile-Nr. | Bezeichnung   | mit Teilen           | VKO 22/2 | VKO 27/2 | VKO 35/2 | VKO 42/2 | VKO 55/2 | VKO 70/2 |  |  |  |  |  |  |  |  |  |  |  |
|------|-----------|---|----------------------|----------|----------|----------|----------|----------|----------|--|--|--|--|--|--|--|--|--|--|--|
|      |           | 04-12-010   |                      |          |          |          |          |          |          |  |  |  |  |  |  |  |  |  |  |  |
| 01   | 257456    | Schaltleiste, kpl.  | 02-12, 16-26, 28, 29 | ●        | ●        | ●        | ●        | ●        | ●        |  |  |  |  |  |  |  |  |  |  |  |
| 01   | 257458    | Schaltleiste, kpl.<br><i>nur für Österreich</i>   | 02-12, 16-26, 28, 29 | ○        | ○        | ○        | ○        | ○        | ○        |  |  |  |  |  |  |  |  |  |  |  |
| 02   | 101562    | Thermometer   |                      | ●        | ●        | ●        | ●        | ●        | ●        |  |  |  |  |  |  |  |  |  |  |  |
| 03   | 209696    | Deckel (Bedienfeld)   |                      | ●        | ●        | ●        | ●        | ●        | ●        |  |  |  |  |  |  |  |  |  |  |  |
| 04   | 101135    | Temperaturbegrenzer   |                      | ●        | ●        | ●        | ●        | ●        | ●        |  |  |  |  |  |  |  |  |  |  |  |
| 04   | -         | <i>siehe Zubehör 9213</i><br>Temperaturwächter 95° C,<br><i>nicht als Ersatzteil bestellbar</i> |                      | ○        | ○        | ○        | ○        | ○        | ○        |  |  |  |  |  |  |  |  |  |  |  |
| 05   | 257963    | Schalter, kpl. (STB-Taster)   |                      | ●        | ●        | ●        | ●        | ●        | ●        |  |  |  |  |  |  |  |  |  |  |  |
| 06   | 257962    | Schalter, kpl. (Ein/Aus)  |                      | ●        | ●        | ●        | ●        | ●        | ●        |  |  |  |  |  |  |  |  |  |  |  |
| 07   | 209635    | Blinddeckel (Betr.-stundenz.)   |                      | ●        | ●        | ●        | ●        | ●        | ●        |  |  |  |  |  |  |  |  |  |  |  |
| 07   | 009541    | Betriebsstundenzähler 1-stufig<br><i>Zubehörartikel, nicht als Ersatzteil bestellbar</i>        |                      | ○        | ○        | ○        | ○        | ○        |          |  |  |  |  |  |  |  |  |  |  |  |
| 07   | 009540    | Betriebsstundenzähler 2-stufig<br><i>Zubehörartikel, nicht als Ersatzteil bestellbar</i>        |                      |          |          |          |          |          | ○        |  |  |  |  |  |  |  |  |  |  |  |
| 08   | 130411    | Leiterplatte, kpl. BVP  | 09                   | ●        | ●        | ●        | ●        | ●        | ●        |  |  |  |  |  |  |  |  |  |  |  |
| 09   | 251917    | Sicherung   |                      | ●        | ●        | ●        | ●        | ●        | ●        |  |  |  |  |  |  |  |  |  |  |  |
| 10   | 101125    | Kesseltemperaturregler (83° C)  |                      | ●        | ●        | ●        | ●        | ●        | ●        |  |  |  |  |  |  |  |  |  |  |  |
| 11   | -         | <i>nicht einzeln lieferbar</i>  |                      |          |          |          |          |          |          |  |  |  |  |  |  |  |  |  |  |  |
| 12   | 711576    | Tauchfühler   |                      | ●        | ●        | ●        | ●        | ●        | ●        |  |  |  |  |  |  |  |  |  |  |  |
| 13   | 733738    | Steckverbinder Bus/FBG (3-polig, rot)   |                      | ●        | ●        | ●        | ●        | ●        | ●        |  |  |  |  |  |  |  |  |  |  |  |
| 14   | 733635    | Steckverbinder Bus/FBG (4-polig, rot)   |                      | ●        | ●        | ●        | ●        | ●        | ●        |  |  |  |  |  |  |  |  |  |  |  |
| 15   | 733726    | Steckverbinder SpF (2-polig, blau)  |                      | ●        | ●        | ●        | ●        | ●        | ●        |  |  |  |  |  |  |  |  |  |  |  |
| 16   | 733745    | Steckverbinder DCF/AF (3-polig, gelb)   |                      | ●        | ●        | ●        | ●        | ●        | ●        |  |  |  |  |  |  |  |  |  |  |  |
| 17   | 733744    | Steckverbinder ex.Regler ST 1<br>(3-polig, orange)  |                      | ●        | ●        | ●        | ●        | ●        | ●        |  |  |  |  |  |  |  |  |  |  |  |
| 18   | 733741    | Steckverbinder ex.Regler ST 2<br>(3-polig, braun)   |                      | ●        | ●        | ●        | ●        | ●        | ●        |  |  |  |  |  |  |  |  |  |  |  |
| 19   | 733742    | Steckverbinder GDW (3-polig, violett)   |                      | ●        | ●        | ●        | ●        | ●        | ●        |  |  |  |  |  |  |  |  |  |  |  |
| 20   | 733743    | Steckverbinder Abgaskl. (3-polig, weiß)   |                      | ●        | ●        | ●        | ●        | ●        | ●        |  |  |  |  |  |  |  |  |  |  |  |
| 21   | 733737    | Steckverbinder Wassermangel<br>(3-polig, grün)  |                      | ●        | ●        | ●        | ●        | ●        | ●        |  |  |  |  |  |  |  |  |  |  |  |
| 22   | 733750    | Steckverbinder LP/UV (3-polig, braun)   |                      | ●        | ●        | ●        | ●        | ●        | ●        |  |  |  |  |  |  |  |  |  |  |  |
| 23   | 733754    | Verbindungsleitung  |                      | ●        | ●        | ●        | ●        | ●        | ●        |  |  |  |  |  |  |  |  |  |  |  |
| 23   | 733749    | Steckverbinder HP-B (4-polig, natur)  |                      | ●        | ●        | ●        | ●        | ●        | ●        |  |  |  |  |  |  |  |  |  |  |  |
| 24   | 733753    | Kabelbaum   |                      | ●        | ●        | ●        | ●        | ●        | ●        |  |  |  |  |  |  |  |  |  |  |  |
| 24   | 733734    | Steckverbinder Netz (3-polig, grau)   |                      | ●        | ●        | ●        | ●        | ●        | ●        |  |  |  |  |  |  |  |  |  |  |  |
| 25   | 734046    | Verbindungsleitung  |                      | ●        | ●        | ●        | ●        | ●        | ●        |  |  |  |  |  |  |  |  |  |  |  |
| 26   | 250734    | Brenneranschlusskabel (1. Stufe)  |                      | ●        | ●        | ●        | ●        | ●        | ●        |  |  |  |  |  |  |  |  |  |  |  |
| 27   | 300774    | Brenneranschlusskabel (2. Stufe)<br><i>Zubehörartikel, nicht als Ersatzteil bestellbar</i>      |                      |          |          |          |          |          | ○        |  |  |  |  |  |  |  |  |  |  |  |
| 28   | 733877    | Verbindungsleitung (STB)  |                      | ●        | ●        | ●        | ●        | ●        | ●        |  |  |  |  |  |  |  |  |  |  |  |
| 29   | 250790    | Brückenstecker  |                      | ●        | ●        | ●        | ●        | ●        | ●        |  |  |  |  |  |  |  |  |  |  |  |
| 29   | 733768    | Überbrückungsstecker (VIH)  |                      | ●        | ●        | ●        | ●        | ●        | ●        |  |  |  |  |  |  |  |  |  |  |  |
| 30   | 300842    | VRC-MK2<br><i>(Modul 2. Mischerkreis) Zubehörartikel, nicht als Ersatzteil bestellbar</i>       |                      | ○        | ○        | ○        | ○        | ○        | ○        |  |  |  |  |  |  |  |  |  |  |  |
| 31   | 733634    | Steckverbinder Absp. V2 (4-polig, grün)   |                      | ●        | ●        | ●        | ●        | ●        | ●        |  |  |  |  |  |  |  |  |  |  |  |
| 32   | 733752    | Steckverbinder M2 (4-polig, gelb)   |                      | ●        | ●        | ●        | ●        | ●        | ●        |  |  |  |  |  |  |  |  |  |  |  |
| 33   | 733747    | Steckverbinder HPM2<br>(3-polig, orange-braun)  |                      | ●        | ●        | ●        | ●        | ●        | ●        |  |  |  |  |  |  |  |  |  |  |  |

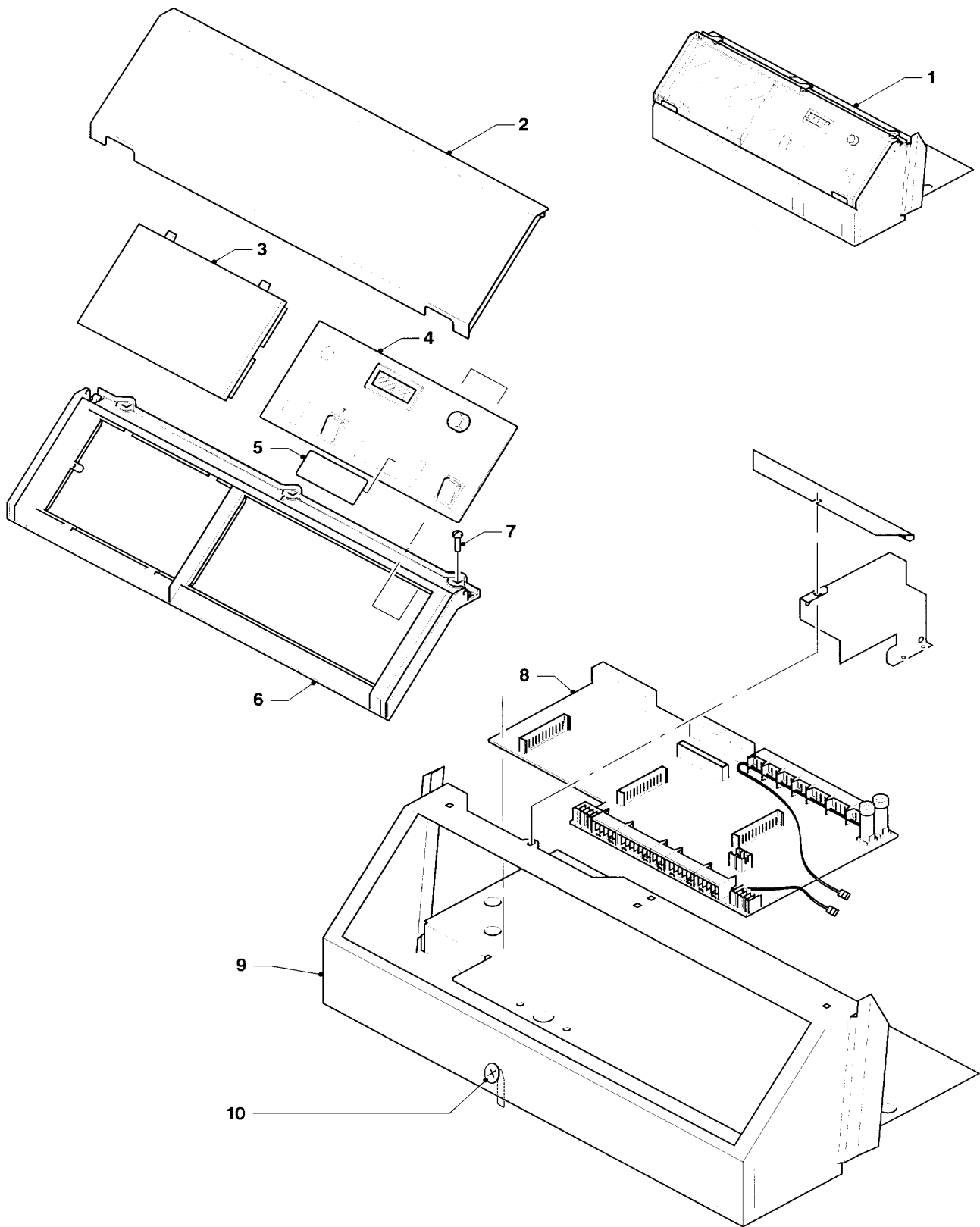
Änderungen vorbehalten!

Die Bruttopreise entnehmen Sie bitte der jeweils gültigen Preisliste.

# 12a Schaltkasten (Gehäuse)

VKO unit 17/3 ... 38/3

VKO 22/3 ... 70/3



04 - 12 - 015

## 12a Schaltkasten (Gehäuse)

VKO unit 17/3 ... 38/3

VKO 22/3 ... 70/3

| Pos. | Teile-Nr. | Bezeichnung  | mit Teilen |       |       |       |          |          |       |       |   |  |  |  |  |  |  |  |  |
|------|-----------|--|------------|-------|-------|-------|----------|----------|-------|-------|---|--|--|--|--|--|--|--|--|
|      |           |  |            | 17 kW | 22 kW | 27 kW | 33/35 kW | 38/42 kW | 55 kW | 70 kW |   |  |  |  |  |  |  |  |  |
|      |           | 04-12-015  |            |       |       |       |          |          |       |       |   |  |  |  |  |  |  |  |  |
| 01   | 257460    | Schaltleiste, kpl.   | 01-10      | ●     | ●     | ●     | ●        | ●        | ●     | ●     | ● |  |  |  |  |  |  |  |  |
| 01   | 257709    | Schaltleiste, kpl.<br><i>nur für Österreich</i>  | 01-10      | ○     | ○     | ○     | ○        | ○        | ○     | ○     | ○ |  |  |  |  |  |  |  |  |
| 02   | 209591    | Abdeckung  |            | ●     | ●     | ●     | ●        | ●        | ●     | ●     | ● |  |  |  |  |  |  |  |  |
| 03   | 209632    | Blindeckel für Heizungsregler  |            | ●     | ●     | ●     | ●        | ●        | ●     | ●     | ● |  |  |  |  |  |  |  |  |
| 04   | 209694    | Deckel (Bedienfeld)  |            | ●     | ●     | ●     | ●        | ●        | ●     | ●     | ● |  |  |  |  |  |  |  |  |
| 05   | 209635    | Blindeckel (Betr.-stundenz.)   |            | ●     | ●     | ●     | ●        | ●        | ●     | ●     | ● |  |  |  |  |  |  |  |  |
| 05   | 009541    | Betriebsstundenzähler 1-stufig<br><i>Zubehörartikel, nicht als Ersatzteil<br/>bestellbar</i> |            | ○     | ○     | ○     | ○        | ○        | ○     | ○     |   |  |  |  |  |  |  |  |  |
| 05   | 009540    | Betriebsstundenzähler 2-stufig<br><i>Zubehörartikel, nicht als Ersatzteil<br/>bestellbar</i> |            |       |       |       |          |          |       |       | ○ |  |  |  |  |  |  |  |  |
| 06   | 136727    | Rahmen (Schaltleiste)  |            | ●     | ●     | ●     | ●        | ●        | ●     | ●     | ● |  |  |  |  |  |  |  |  |
| 07   | 869158    | Sechskantschraube M 5x16   |            | ●     | ●     | ●     | ●        | ●        | ●     | ●     | ● |  |  |  |  |  |  |  |  |
| 08   | 130427    | Basisverdrahtungsplatine   |            | ●     | ●     | ●     | ●        | ●        | ●     | ●     | ● |  |  |  |  |  |  |  |  |
| 09   | -         | <i>nicht einzeln lieferbar</i>   |            |       |       |       |          |          |       |       |   |  |  |  |  |  |  |  |  |
| 10   | 078401    | Riegel, kpl. (Drehriegel)  |            | ●     | ●     | ●     | ●        | ●        | ●     | ●     | ● |  |  |  |  |  |  |  |  |

Änderungen vorbehalten!

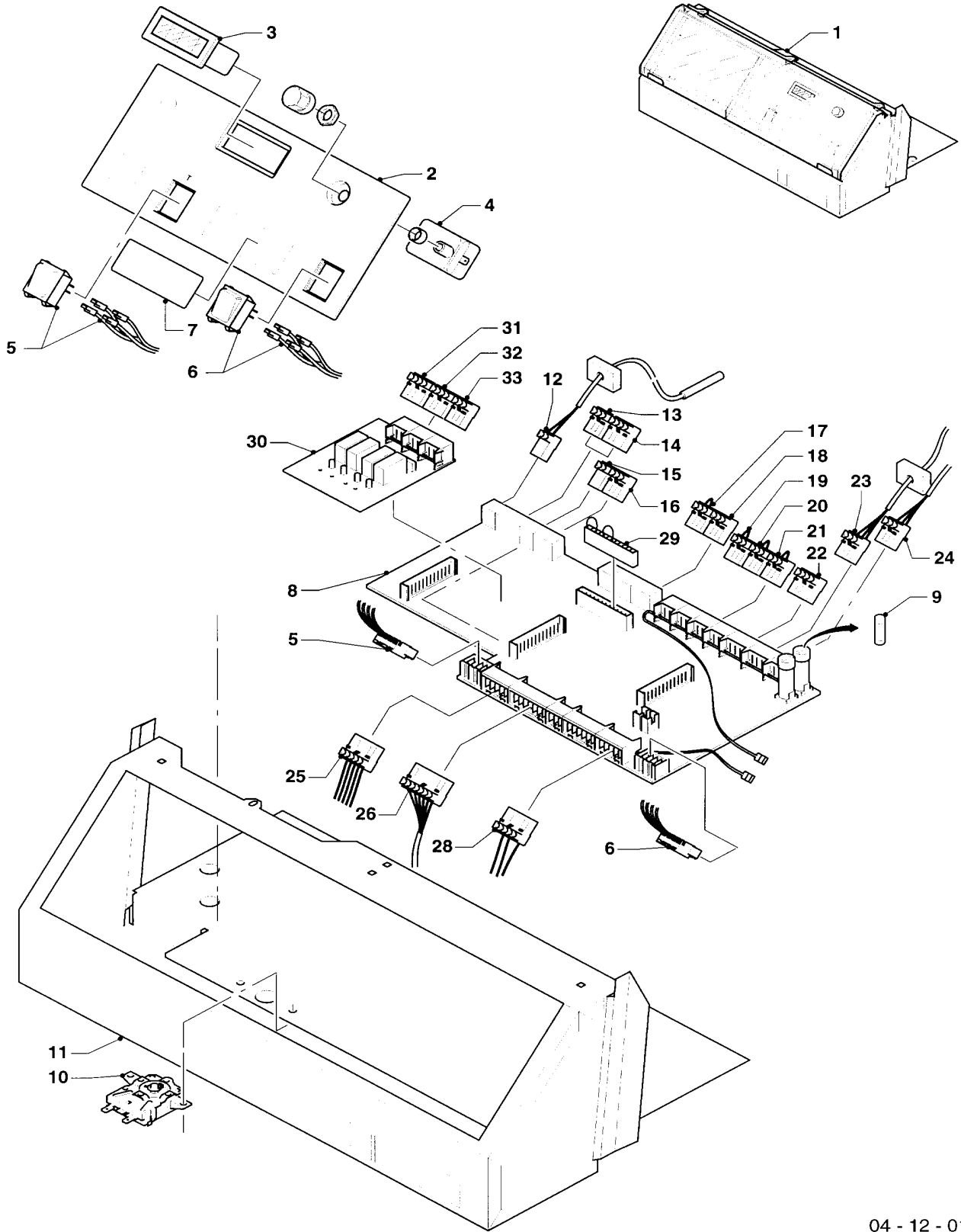
Die Bruttopreise entnehmen Sie bitte der jeweils gültigen Preisliste.



# 12b Schaltkasten (Funktionsteile)

VKO unit 17/3 ... 38/3

VKO 22/3 ... 70/3



04 - 12 - 010

## 12b Schaltkasten (Funktionsteile)

VKO unit 17/3 ... 38/3

VKO 22/3 ... 70/3

| Pos. | Teile-Nr. | Bezeichnung  | mit Teilen           | 17 kW | 22 kW | 27 kW | 33/35 kW | 38/42 kW | 55 kW | 70 kW |  |  |  |  |  |  |  |  |
|------|-----------|--|----------------------|-------|-------|-------|----------|----------|-------|-------|--|--|--|--|--|--|--|--|
|      |           |  |                      |       |       |       |          |          |       |       |  |  |  |  |  |  |  |  |
|      |           | 04-12-010  |                      |       |       |       |          |          |       |       |  |  |  |  |  |  |  |  |
| 01   | 257460    | Schaltleiste, kpl.   | 02-12, 16-26, 28, 29 | ●     | ●     | ●     | ●        | ●        | ●     | ●     |  |  |  |  |  |  |  |  |
| 01   | 257709    | Schaltleiste, kpl.<br><i>nur für Österreich</i>  | 02-12, 16-26, 28, 29 | ○     | ○     | ○     | ○        | ○        | ○     | ○     |  |  |  |  |  |  |  |  |
| 02   | 101562    | Thermometer  |                      | ●     | ●     | ●     | ●        | ●        | ●     | ●     |  |  |  |  |  |  |  |  |
| 03   | 209696    | Deckel (Bedienfeld)  |                      | ●     | ●     | ●     | ●        | ●        | ●     | ●     |  |  |  |  |  |  |  |  |
| 04   | 101135    | Temperaturbegrenzer  |                      | ●     | ●     | ●     | ●        | ●        | ●     | ●     |  |  |  |  |  |  |  |  |
| 04   | -         | <i>siehe Zubehör 92 13</i><br>Temperaturwächter 95° C,<br><i>nicht als Ersatzteil bestellbar</i> |                      | ○     | ○     | ○     | ○        | ○        | ○     | ○     |  |  |  |  |  |  |  |  |
| 05   | 257963    | Schalter, kpl. (STB-Taster)  |                      | ●     | ●     | ●     | ●        | ●        | ●     | ●     |  |  |  |  |  |  |  |  |
| 06   | 257962    | Schalter, kpl. (Ein/Aus)   |                      | ●     | ●     | ●     | ●        | ●        | ●     | ●     |  |  |  |  |  |  |  |  |
| 07   | 209635    | Blinddeckel (Betr.-stundenz.)  |                      | ●     | ●     | ●     | ●        | ●        | ●     | ●     |  |  |  |  |  |  |  |  |
| 07   | 009541    | Betriebsstundenzähler 1-stufig<br><i>Zubehörartikel, nicht als Ersatzteil<br/>bestellbar</i>     |                      | ○     | ○     | ○     | ○        | ○        | ○     | ○     |  |  |  |  |  |  |  |  |
| 07   | 009540    | Betriebsstundenzähler 2-stufig<br><i>Zubehörartikel, nicht als Ersatzteil<br/>bestellbar</i>     |                      |       |       |       |          |          |       | ○     |  |  |  |  |  |  |  |  |
| 08   | 130411    | Leiterplatte, kpl. BVP   | 09                   | ●     | ●     | ●     | ●        | ●        | ●     | ●     |  |  |  |  |  |  |  |  |
| 09   | 251917    | Sicherung  |                      | ●     | ●     | ●     | ●        | ●        | ●     | ●     |  |  |  |  |  |  |  |  |
| 10   | 101125    | Kesseltemperaturregler (83° C)   |                      | ●     | ●     | ●     | ●        | ●        | ●     | ●     |  |  |  |  |  |  |  |  |
| 11   | -         | <i>nicht einzeln lieferbar</i>   |                      |       |       |       |          |          |       |       |  |  |  |  |  |  |  |  |
| 12   | 711576    | Tauchfühler  |                      | ●     | ●     | ●     | ●        | ●        | ●     | ●     |  |  |  |  |  |  |  |  |
| 13   | 733738    | Steckverbinder Bus/FBG (3-polig, rot)  |                      | ●     | ●     | ●     | ●        | ●        | ●     | ●     |  |  |  |  |  |  |  |  |
| 14   | 733635    | Steckverbinder Bus/FBG (4-polig, rot)  |                      | ●     | ●     | ●     | ●        | ●        | ●     | ●     |  |  |  |  |  |  |  |  |
| 15   | 733726    | Steckverbinder SpF (2-polig, blau)   |                      | ●     | ●     | ●     | ●        | ●        | ●     | ●     |  |  |  |  |  |  |  |  |
| 16   | 733745    | Steckverbinder DCF/AF (3-polig, gelb)  |                      | ●     | ●     | ●     | ●        | ●        | ●     | ●     |  |  |  |  |  |  |  |  |
| 17   | 733744    | Steckverbinder ex.Regler ST 1<br>(3-polig, orange)   |                      | ●     | ●     | ●     | ●        | ●        | ●     | ●     |  |  |  |  |  |  |  |  |
| 18   | 733741    | Steckverbinder ex.Regler ST 2<br>(3-polig, braun)  |                      | ●     | ●     | ●     | ●        | ●        | ●     | ●     |  |  |  |  |  |  |  |  |
| 19   | 733742    | Steckverbinder GDW (3-polig, violett)  |                      | ●     | ●     | ●     | ●        | ●        | ●     | ●     |  |  |  |  |  |  |  |  |
| 20   | 733743    | Steckverbinder Abgaskl. (3-polig, weiß)  |                      | ●     | ●     | ●     | ●        | ●        | ●     | ●     |  |  |  |  |  |  |  |  |
| 21   | 733737    | Steckverbinder Wassermangel<br>(3-polig, grün)   |                      | ●     | ●     | ●     | ●        | ●        | ●     | ●     |  |  |  |  |  |  |  |  |
| 22   | 733750    | Steckverbinder LP/UV (3-polig, braun)  |                      | ●     | ●     | ●     | ●        | ●        | ●     | ●     |  |  |  |  |  |  |  |  |
| 23   | 733754    | Verbindungsleitung   |                      | ●     | ●     | ●     | ●        | ●        | ●     | ●     |  |  |  |  |  |  |  |  |
| 23   | 733749    | Steckverbinder HP-B (4-polig, natur)   |                      | ●     | ●     | ●     | ●        | ●        | ●     | ●     |  |  |  |  |  |  |  |  |
| 24   | 733753    | Kabelbaum  |                      | ●     | ●     | ●     | ●        | ●        | ●     | ●     |  |  |  |  |  |  |  |  |
| 24   | 733734    | Steckverbinder Netz (3-polig, grau)  |                      | ●     | ●     | ●     | ●        | ●        | ●     | ●     |  |  |  |  |  |  |  |  |
| 25   | 734046    | Verbindungsleitung   |                      | ●     | ●     | ●     | ●        | ●        | ●     | ●     |  |  |  |  |  |  |  |  |
| 26   | 250734    | Brenneranschlusskabel (1. Stufe)   |                      | ●     | ●     | ●     | ●        | ●        | ●     | ●     |  |  |  |  |  |  |  |  |
| 27   | 300774    | Brenneranschlusskabel (2. Stufe)<br><i>Zubehörartikel, nicht als Ersatzteil<br/>bestellbar</i>   |                      |       |       |       |          |          |       | ○     |  |  |  |  |  |  |  |  |
| 28   | 733877    | Verbindungsleitung (STB)   |                      | ●     | ●     | ●     | ●        | ●        | ●     | ●     |  |  |  |  |  |  |  |  |
| 29   | 250790    | Brückenstecker   |                      | ●     | ●     | ●     | ●        | ●        | ●     | ●     |  |  |  |  |  |  |  |  |
| 29   | 733768    | Überbrückungsstecker (VIH)   |                      | ●     | ●     | ●     | ●        | ●        | ●     | ●     |  |  |  |  |  |  |  |  |
| 30   | 300842    | VRC-MK2<br><i>(Modul 2. Mischerkreis) Zubehörartikel,<br/>nicht als Ersatzteil bestellbar</i>    |                      | ○     | ○     | ○     | ○        | ○        | ○     | ○     |  |  |  |  |  |  |  |  |
| 31   | 733634    | Steckverbinder Absp. V2 (4-polig, grün)  |                      | ●     | ●     | ●     | ●        | ●        | ●     | ●     |  |  |  |  |  |  |  |  |
| 32   | 733752    | Steckverbinder M2 (4-polig, gelb)  |                      | ●     | ●     | ●     | ●        | ●        | ●     | ●     |  |  |  |  |  |  |  |  |
| 33   | 733747    | Steckverbinder HPM2<br>(3-polig, orange-braun)   |                      | ●     | ●     | ●     | ●        | ●        | ●     | ●     |  |  |  |  |  |  |  |  |

Änderungen vorbehalten!

Die Bruttopreise entnehmen Sie bitte der jeweils gültigen Preisliste.

**Vaillant GmbH**  
Berghauser Str. 40 ■ 42859 Remscheid ■ Telefon 0 21 91/18-0  
Telefax 0 21 91/18-28 10 ■ [www.vaillant.de](http://www.vaillant.de) ■ [info@vaillant.de](mailto:info@vaillant.de)