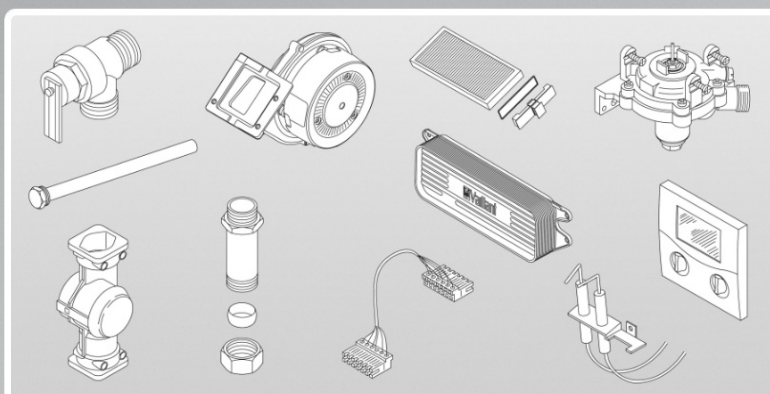


## Wall-hung boilers • Gas-Wandheizgeräte



### ecoTEC pro/plus

VU INT IV 166/5-5 R6  
VU INT IV 246/5-5 R6  
VU INT IV 306/5-5 R6  
VU INT IV 386/5-5 R6

VUW INT IV 236/5-3 R6  
VUW INT IV 286/5-3 R6

VUW INT IV 246/5-5 R6  
VUW INT IV 306/5-5 R6  
VUW INT IV 346/5-5 R6

0020258877\_00 INT IV 03/2017

# Content

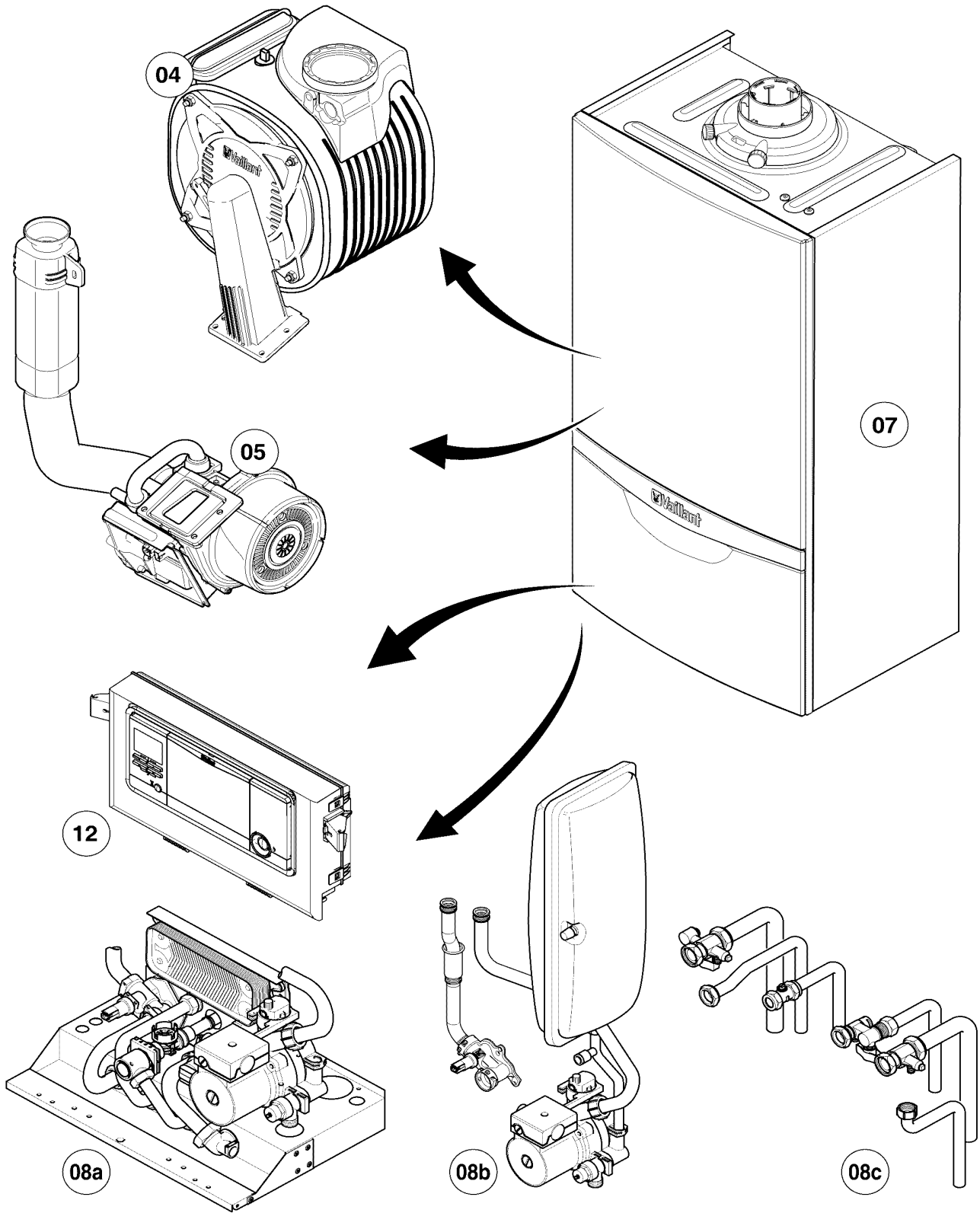
<b>General view of sheet</b>	VU INT IV 166/5-5 R6, VU INT IV 246/5-5 R6, VU INT IV 306/5-5 R6, VU INT IV 386/5-5 R6	3
<b>04 Burner, Heat exchanger</b>		4
<b>05 Gas section</b>		6
<b>07 Casing parts</b>		8
<b>08a Hydraulic parts (Hydroblock)</b>		10
<b>08b Hydraulic parts</b>		12
<b>08c Connection parts (Acc.)</b>		14
<b>12 Control box</b>		16
<b>General view of sheet</b>	VUW INT IV 236/5-3 R6, VUW INT IV 286/5-3 R6	19
<b>04 Burner, Heat exchanger</b>		20
<b>05 Gas section</b>		22
<b>07 Casing parts</b>		24
<b>08a Hydraulic parts (Hydroblock)</b>		26
<b>08b Hydraulic parts</b>		
<b>08c Connection parts (Acc.)</b>		30
<b>12 Control box</b>		32
<b>General view of sheet</b>	VUW INT IV 246/5-5 R6, VUW INT IV 306/5-5 R6, VUW INT IV 346/5-5 R6	35
<b>04 Burner, Heat exchanger</b>		36
<b>05 Gas section</b>		38
<b>07 Casing parts</b>		40
<b>08a Hydraulic parts (Hydroblock)</b>		42
<b>08b Hydraulic parts</b>		44
<b>08c Connection parts (Acc.)</b>		46
<b>12 Control box</b>		48
<b>Notes Notizen</b>		50

In order to maintain the safe and efficient operation of this appliance, only genuine Vaillant spare parts must be used.

Um alle Funktionen des Vaillant Gerätes auf Dauer sicherzustellen und um den zugelassenen Serienstand nicht zu verändern, dürfen bei Wartungs- und Instandhaltungsarbeiten nur Original Vaillant Ersatzteile verwendet werden!

# General view of sheet - Baugruppenübersicht

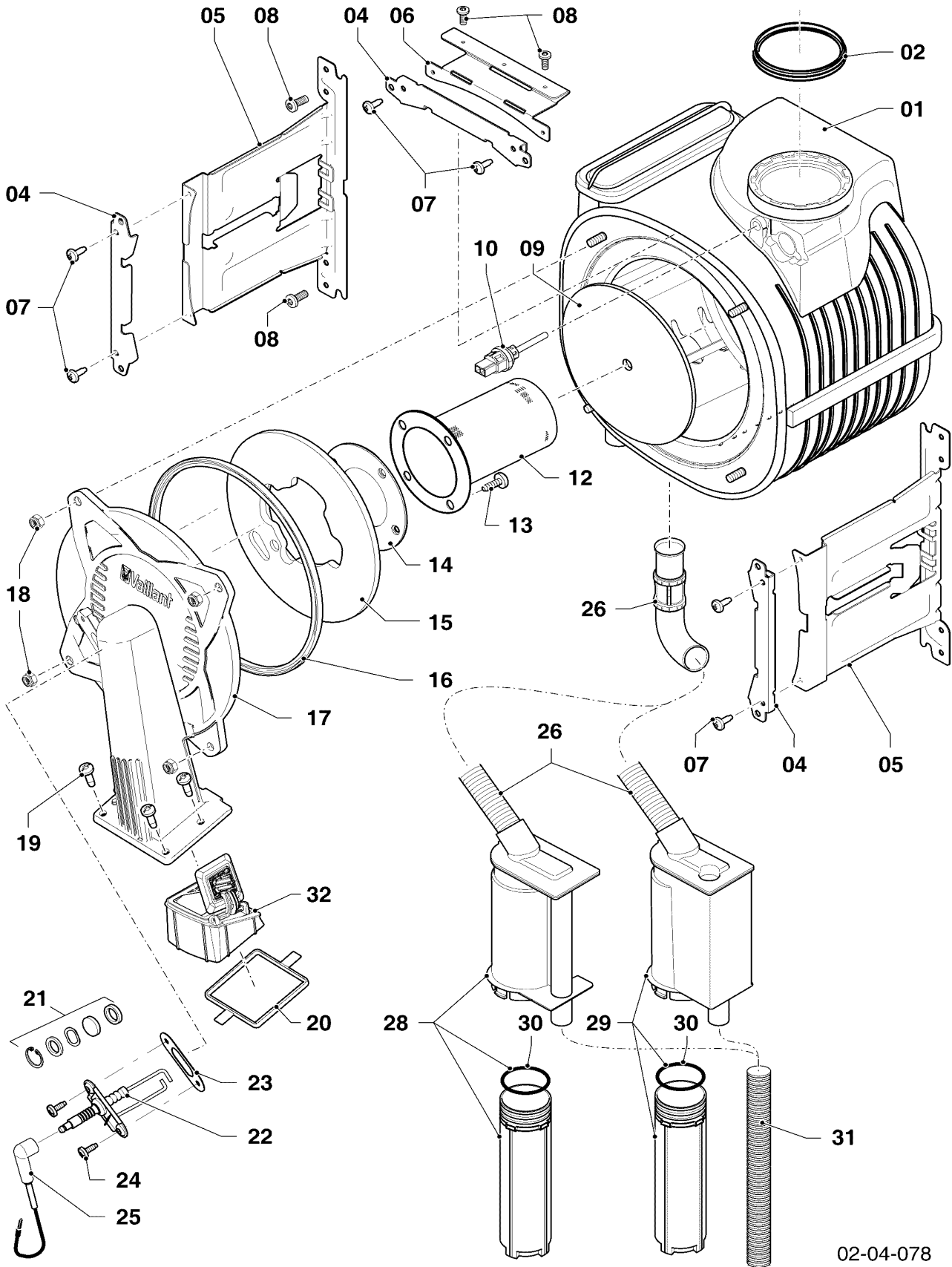
VU INT IV 166/5-5 R6, VU INT IV 246/5-5 R6, VU INT IV 306/5-5 R6, VU INT IV 386/5-5 R6



02-00-111

# 04 Burner, Heat exchanger

VU INT IV 166/5-5 R6, VU INT IV 246/5-5 R6, VU INT IV 306/5-5 R6, VU INT IV 386/5-5 R6



02-04-078

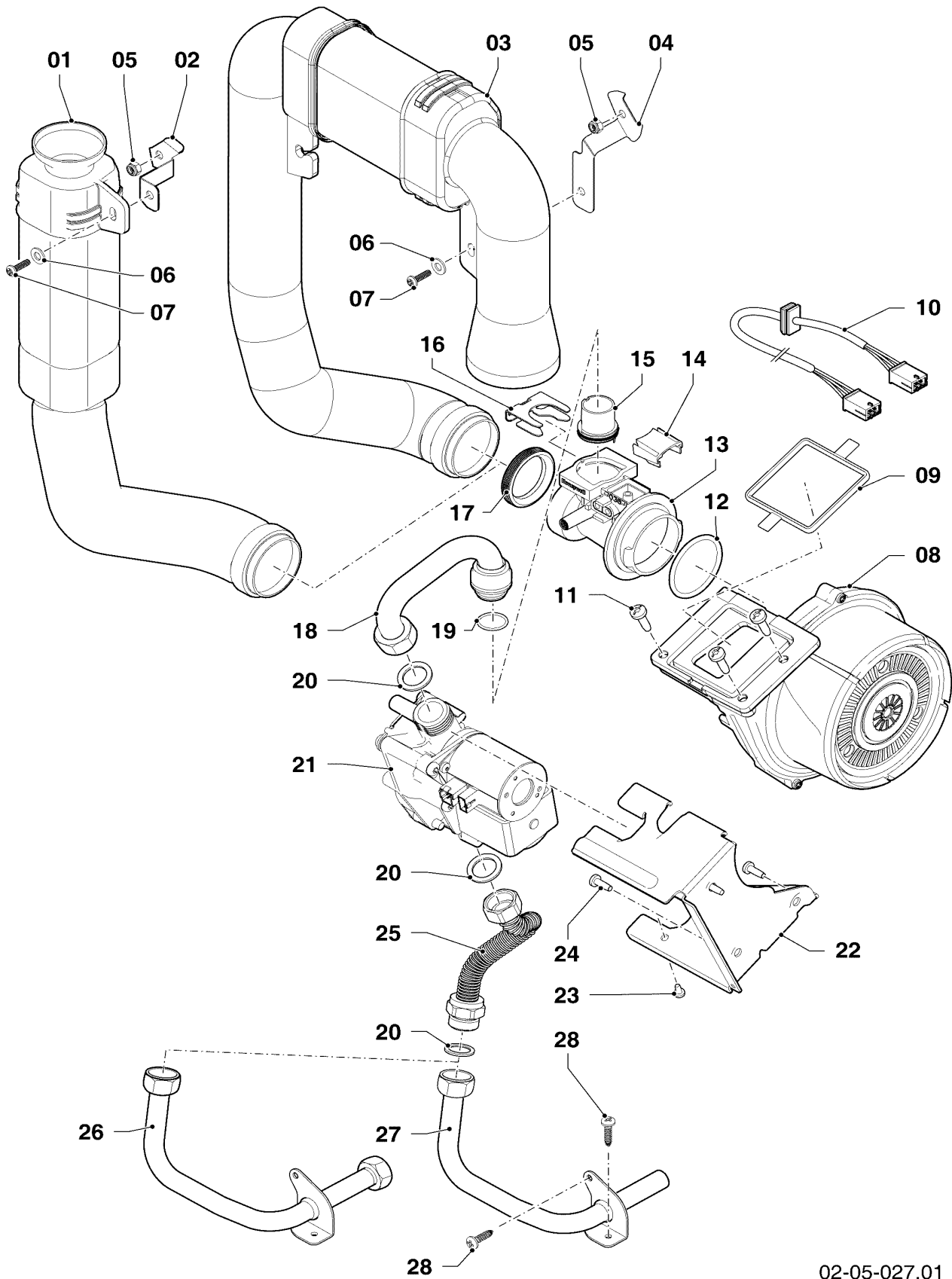
## 04 Burner, Heat exchanger

VU INT IV 166/5-5 R6, VU INT IV 246/5-5 R6, VU INT IV 306/5-5 R6, VU INT IV 386/5-5 R6

Pos.	Art.-No Teile-Nr.	Part Bezeichnung	Type, note Typ, Bemerkung
		0204078	
01	0020246710	Heat exchanger	VU INT IV 166/5-5 R6, with parts 09, 16, 18
01	0020246710	Heat exchanger	VU INT IV 246/5-5 R6, with parts 09, 16, 18
01	0020246711	Heat exchanger	VU INT IV 306/5-5 R6, with parts 09, 16, 18
01	0020252804	Heat exchanger	VU INT IV 386/5-5 R6, with parts 09, 16, 18
02	981227	Sealing ring EPDM (DN 80)	
04	0020135117	Support, heat exchanger	with part 07
05	0020135112	Support PHE	VU INT IV 166/5-5 R6, with parts 07, 08
05	0020135112	Support PHE	VU INT IV 246/5-5 R6, with parts 07, 08
05	0020135113	Support PHE	VU INT IV 306/5-5 R6, with parts 07, 08
05	0020135115	Support PHE	VU INT IV 386/5-5 R6, with parts 07, 08
06	0020135116	Support PHE top	VU INT IV 386/5-5 R6, with parts 07, 08
07	0020133828	Screw, (PK10)	
08	0020136643	Screw, (PK10)	
09	0020252122	Insulation, 24 mm	
10	-	-	not for these appliances
12	0020223029	Burner	VU INT IV 166/5-5 R6, with parts 13, 14
12	0020223029	Burner	VU INT IV 246/5-5 R6, with parts 13, 14
12	0020223030	Burner	VU INT IV 306/5-5 R6, with parts 13, 14
12	050430	Burner	VU INT IV 386/5-5 R6, with parts 13, 14
13	105900	Screw, (PK10)	
14	981103	Gasket burner	
15	193595	Insulation	with parts 13, 14
16	0020025929	Gasket kit	with part 18
17	0020135118	Flange	with parts 13, 14, 16, 18, 19, 20, 21, 23, 24
18	0020026537	Nut, M6 (PK5)	
19	193597	Screw, (PK10)	
20	193594	Gasket	
21	161245	Inspection glass	
22	0020133816	Electrode	with parts 23, 24
23	981330	Gasket electrode	
24	0020198257	Screw, (PK10)	
25	0020135119	Cable	
25	0020075412	Plug (ignition)	
26	-	-	not available as spare part, see pict. no.28
28	0020184119	Siphon/trap	with part 26
29	-	-	not for these appliances
30	0020077919	O-ring, (PK5)	
31	0020144602	Hose, condensate	
32	-	-	not for these appliances

## 05 Gas section

VU INT IV 166/5-5 R6, VU INT IV 246/5-5 R6, VU INT IV 306/5-5 R6, VU INT IV 386/5-5 R6



02-05-027.01

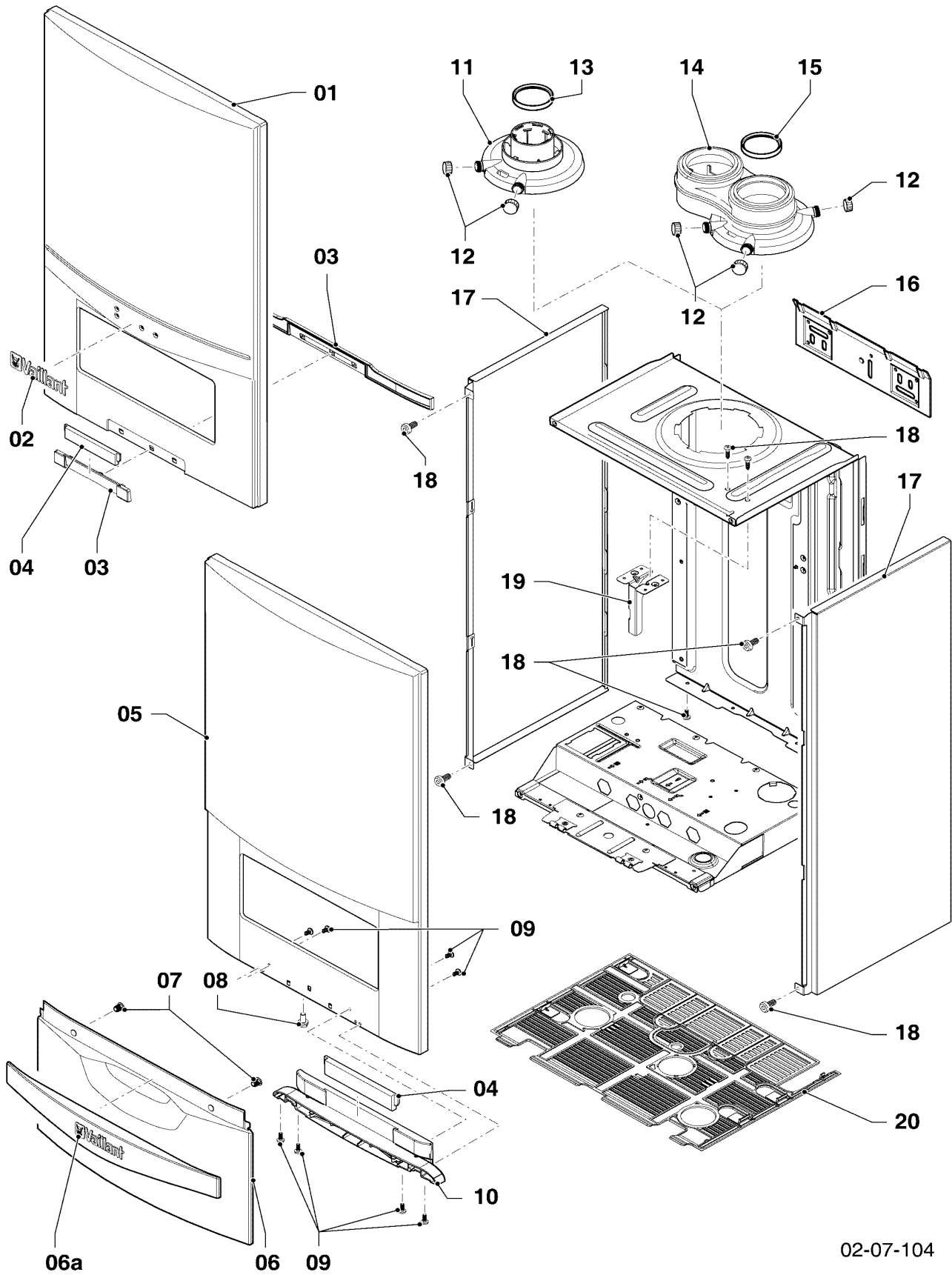
## 05 Gas section

VU INT IV 166/5-5 R6, VU INT IV 246/5-5 R6, VU INT IV 306/5-5 R6, VU INT IV 386/5-5 R6

Pos.	Art.-No Teile-Nr.	Part Bezeichnung	Type, note Typ, Bemerkung
		0205027	
00	0020175903	Conversion kit to H	VU INT IV 166/5-5 R6, to natural gas H, not shown
00	0020175903	Conversion kit to H	VU INT IV 246/5-5 R6, to natural gas H, not shown
00	0020175904	Conversion kit to H	VU INT IV 306/5-5 R6, to natural gas H, not shown
00	0020175903	Conversion kit to H	VU INT IV 386/5-5 R6, to natural gas H, not shown
00	0020175905	Conversion kit to P	VU INT IV 166/5-5 R6, to liquid gas P, not shown
00	0020175905	Conversion kit to P	VU INT IV 246/5-5 R6, to liquid gas P, not shown
00	0020175906	Conversion kit to P	VU INT IV 306/5-5 R6, to liquid gas P, not shown
00	0020175905	Conversion kit to P	VU INT IV 386/5-5 R6, to liquid gas P, not shown
01	0020135147	Air inlet pipe	VU INT IV 166/5-5 R6
01	0020135147	Air inlet pipe	VU INT IV 246/5-5 R6
02	0020135150	Support air inlet duct	VU INT IV 166/5-5 R6, with parts 05, 06, 07
02	0020135150	Support air inlet duct	VU INT IV 246/5-5 R6, with parts 05, 06, 07
03	0020135148	Air inlet pipe	VU INT IV 306/5-5 R6
03	0020135148	Air inlet pipe	VU INT IV 386/5-5 R6
04	0020135151	Support air inlet duct	VU INT IV 306/5-5 R6, with parts 05, 06, 07
04	0020135151	Support air inlet duct	VU INT IV 386/5-5 R6, with parts 05, 06, 07
05	0020026537	Nut, M6 (PK5)	
06	0020135152	Washer, (PK10)	
07	0020133833	Screw, (PK10)	
08	0020135138	Fan	VU INT IV 166/5-5 R6, with parts 09, 11, 12, 20, 23, 24
08	0020135138	Fan	VU INT IV 246/5-5 R6, with parts 09, 11, 12, 20, 23, 24
08	0020135138	Fan	VU INT IV 306/5-5 R6, with parts 09, 11, 12, 20, 23, 24
08	0020135139	Fan	VU INT IV 386/5-5 R6, with parts 09, 11, 12, 20, 23, 24
09	193594	Gasket	
10	0020233882	Cable, fan 230V	VU INT IV 386/5-5 R6
11	193597	Screw, (PK10)	
12	0020135120	O-ring venturi (PK5)	
13	0020135122	Venturi	VU INT IV 166/5-5 R6, Attention: You have to reuse the throttle jet (part 15)! with parts 12, 14, 19, 20
13	0020135122	Venturi	VU INT IV 246/5-5 R6, Attention: You have to reuse the throttle jet (part 15)! with parts 12, 14, 19, 20
13	0020135123	Venturi	VU INT IV 306/5-5 R6, Attention: You have to reuse the throttle jet (part 15)! with parts 12, 14, 19, 20
13	0020135124	Venturi	VU INT IV 386/5-5 R6, Attention: You have to reuse the throttle jet (part 15)! with parts 12, 14, 19, 20
14	0020136647	Cap (over venturi filter)	
15	0020135126	Throttle jet + gas coding plug (yellow)	for natural gas H, with parts 12, 19, 20
15	0020135128	Throttle jet + gas coding plug (grey)	for liquid gas P, with parts 12,19,20
16	0020136636	Clip (PK10)	
17	0020135149	Gasket air inlet duct	
18	0020135136	Gas pipe	with parts 12, 19, 20
19	0020135135	O-ring (PK10)	
20	981142	Sealing ring, (PK10)	
21	0020146733	Gas section with regulator	VU INT IV 166/5-5 R6, for natural gas and liquid gas, with parts 09, 20, 23
21	0020146733	Gas section with regulator	VU INT IV 246/5-5 R6, for natural gas and liquid gas, with parts 09, 20, 23
21	0020135144	Gas section	VU INT IV 306/5-5 R6, for natural gas, with parts 09, 20, 23
21	0020146733	Gas section with regulator	VU INT IV 306/5-5 R6, for liquid gas, with parts 09, 20, 23
21	0020148397	Gas section with regulator	VU INT IV 386/5-5 R6, for natural gas and liquid gas, with parts 09, 20, 23
22	0020135145	Support gas section	with parts 09, 11, 20, 23, 24
23	108628	Screw, (PK10)	
24	509685	Screw, (PK10)	
25	0020141340	Gas pipe, top	with part 20
26	-	-	not for these appliances
27	0020141343	Gas pipe, bottom	with parts 20, 28
28	0020136643	Screw, (PK10)	

## 07 Casing parts

VU INT IV 166/5-5 R6, VU INT IV 246/5-5 R6, VU INT IV 306/5-5 R6, VU INT IV 386/5-5 R6



02-07-104



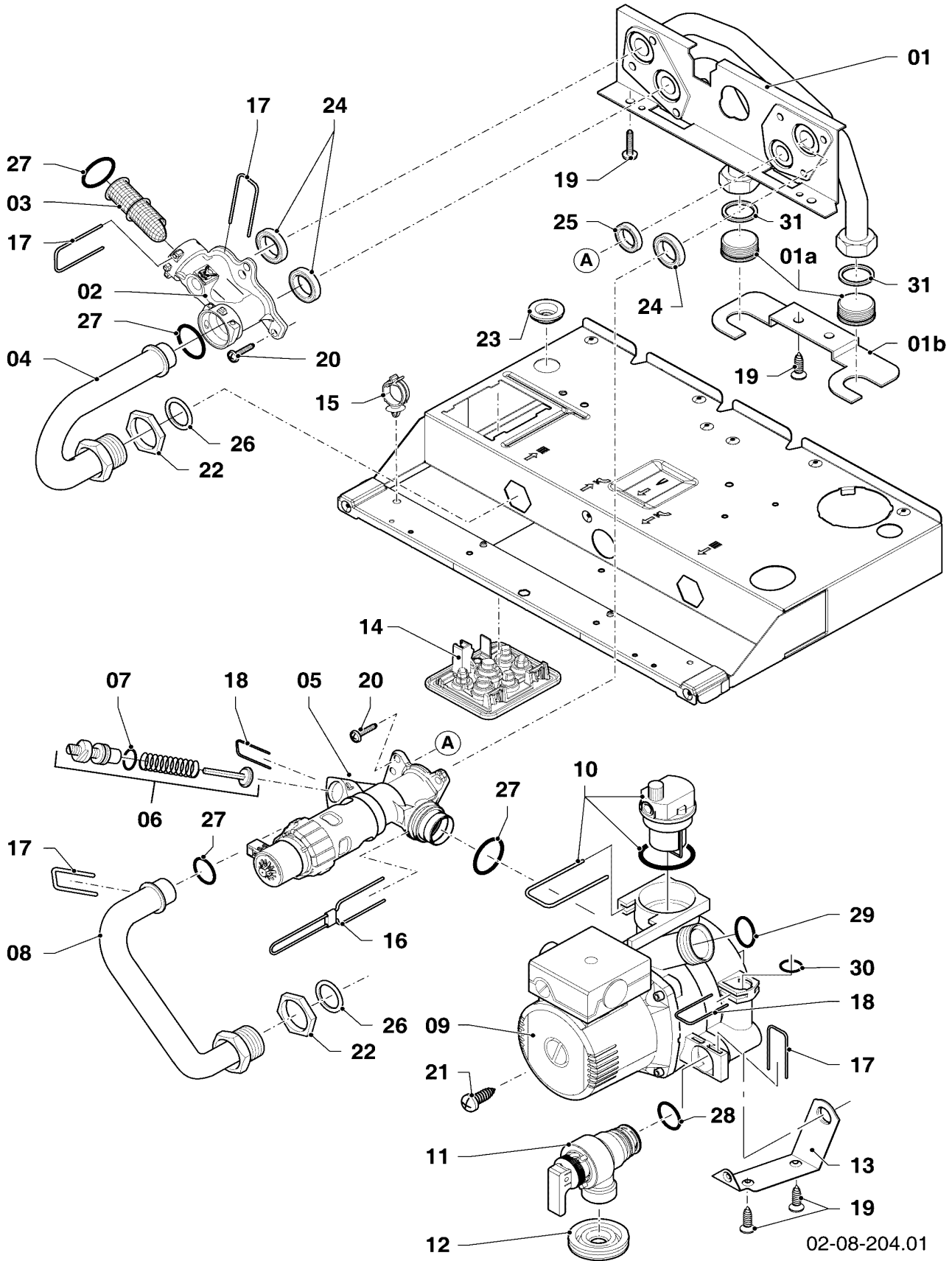
## 07 Casing parts

VU INT IV 166/5-5 R6, VU INT IV 246/5-5 R6, VU INT IV 306/5-5 R6, VU INT IV 386/5-5 R6

Pos.	Art.-No Teile-Nr.	Part Bezeichnung	Type, note Typ, Bemerkung
		0207104	
01	-	-	not for these appliances
02	-	-	not for these appliances
03	-	-	not for these appliances
04	0020141349	Plate, product name	
05	0020144590	Casing parts, front (plus)	VU INT IV 166/5-5 R6, with parts 06, 06a, 07, 08, 09, 10
05	0020144590	Casing parts, front (plus)	VU INT IV 246/5-5 R6, with parts 06, 06a, 07, 08, 09, 10
05	0020144590	Casing parts, front (plus)	VU INT IV 306/5-5 R6, with parts 06, 06a, 07, 08, 09, 10
05	0020144592	Casing parts, front (plus)	VU INT IV 386/5-5 R6, with parts 06, 06a, 07, 08, 09, 10
06	0020144594	Cover	with parts 06a, 07, 09, 10
06a	0020144609	Handle	with part 07
07	0020068136	Magnet, (PK2)	
08	105839	Screw, (PK10)	
09	193538	Screw, (PK10)	
10	0020144595	Hinge	with part 09
11	0020144596	Adapter, 60/100	VU INT IV 166/5-5 R6, with parts 12, 13
11	0020144596	Adapter, 60/100	VU INT IV 246/5-5 R6, with parts 12, 13
11	0020144596	Adapter, 60/100	VU INT IV 306/5-5 R6, with parts 12, 13
11	0020170811	Adapter, 80/125	VU INT IV 386/5-5 R6, with parts 12, 13
12	147392	Cap, (PK5)	
13	981233	Lip seal EPDM (DN 60)	VU INT IV 166/5-5 R6
13	981233	Lip seal EPDM (DN 60)	VU INT IV 246/5-5 R6
13	981233	Lip seal EPDM (DN 60)	VU INT IV 306/5-5 R6
13	981227	Sealing ring EPDM (DN 80)	VU INT IV 386/5-5 R6
14	-	-	not for these appliances
15	-	-	not for these appliances
16	180987	Support	
16	0020130588	Fastening kit (screws + plugs)	not shown
17	0020144593	Casing parts, side panel	with part 18
18	0020136643	Screw, (PK10)	
19	0020144598	Support (expansion vessel)	with part 18
20	-	-	not for these appliances

# 08a Hydraulic parts (Hydroblock)

VU INT IV 166/5-5 R6, VU INT IV 246/5-5 R6, VU INT IV 306/5-5 R6, VU INT IV 386/5-5 R6



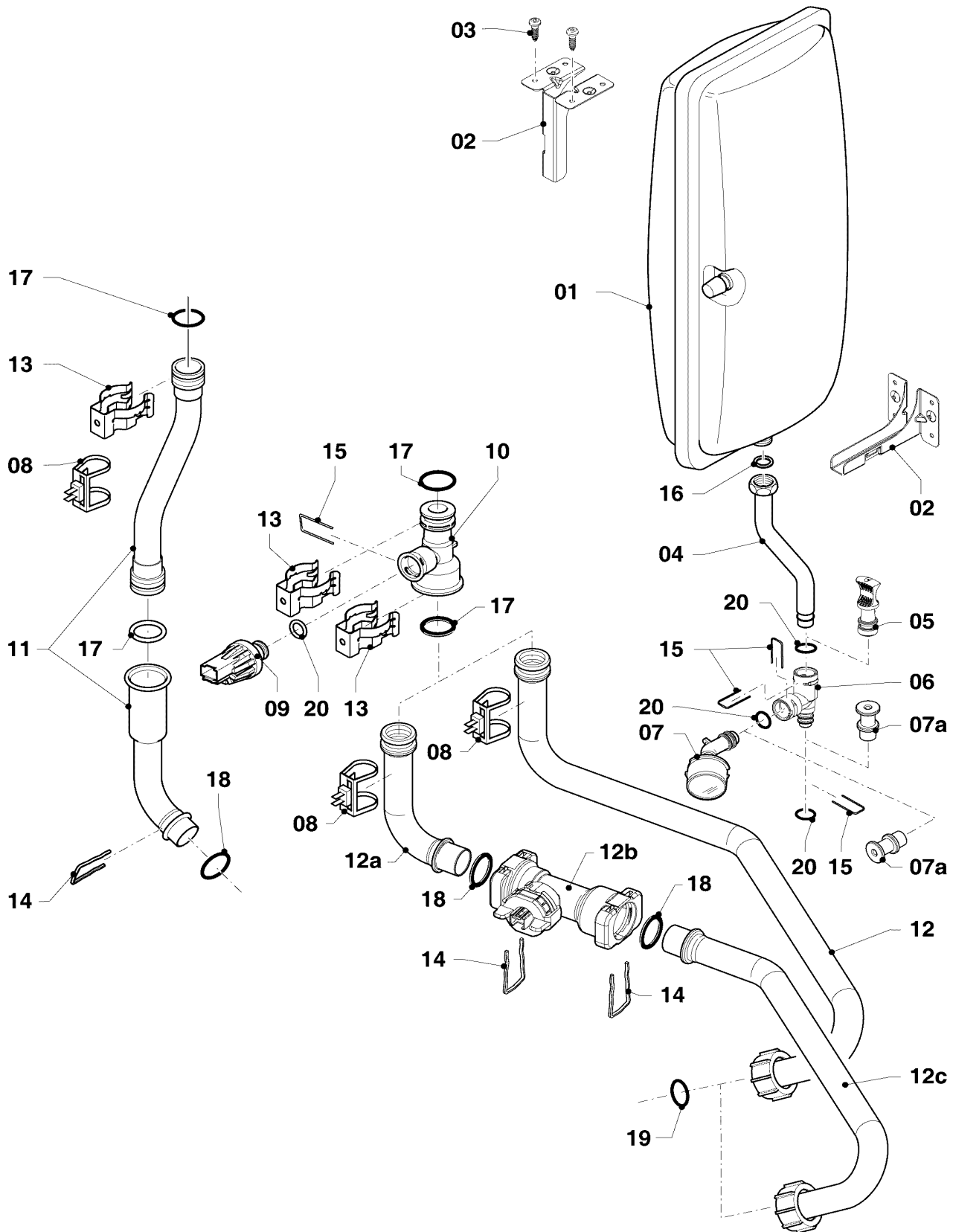
## 08a Hydraulic parts (Hydroblock)

VU INT IV 166/5-5 R6, VU INT IV 246/5-5 R6, VU INT IV 306/5-5 R6, VU INT IV 386/5-5 R6

Pos.	Art.-No Teile-Nr.	Part Bezeichnung	Type, note Typ, Bemerkung
		0208204	
01	0020046782	Plate	with parts 19, 20, 24, 25, 27
01a	0020052070	Plug, (PK2)	with part 31
01b	-	-	cannot be delivered as spare part
02	0020140559	Connection, composite	with parts 03, 17, 18, 20, 24, 27, 30
03	179030	Filter	with parts 17, 27
04	179033	Pipe	with parts 22, 26, 27
05	0020132683	Diverter valve, brass	with parts 17, 20, 24, 25, 27
06	178980	Bypass	with parts 07, 18
07	981165	O-ring, (PK10)	
08	180999	Pipe	with parts 26, 27
09	0020213167	Pump	VU INT IV 166/5-5 R6, with parts 10,13,17,18,19,21,24,25,27,28,29,30
09	0020213167	Pump	VU INT IV 246/5-5 R6, with parts 10,13,17,18,19,21,24,25,27,28,29,30
09	0020213167	Pump	VU INT IV 306/5-5 R6, with parts 10,13,17,18,19,21,24,25,27,28,29,30
09	0020213168	Pump	VU INT IV 386/5-5 R6, with parts 10,13,17,18,19,21,24,25,27,28,29,30
10	104521	Automatic de-aerator	
11	178985	Pressure relief valve, 3 bar	with parts 17, 28
12	0020039723	Gasket	
13	178984	Support	with parts 19, 21
14	0020144603	Cable bushing	
15	0020144599	Clip, (PK5)	
16	178981	Clip	
17	178992	Clip, (PK10)	
18	0020107694	Clip, (PK5)	
19	0020107695	Screw, (PK10)	
20	0020133828	Screw, (PK10)	
21	0020133833	Screw, (PK10)	
22	0020144600	Nut, 3/4 (PK4)	
23	509120	Gasket, (PK10)	
24	193535	Gasket, C-type (PK10)	
25	178969	Gasket, C-type (PK10)	
26	981140	Sealing ring, 3/4 (PK10)	
27	193537	O-ring, (PK10)	
28	178986	O-ring, (PK10)	
29	193539	O-ring, (PK10)	
30	178993	O-ring, (PK10)	
31	981142	Sealing ring, (PK10)	

## 08b Hydraulic parts

VU INT IV 166/5-5 R6, VU INT IV 246/5-5 R6, VU INT IV 306/5-5 R6, VU INT IV 386/5-5 R6



02-08-201.03

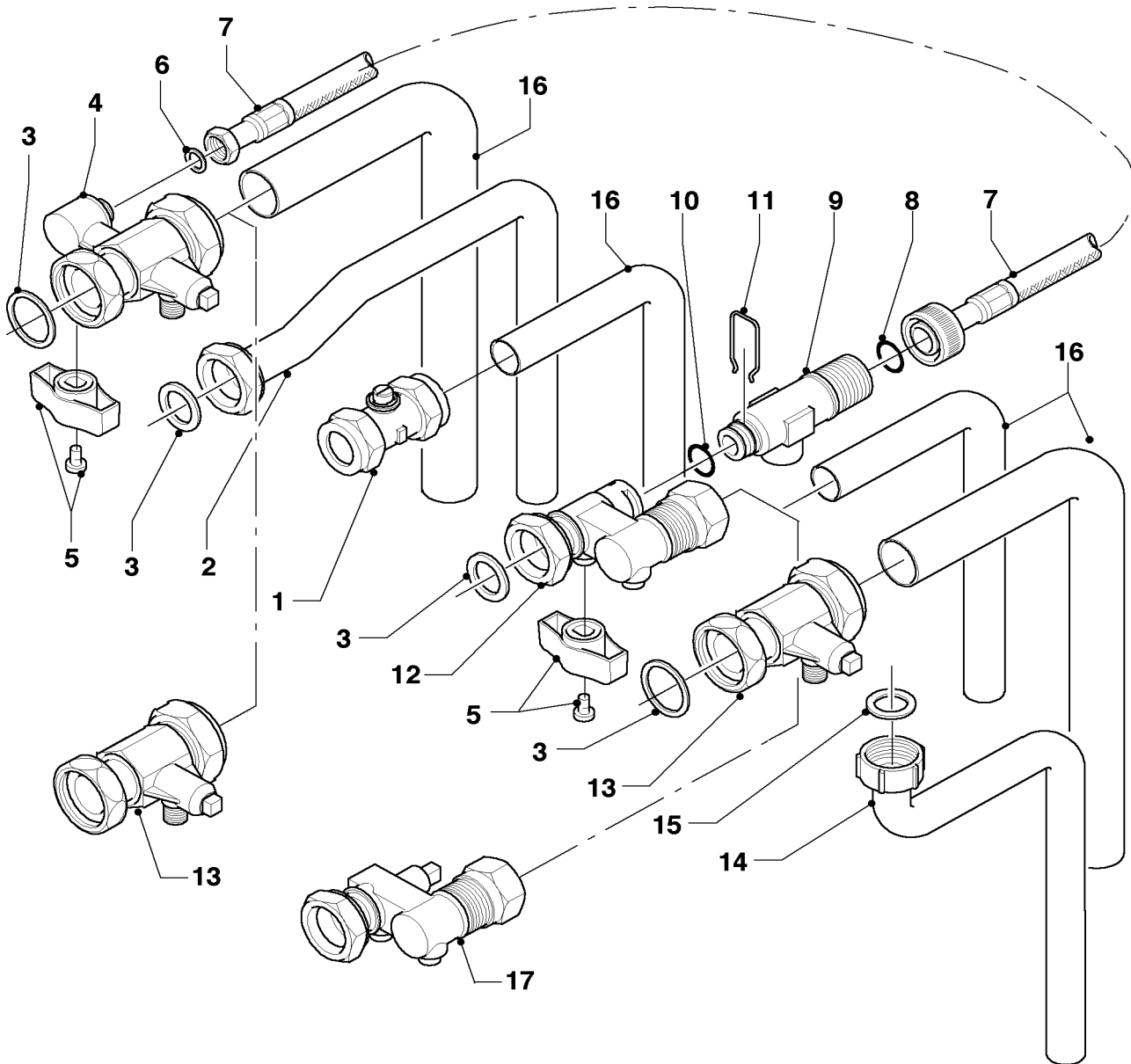
## 08b Hydraulic parts

VU INT IV 166/5-5 R6, VU INT IV 246/5-5 R6, VU INT IV 306/5-5 R6, VU INT IV 386/5-5 R6

Pos.	Art.-No Teile-Nr.	Part Bezeichnung	Type, note Typ, Bemerkung
		0208201	
01	181051	Expansion vessel 10 ltr.	
02	0020144598	Support (expansion vessel)	with part 03
03	0020136643	Screw, (PK10)	
04	0020144605	Tube, expansion vessel	with parts 15, 16, 20
05	-	-	not for these appliances
06	0020144608	Adapter	with parts 15, 20
07	0020144606	Pressure gauge	with parts 15, 20
07a	-	-	not for these appliances
08	193592	Sensor NTC (CH flow/CH return)	
09	0020059717	Sensor (water pressure)	with parts 15, 20
10	0020087657	Adapter	with parts 15, 17, 20
11	0020068956	Connection tube (kit)	VU INT IV 166/5-5 R6, with parts 17, 18
11	0020068956	Connection tube (kit)	VU INT IV 246/5-5 R6, with parts 17, 18
11	0020068956	Connection tube (kit)	VU INT IV 306/5-5 R6, with parts 17, 18
11	0020068957	Connection tube (kit)	VU INT IV 386/5-5 R6, with parts 17, 18
12	0020068958	Connection tube	with parts 10, 13, 15, 17, 19, 20
12a	-	-	not for these appliances
12b	-	-	not for these appliances
12c	-	-	not for these appliances
13	103417	Clip, (PK10)	
14	178992	Clip, (PK10)	
15	0020107694	Clip, (PK5)	
16	981149	Sealing ring, (PK10)	
17	103415	O-ring, (PK10)	
18	193537	O-ring, (PK10)	
19	193539	O-ring, (PK10)	
20	178993	O-ring, (PK10)	

### 08c Connection parts (Acc.)

VU INT IV 166/5-5 R6, VU INT IV 246/5-5 R6, VU INT IV 306/5-5 R6, VU INT IV 386/5-5 R6



02 - 08 - 125.01

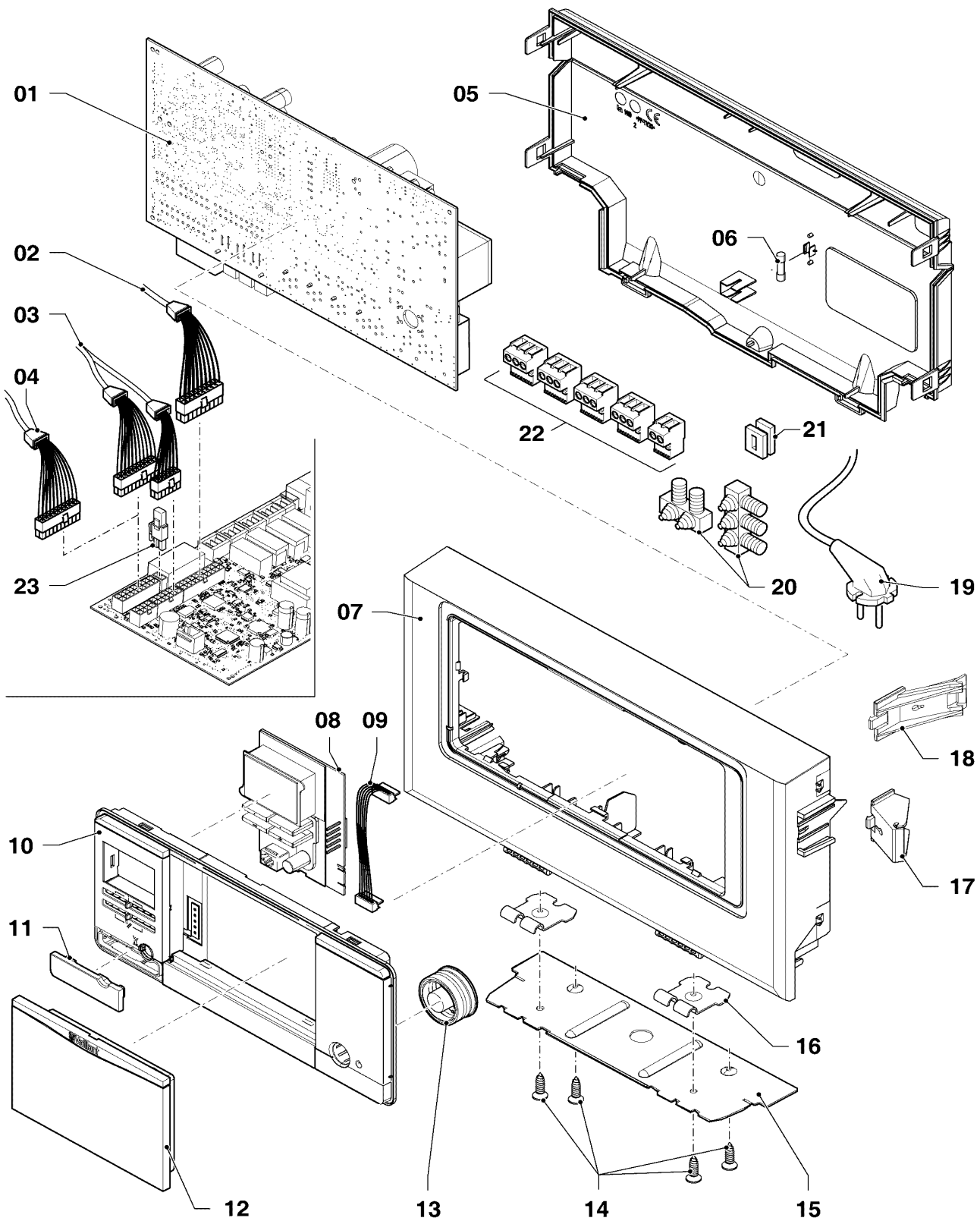
## 08c Connection parts (Acc.)

VU INT IV 166/5-5 R6, VU INT IV 246/5-5 R6, VU INT IV 306/5-5 R6, VU INT IV 386/5-5 R6

Pos.	Art.-No Teile-Nr.	Part Bezeichnung	Type, note Typ, Bemerkung
		0208125	
00	022751	Connection tube, G3/4 x 22 (PK2)	not shown, with part 03
01	083437	Compression fitting R3/4 x 15	not shown, for gas connection
02	-	-	not for these appliances
03	981140	Sealing ring, 3/4 (PK10)	
04	-	-	not for these appliances, see pos. 13
05	-	-	not for these appliances
06	-	-	not for these appliances
07	-	-	not for these appliances
08	-	-	not for these appliances
09	-	-	not for these appliances
10	-	-	not for these appliances
11	-	-	not for these appliances
12	-	-	not for these appliances
13	0020017772	Service cock left + right	with part 03
14	0020244425	Tube, pressure relief valve (plastic)	with part 15
15	0020010298	Sealing ring (PK10)	
16	-	-	cannot be delivered as spare part
17	-	-	not for these appliances

## 12 Control box

VU INT IV 166/5-5 R6, VU INT IV 246/5-5 R6, VU INT IV 306/5-5 R6, VU INT IV 386/5-5 R6



02-12-061.01



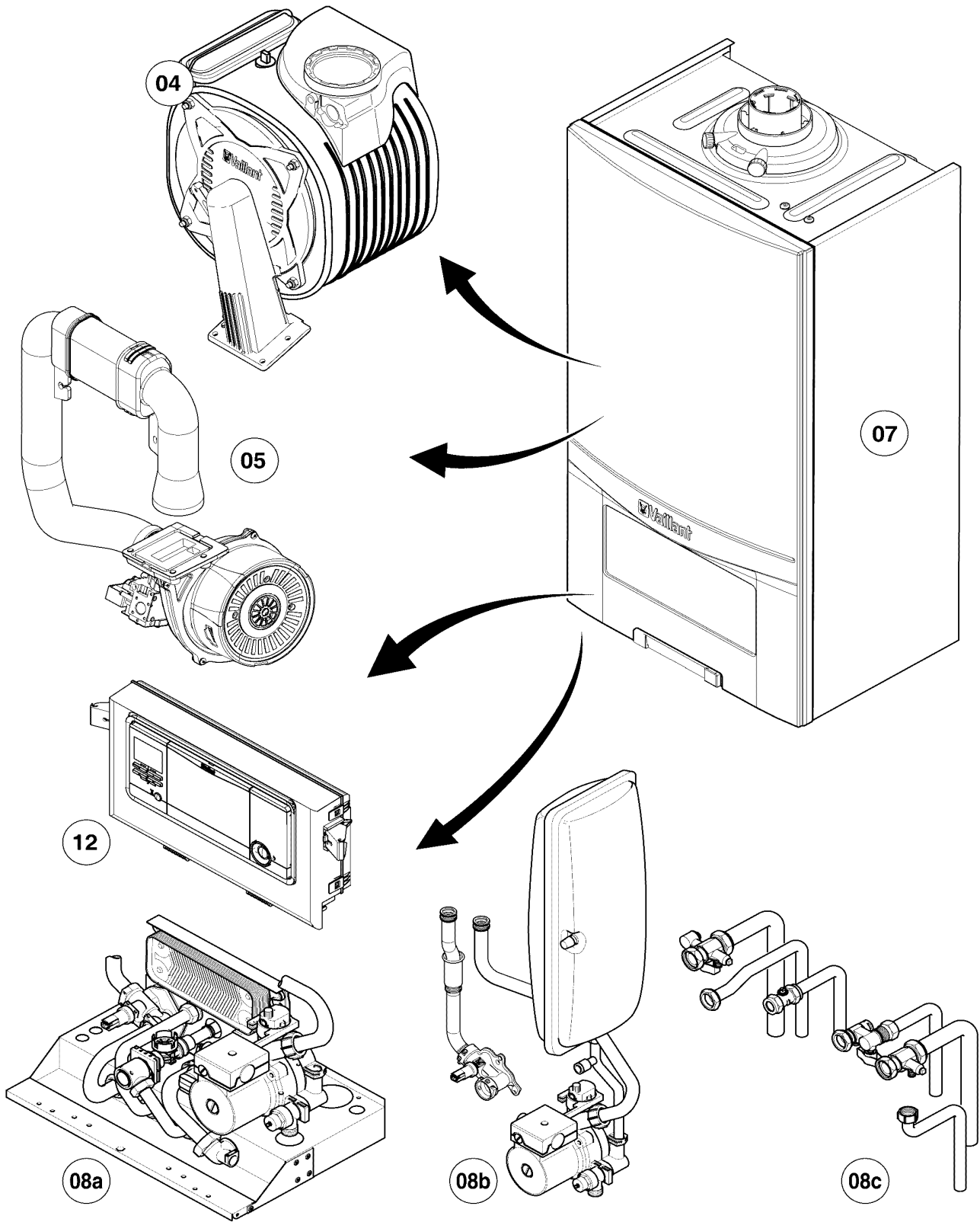
## 12 Control box

VU INT IV 166/5-5 R6, VU INT IV 246/5-5 R6, VU INT IV 306/5-5 R6, VU INT IV 386/5-5 R6

Pos.	Art.-No Teile-Nr.	Part Bezeichnung	Type, note Typ, Bemerkung
		0212061	
01	0020254533	Printed circuit board	with part 22
02	0020135157	Wiring harness	VU INT IV 166/5-5 R6
02	0020135157	Wiring harness	VU INT IV 246/5-5 R6
02	0020135157	Wiring harness	VU INT IV 306/5-5 R6
02	0020135158	Wiring harness	VU INT IV 386/5-5 R6
03	0020210200	Wiring harness, with coding resistor	VU INT IV 166/5-5 R6
03	0020210200	Wiring harness, with coding resistor	VU INT IV 246/5-5 R6
03	0020210202	Wiring harness, with coding resistor	VU INT IV 306/5-5 R6
03	0020210206	Wiring harness, with coding resistor	VU INT IV 386/5-5 R6
04	-	-	not for these appliances
05	0020136635	Casing back	with part 06
06	0020067507	Fuse, 2,0 A T2H (PK10)	
07	0020136631	Casing, front (plus)	with parts 10, 11, 12, 13
08	0020136628	Display	
09	0020136630	Cable, display	
10	-	-	not available as spare part, see pict. no.07
11	0020136640	Cover diagnostic connector	
12	0020136633	Cover control (plus)	
13	0020136642	Button power switch (plus)	
14	0020136643	Screw, (PK10)	
15	0020144612	Support (extension)	VU INT IV 386/5-5 R6, with part 14
16	0020144611	Support, control box (PK2)	with part 14
17	193583	Support, (PK2)	VU INT IV 166/5-5 R6
17	193583	Support, (PK2)	VU INT IV 246/5-5 R6
17	193583	Support, (PK2)	VU INT IV 306/5-5 R6
18	193585	Spacer, (PK2)	VU INT IV 386/5-5 R6
19	-	-	not for these appliances
20	078533	Cable fixation	
21	139438	Black plastic filler control box	
22	0020136646	Connector ProE (Set)	
22	733746	Electric plug, Rast 5 3-pole turquoise	turquoise (blue), from installation kit 0020136392
23	0020135126	Throttle jet + gas coding plug (yellow)	for natural gas H
23	0020135128	Throttle jet + gas coding plug (grey)	for liquid gas P

# General view of sheet - Baugruppenübersicht

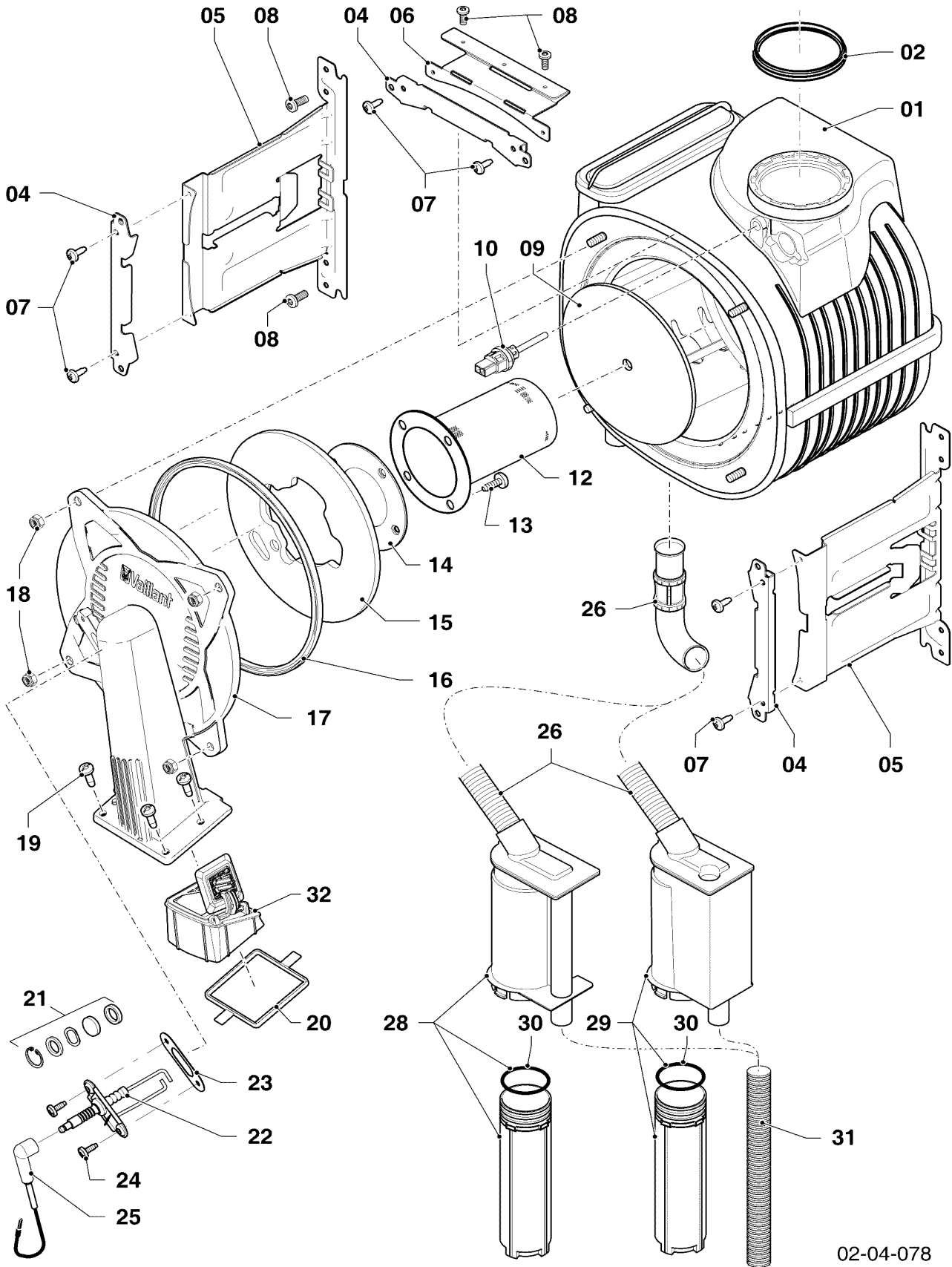
VUW INT IV 236/5-3 R6, VUW INT IV 286/5-3 R6



02-00-112

# 04 Burner, Heat exchanger

VUW INT IV 236/5-3 R6, VUW INT IV 286/5-3 R6



02-04-078

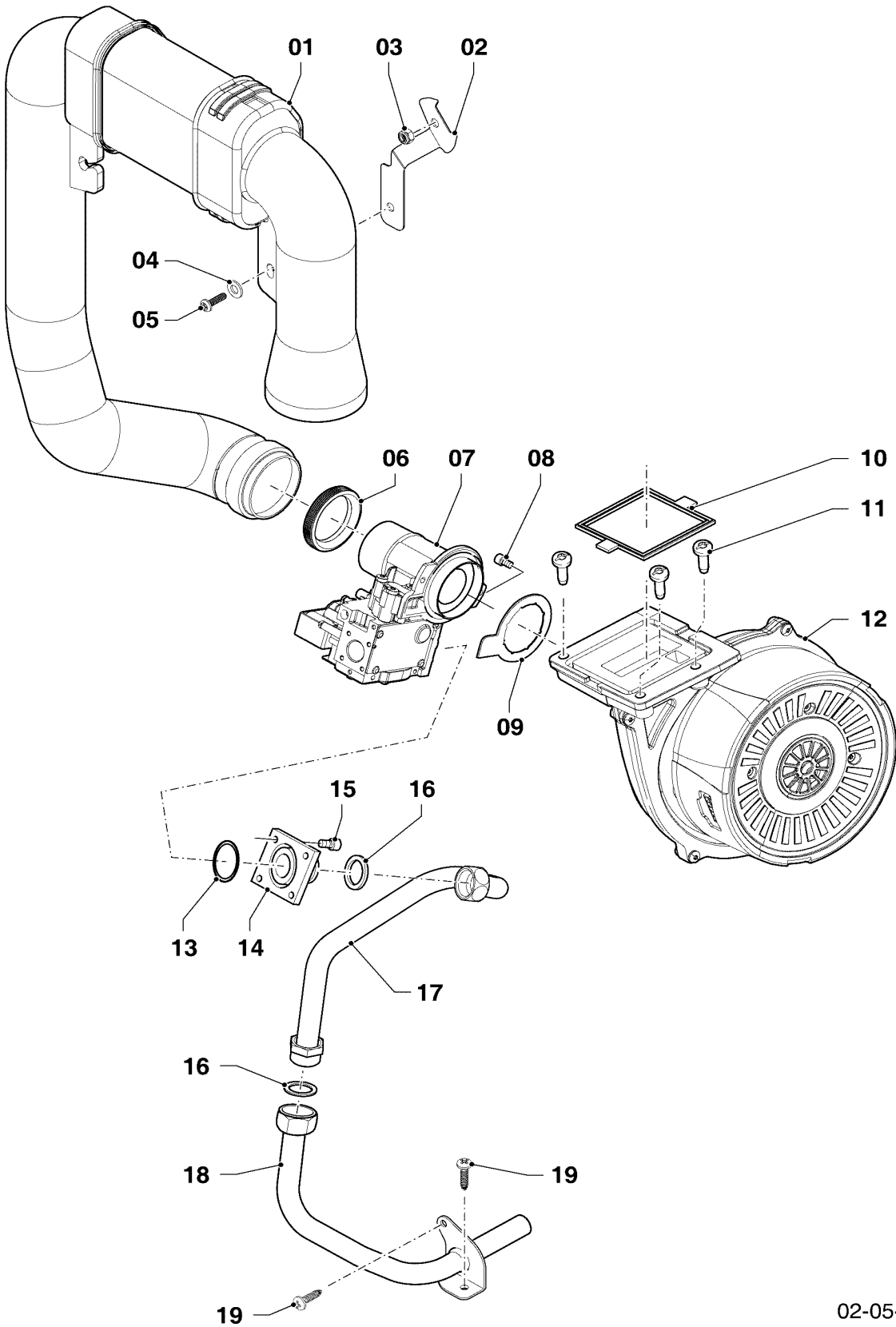
## 04 Burner, Heat exchanger

VUW INT IV 236/5-3 R6, VUW INT IV 286/5-3 R6

Pos.	Art.-No Teile-Nr.	Part Bezeichnung	Type, note Typ, Bemerkung
		0204078	
01	0020246710	Heat exchanger	with parts 09, 16, 18
02	981227	Sealing ring EPDM (DN 80)	
04	0020135117	Support, heat exchanger	with part 07
05	0020135112	Support PHE	with parts 07, 08
06	-	-	not for these appliances
07	0020133828	Screw, (PK10)	
08	0020136643	Screw, (PK10)	
09	0020252122	Insulation, 24 mm	
10	-	-	not for these appliances
12	0020223029	Burner	VUW INT IV 236/5-3 R6, with parts 13, 14
12	0020213911	Burner	VUW INT IV 286/5-3 R6, with parts 13, 14
13	105900	Screw, (PK10)	
14	981103	Gasket burner	
15	193595	Insulation	with parts 13, 14
16	0020025929	Gasket kit	with part 18
17	0020135118	Flange	with parts 13, 14, 16, 18, 19, 20, 21, 23, 24
18	0020026537	Nut, M6 (PK5)	
19	193597	Screw, (PK10)	
20	193594	Gasket	
21	161245	Inspection glass	
22	0020133816	Electrode	with parts 23, 24
23	981330	Gasket electrode	
24	0020198257	Screw, (PK10)	
25	0020135119	Cable	
25	0020075412	Plug (ignition)	
26	-	-	not available as spare part, see pos. 28
28	0020184119	Siphon/trap	with part 26
29	-	-	not for these appliances
30	0020077919	O-ring, (PK5)	
31	0020144602	Hose, condensate	
32	-	-	not for these appliances

## 05 Gas section

VUW INT IV 236/5-3 R6, VUW INT IV 286/5-3 R6



02-05-028

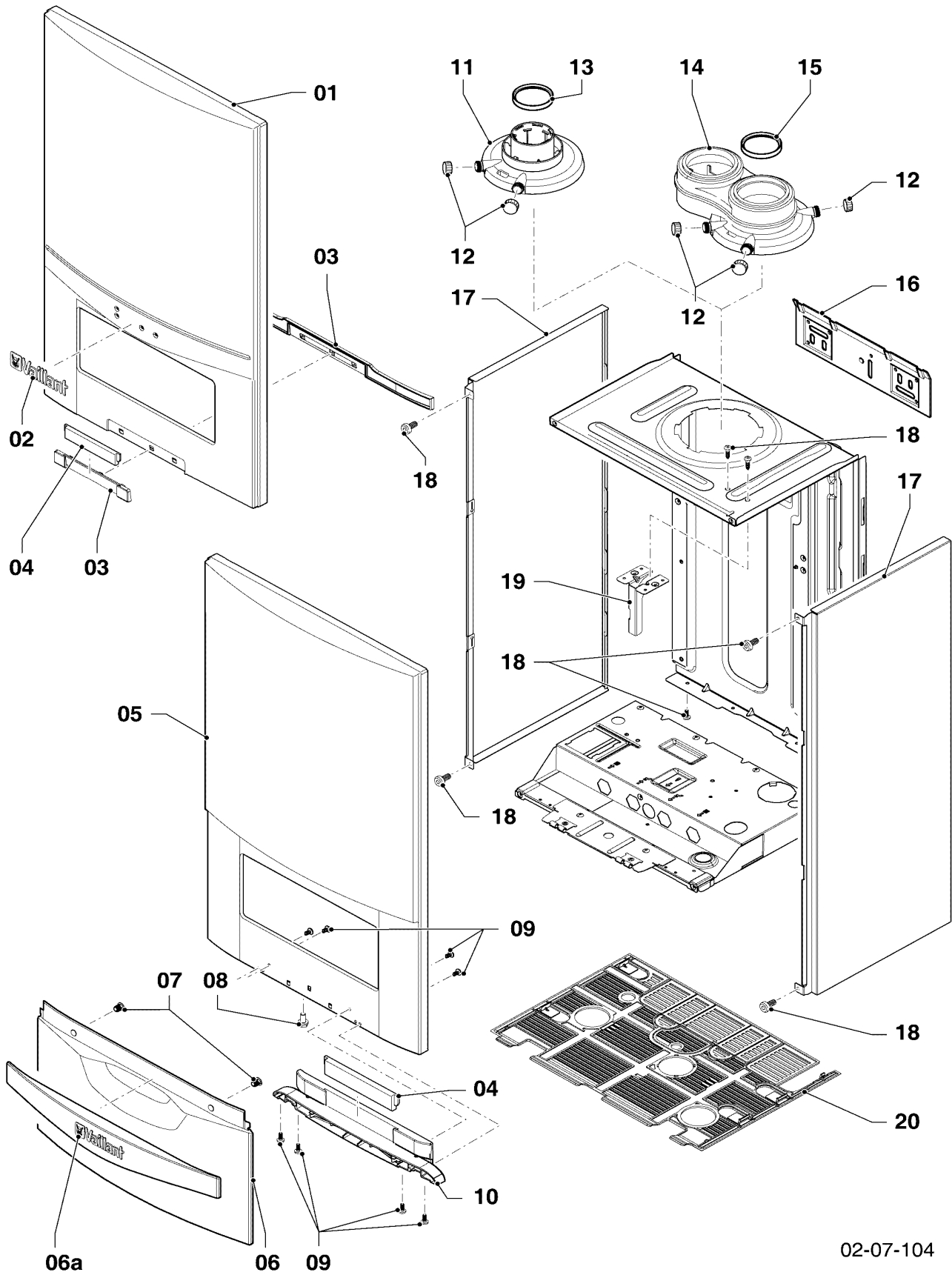
## 05 Gas section

VUW INT IV 236/5-3 R6, VUW INT IV 286/5-3 R6

Pos.	Art.-No Teile-Nr.	Part Bezeichnung	Type, note Typ, Bemerkung
		0205028	
00	0020176181	Conversion kit to H/GZ41(Lw)/G25.1(S)	to natural gas H, not shown
00	0020176180	Conversion kit to P	to liquid gas P, not shown
01	0020135146	Air inlet pipe	
02	0020135151	Support air inlet duct	with parts 03, 04, 05
03	0020026537	Nut, M6 (PK5)	
04	0020135152	Washer, (PK10)	
05	0020133833	Screw, (PK10)	
06	981111	Gasket	
07	0020240266	Gas control valve	VUW INT IV 236/5-3 R6, with parts 06, 08, 09, 10, 13, 14, 15, 16
07	0020240267	Gas control valve	VUW INT IV 286/5-3 R6, with parts 06, 08, 09, 10, 13, 14, 15, 16
08	509685	Screw, (PK10)	
09	0020135141	Gasket, fan	
10	193594	Gasket	
11	193597	Screw, (PK10)	
12	0020228304	Fan	with parts 08, 09, 10, 11
13	0020133834	O-ring (PK10)	
14	0020010868	Adaptor piece (gas valve)	with parts 13, 15, 16
15	105904	Screw (set)	
16	981142	Sealing ring, (PK10)	
17	0020141341	Gas pipe, top	with part 16
18	0020141343	Gas pipe, bottom	with parts 16, 19
19	0020136643	Screw, (PK10)	

# 07 Casing parts

VUW INT IV 236/5-3 R6, VUW INT IV 286/5-3 R6



02-07-104

## 07 Casing parts

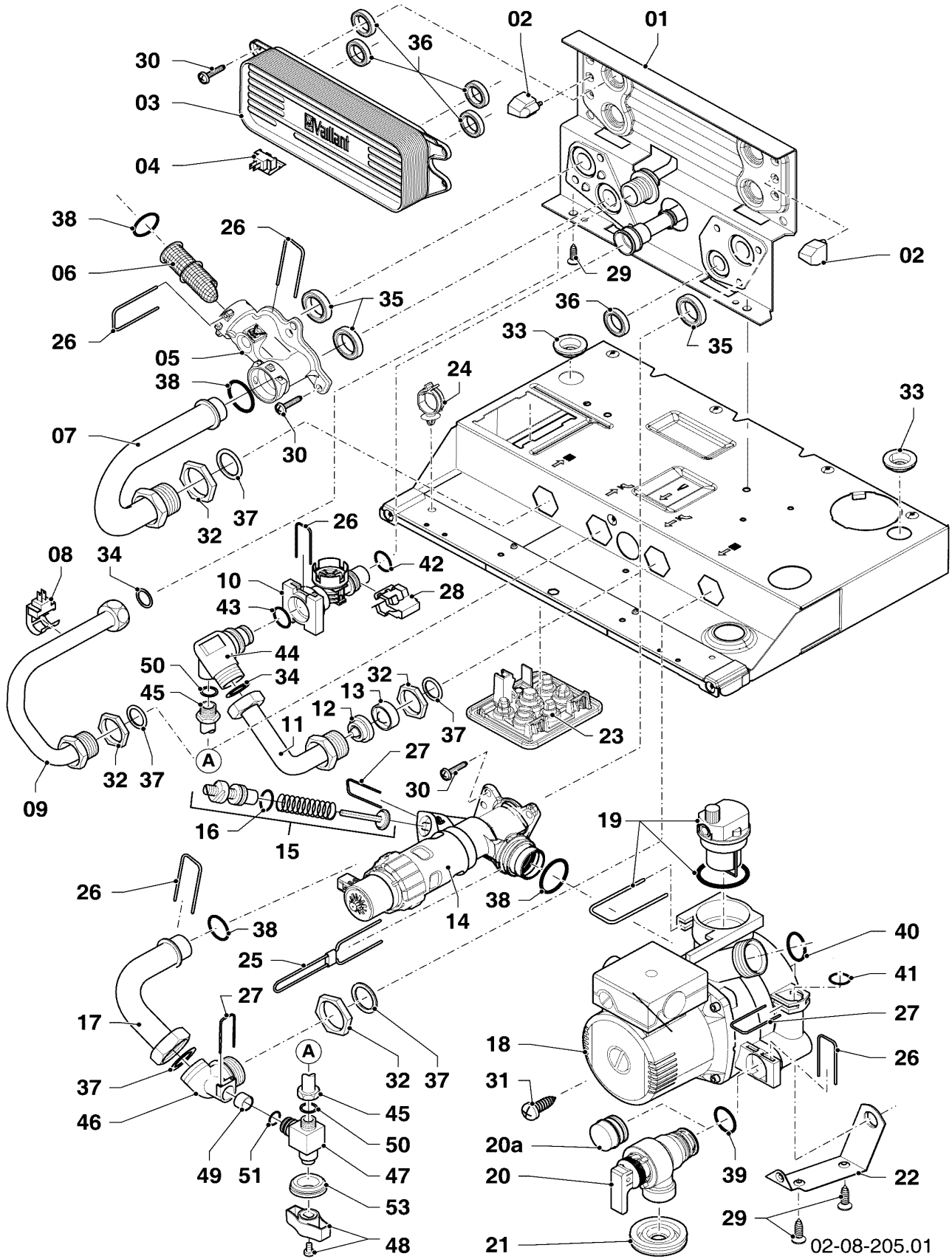
VUW INT IV 236/5-3 R6, VUW INT IV 286/5-3 R6

Pos.	Art.-No Teile-Nr.	Part Bezeichnung	Type, note Typ, Bemerkung
		0207104	
01	0020144589	Casing parts, front (pro)	with parts 02, 03
02	0020141347	Company plaque Vaillant	
03	0020141348	Support, name plaque	
04	0020141349	Plate, product name	
05	-	-	not for these appliances
06	-	-	not for these appliances
06a	-	-	not for these appliances
07	-	-	not for these appliances
08	105839	Screw, (PK10)	
09	-	-	not for these appliances
10	-	-	not for these appliances
11	0020144596	Adapter, 60/100	with parts 12, 13
12	147392	Cap, (PK5)	
13	981233	Lip seal EPDM (DN 60)	
14	-	-	not for these appliances
15	-	-	not for these appliances
16	180987	Support	
16	0020130588	Fastening kit (screws + plugs)	not shown
17	0020144593	Casing parts, side panel	with part 18
18	0020136643	Screw, (PK10)	
19	0020144598	Support (expansion vessel)	with part 18
20	-	-	not for these appliances



# 08a Hydraulic parts (Hydroblock)

VUW INT IV 236/5-3 R6, VUW INT IV 286/5-3 R6



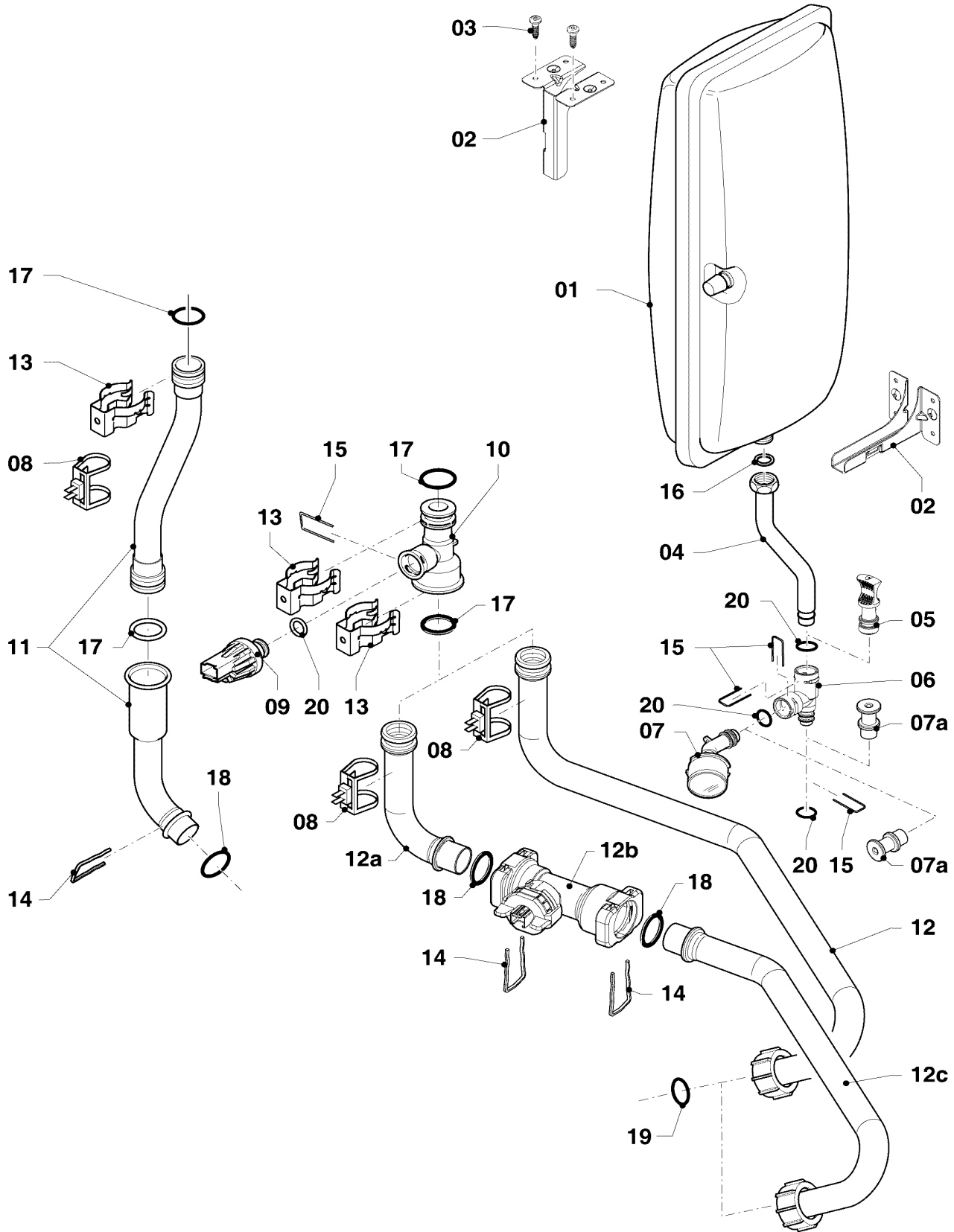
## 08a Hydraulic parts (Hydroblock)

VUW INT IV 236/5-3 R6, VUW INT IV 286/5-3 R6

Pos.	Art.-No Teile-Nr.	Part Bezeichnung	Type, note Typ, Bemerkung
		0208205	
01	178965	Support	with parts 02, 28, 29, 30, 34, 35, 36, 38, 42, 43
02	193536	Guide, (PK2)	
03	0020020018	Heat exchanger dhw, 11 (13) plates	with parts 30, 36
04	103430	Sensor NTC (DHW heat exchanger)	
05	0020140559	Connection, composite	with parts 06, 26, 27, 30, 35, 38, 41
06	179030	Filter	with parts 26, 38
07	179033	Pipe	with parts 32, 37, 38
08	-	-	not for these appliances
09	179034	Pipe	with parts 34, 37
10	178988	Flow sensor	with parts 26, 28, 42, 43
11	179037	Pipe	with parts 13, 37, 43
12	-	-	not for these appliances
13	074514	Filter	
14	0020132683	Diverter valve, brass	with parts 15, 26, 30, 35, 36, 37, 38
15	178980	Bypass	with parts 16, 27
16	981165	O-ring, (PK10)	
17	179036	Pipe	with parts 37, 38
18	0020213167	Pump	with parts 19, 20a, 22, 26, 27, 29, 31, 35-41
19	104521	Automatic de-aerator	
20	178985	Pressure relief valve, 3 bar	with parts 26, 39
20a	-	-	not for these appliances
21	0020039723	Gasket	
22	178984	Support	with parts 29, 31
23	0020144603	Cable bushing	
24	0020144599	Clip, (PK5)	
25	178981	Clip	
26	178992	Clip, (PK10)	
27	0020107694	Clip, (PK5)	
28	178966	Clip	
29	0020107695	Screw, (PK10)	
30	0020133828	Screw, (PK10)	
31	0020133833	Screw, (PK10)	
32	0020144600	Nut, 3/4 (PK4)	
33	509120	Gasket, (PK10)	
34	981142	Sealing ring, (PK10)	
35	193535	Gasket, C-type (PK10)	
36	178969	Gasket, C-type (PK10)	
37	981140	Sealing ring, 3/4 (PK10)	
38	193537	O-ring, (PK10)	
39	178986	O-ring, (PK10)	
40	193539	O-ring, (PK10)	
41	178993	O-ring, (PK10)	
42	178991	O-ring, (PK10)	
43	981163	O-ring, (PK10)	
44	0020018067	Connection piece	with parts 26, 34, 43, 50
45	0020018066	Tube	with part 50
46	0020018068	Connection piece	with parts 32, 37, 51, 52
47	0020018065	Drain cock	with parts 48, 50, 51
48	0020010292	Handle, (PK2)	
49	0020018064	Ball valve	
50	981146	Sealing ring, (PK10)	
51	981154	O-ring, (PK10)	
53	0020229663	Gasket	

# 08b Hydraulic parts

VUW INT IV 236/5-3 R6, VUW INT IV 286/5-3 R6



02-08-201.03

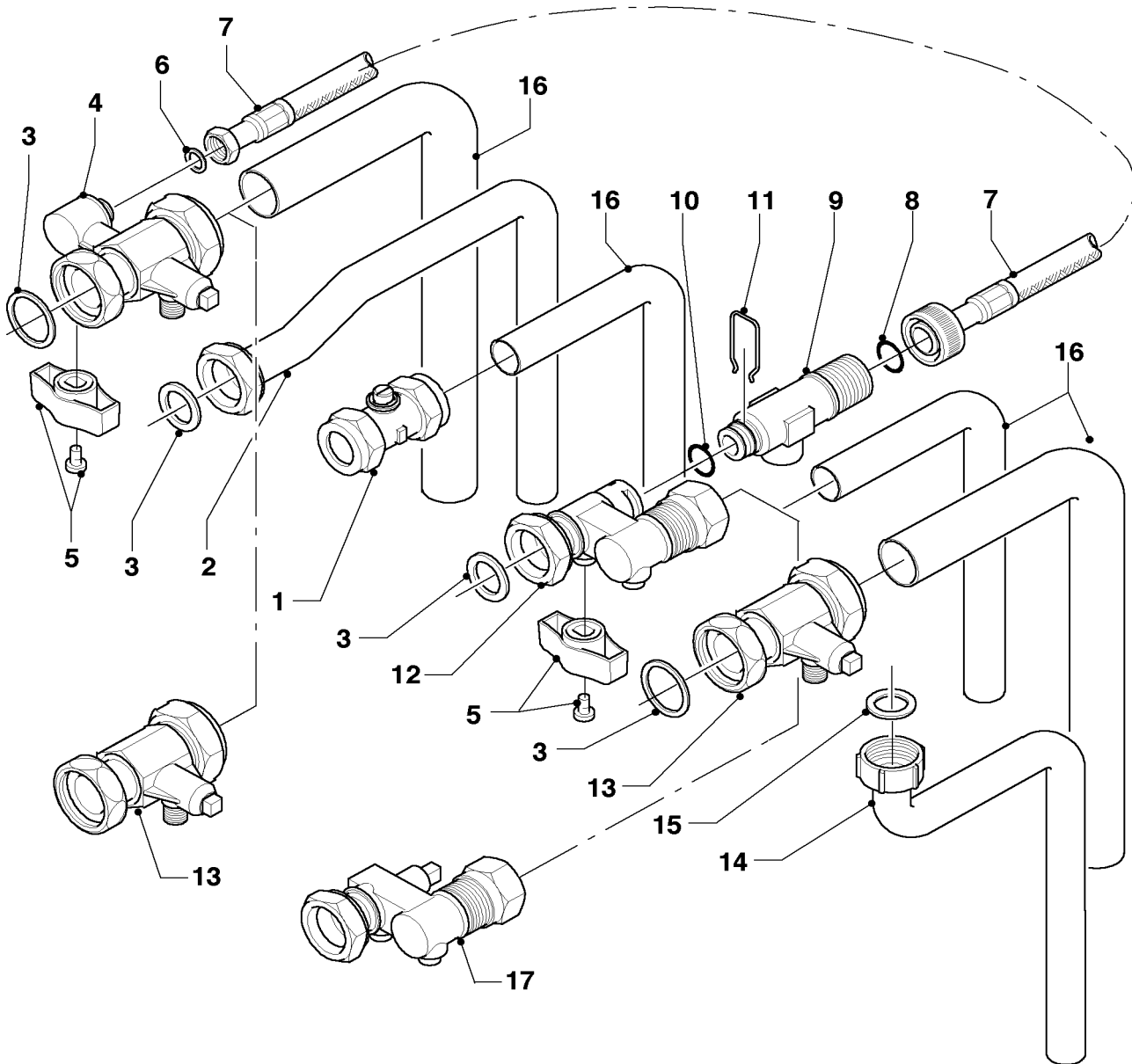
## 08b Hydraulic parts

VUW INT IV 236/5-3 R6, VUW INT IV 286/5-3 R6

Pos.	Art.-No Teile-Nr.	Part Bezeichnung	Type, note Typ, Bemerkung
		0208201	
01	181051	Expansion vessel 10 ltr.	
02	0020144598	Support (expansion vessel)	with part 03
03	0020136643	Screw, (PK10)	
04	0020144605	Tube, expansion vessel	with parts 15, 16, 20
05	-	-	not for these appliances
06	0020144608	Adapter	with parts 15, 20
07	0020144606	Pressure gauge	with parts 15, 20
07a	-	-	not for these appliances
08	193592	Sensor NTC (CH flow/CH return)	
09	0020059717	Sensor (water pressure)	with parts 15, 20
10	0020087657	Adapter	with parts 15, 17, 20
11	0020068956	Connection tube (kit)	with parts 17, 18
12	0020068958	Connection tube	with parts 10, 13, 15, 17, 19, 20
12a	-	-	not for these appliances
12b	-	-	not for these appliances
12c	-	-	not for these appliances
13	103417	Clip, (PK10)	
14	178992	Clip, (PK10)	
15	0020107694	Clip, (PK5)	
16	981149	Sealing ring, (PK10)	
17	103415	O-ring, (PK10)	
18	193537	O-ring, (PK10)	
19	193539	O-ring, (PK10)	
20	178993	O-ring, (PK10)	

# 08c Connection parts (Acc.)

VUW INT IV 236/5-3 R6, VUW INT IV 286/5-3 R6



02 - 08 - 125.01

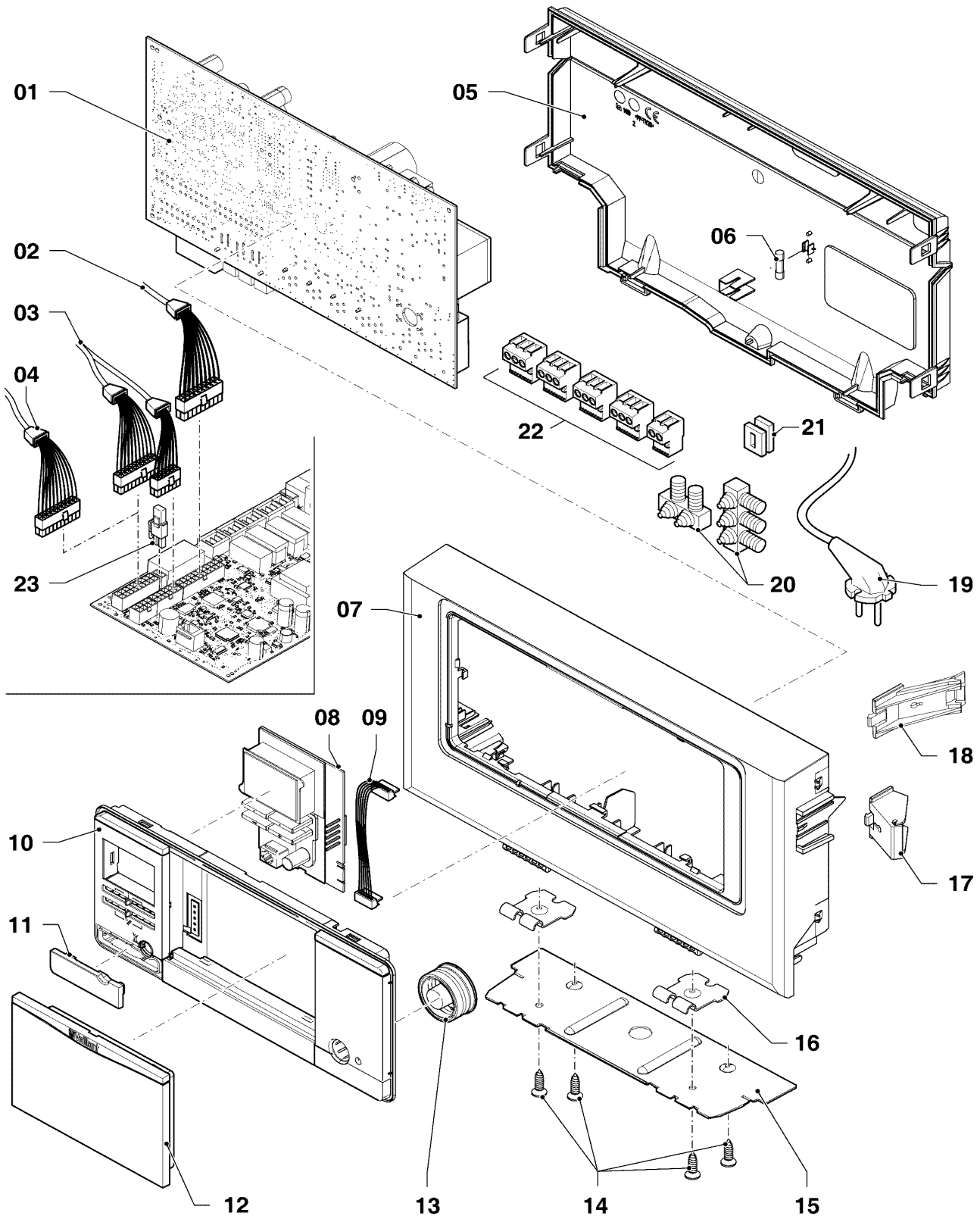
## 08c Connection parts (Acc.)

VUW INT IV 236/5-3 R6, VUW INT IV 286/5-3 R6

Pos.	Art.-No Teile-Nr.	Part Bezeichnung	Type, note Typ, Bemerkung
		0208125	
00	022751	Connection tube, G3/4 x 22 (PK2)	not shown, with part 03
01	083437	Compression fitting R3/4 x 15	not shown, for gas connection
02	081445	Connection tube	with part 03
03	981140	Sealing ring, 3/4 (PK10)	
04	-	-	not for these appliances
05	-	-	not for these appliances
06	-	-	not for these appliances
07	-	-	not for these appliances
08	-	-	not for these appliances
09	-	-	not for these appliances
10	-	-	not for these appliances
11	-	-	not for these appliances
12	-	-	not for these appliances
13	0020017772	Service cock left + right	with part 03
14	0020244425	Tube, pressure relief valve (plastic)	with part 15
15	0020010298	Sealing ring (PK10)	
16	-	-	cannot be delivered as spare part
17	014714	Valve	

## 12 Control box

VUW INT IV 236/5-3 R6, VUW INT IV 286/5-3 R6



02-12-061.01

## 12 Control box

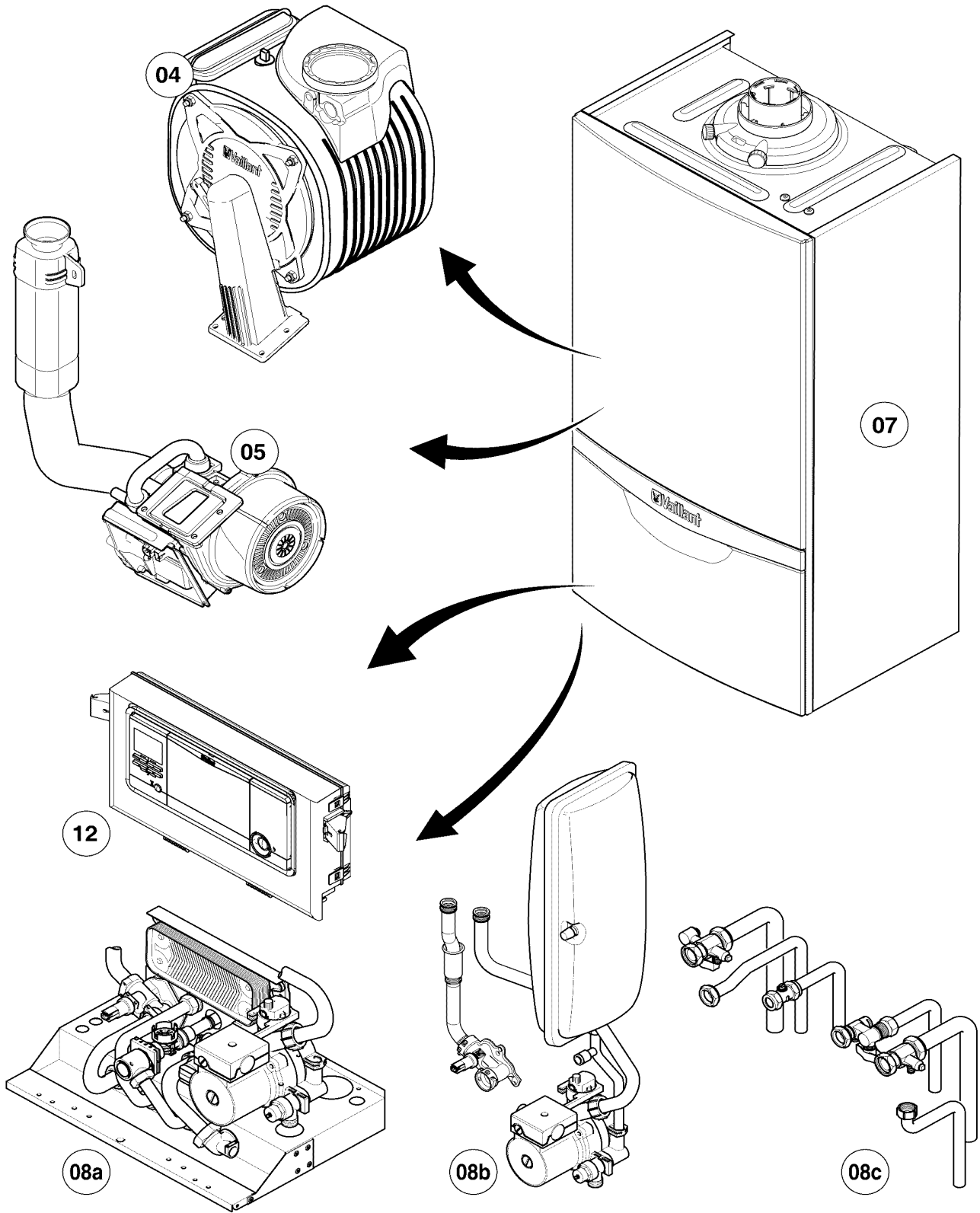
VUW INT IV 236/5-3 R6, VUW INT IV 286/5-3 R6

Pos.	Art.-No Teile-Nr.	Part Bezeichnung	Type, note Typ, Bemerkung
		0212061	
01	0020254533	Printed circuit board	with part 22
02	0020135161	Wiring harness	
03	-	-	not for these appliances
04	0020210208	Wiring harness, with coding resistor	VUW INT IV 236/5-3 R6
04	0020221619	Wiring harness, pro	VUW INT IV 286/5-3 R6
05	0020136635	Casing back	with part 06
06	0020067507	Fuse, 2,0 A T2H (PK10)	
07	0020136632	Casing front (pro)	with parts 10, 11, 12, 13
08	0020136629	Display	
09	0020136630	Cable, display	
10	-	-	not available as spare part, see pos. 07
11	0020136640	Cover diagnostic connector	
12	0020136634	Cover control (pro)	
13	0020136641	Button power switch (pro)	
14	0020136643	Screw, (PK10)	
15	-	-	not for these appliances
16	0020144611	Support, control box (PK2)	with part 14
17	193583	Support, (PK2)	
18	-	-	not for these appliances
19	-	-	not for these appliances
20	078533	Cable fixation	
21	139438	Black plastic filler control box	
22	0020136646	Connector ProE (Set)	
22	733746	Electric plug, Rast 5 3-pole turquoise	turquoise (blue), from installation kit 0020136392
23	-	-	not for these appliances



# General view of sheet - Baugruppenübersicht

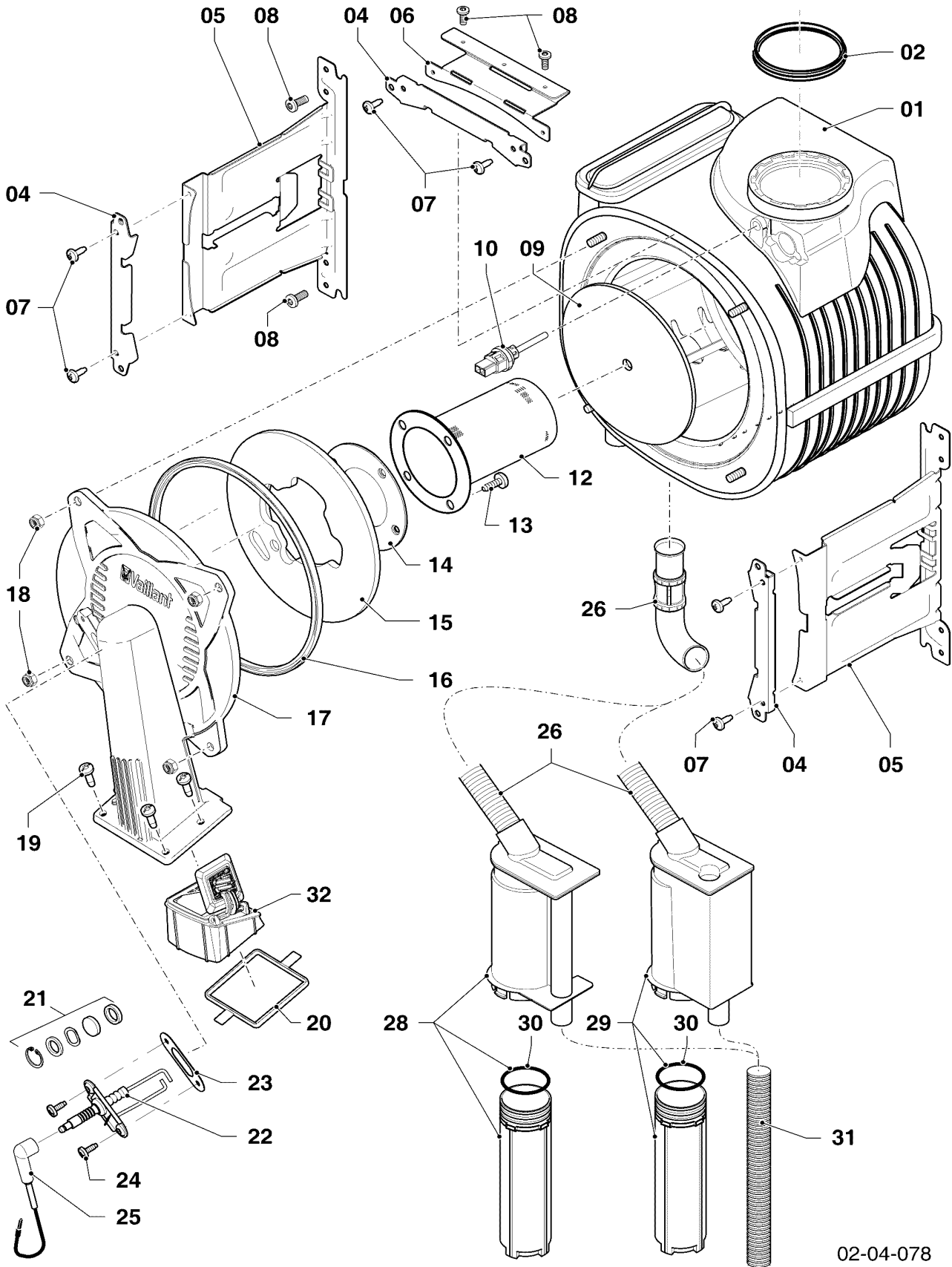
VUW INT IV 246/5-5 R6, VUW INT IV 306/5-5 R6, VUW INT IV 346/5-5 R6



02-00-111

# 04 Burner, Heat exchanger

VUW INT IV 246/5-5 R6, VUW INT IV 306/5-5 R6, VUW INT IV 346/5-5 R6



02-04-078

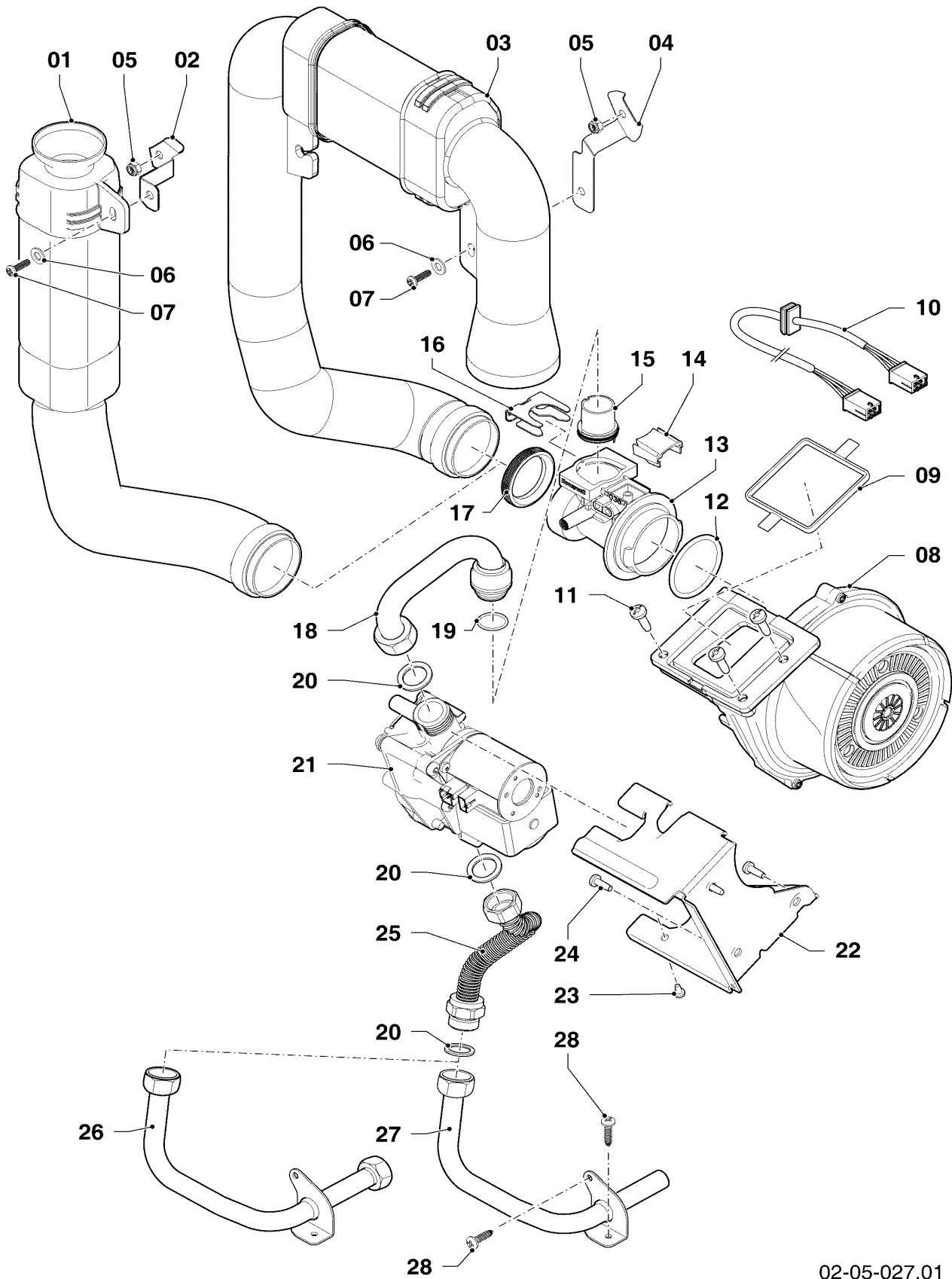
## 04 Burner, Heat exchanger

VUW INT IV 246/5-5 R6, VUW INT IV 306/5-5 R6, VUW INT IV 346/5-5 R6

Pos.	Art.-No Teile-Nr.	Part Bezeichnung	Type, note Typ, Bemerkung
		0204078	
01	0020246710	Heat exchanger	VUW INT IV 246/5-5 R6, with parts 09, 16, 18
01	0020246711	Heat exchanger	VUW INT IV 306/5-5 R6, with parts 09, 16, 18
01	0020252802	Heat exchanger	VUW INT IV 346/5-5 R6, with parts 09, 16, 18
02	981227	Sealing ring EPDM (DN 80)	
04	0020135117	Support, heat exchanger	with part 07
05	0020135112	Support PHE	VUW INT IV 246/5-5 R6, with parts 07, 08
05	0020135113	Support PHE	VUW INT IV 306/5-5 R6, with parts 07, 08
05	0020135114	Support PHE	VUW INT IV 346/5-5 R6, with parts 07, 08
06	-	-	not for these appliances
07	0020133828	Screw, (PK10)	
08	0020136643	Screw, (PK10)	
09	0020252122	Insulation, 24 mm	
10	-	-	not for these appliances
12	0020223029	Burner	VUW INT IV 246/5-5 R6, with parts 13, 14
12	0020223030	Burner	VUW INT IV 306/5-5 R6, with parts 13, 14
12	050430	Burner	VUW INT IV 346/5-5 R6, with parts 13, 14
13	105900	Screw, (PK10)	
14	981103	Gasket burner	
15	193595	Insulation	with parts 13, 14
16	0020025929	Gasket kit	with part 18
17	0020135118	Flange	with parts 13, 14, 16, 18, 19, 20, 21, 23, 24
18	0020026537	Nut, M6 (PK5)	
19	193597	Screw, (PK10)	
20	193594	Gasket	
21	161245	Inspection glass	
22	0020133816	Electrode	with parts 23, 24
23	981330	Gasket electrode	
24	0020198257	Screw, (PK10)	
25	0020135119	Cable	
25	0020075412	Plug (ignition)	
26	-	-	not available as spare part, see pict. no.28
28	0020184119	Siphon/trap	with part 26
29	-	-	not for these appliances
30	0020077919	O-ring, (PK5)	
31	0020144602	Hose, condensate	
32	-	-	not for these appliances

## 05 Gas section

VUW INT IV 246/5-5 R6, VUW INT IV 306/5-5 R6, VUW INT IV 346/5-5 R6



02-05-027.01

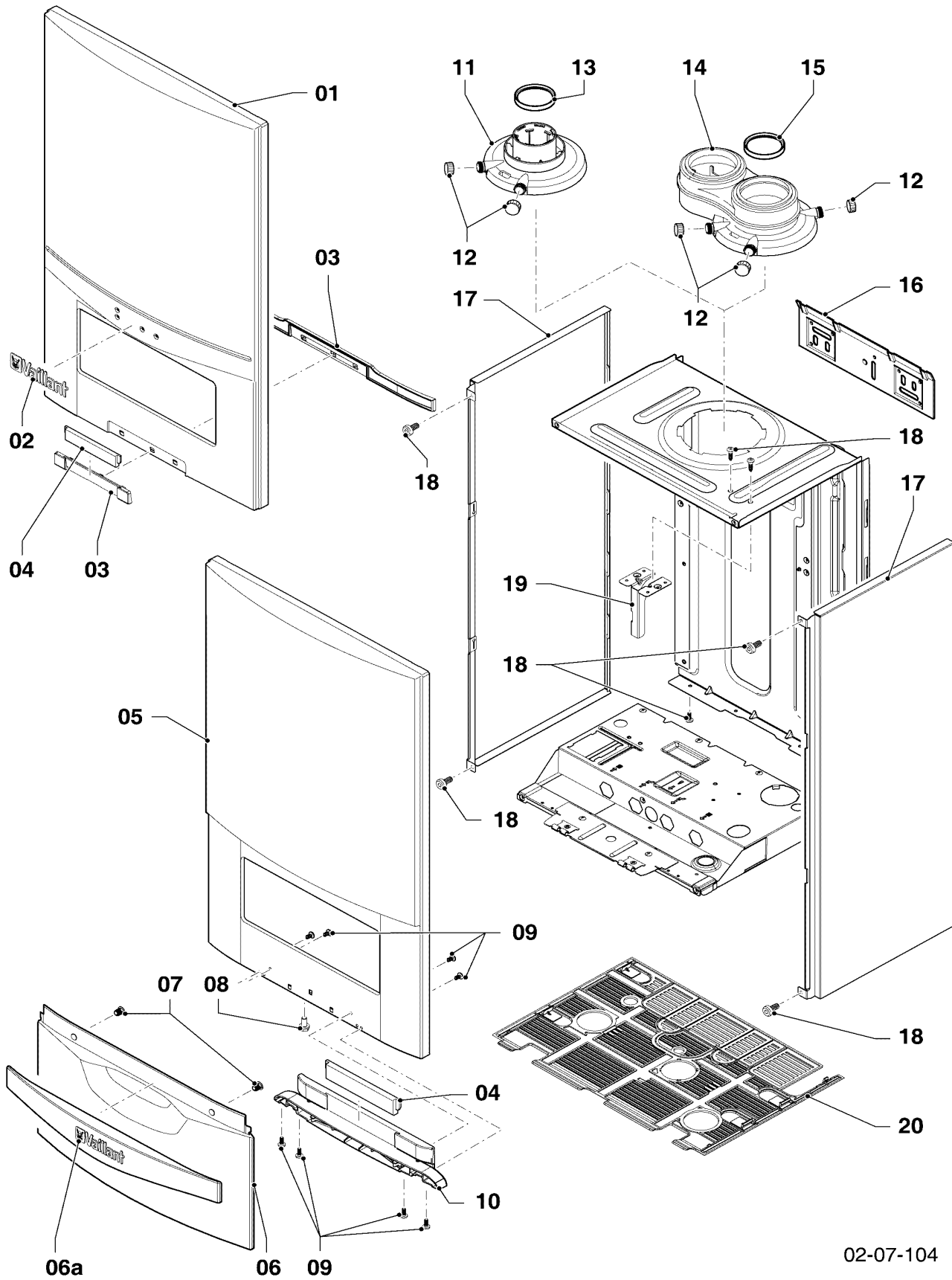
## 05 Gas section

VUW INT IV 246/5-5 R6, VUW INT IV 306/5-5 R6, VUW INT IV 346/5-5 R6

Pos.	Art.-No Teile-Nr.	Part Bezeichnung	Type, note Typ, Bemerkung
		0205027	
00	0020175903	Conversion kit to H	VUW INT IV 246/5-5 R6, to natural gas H, not shown
00	0020175904	Conversion kit to H	VUW INT IV 306/5-5 R6, to natural gas H, not shown
00	0020175904	Conversion kit to H	VUW INT IV 346/5-5 R6, to natural gas H, not shown
00	0020175905	Conversion kit to P	VUW INT IV 246/5-5 R6, to liquid gas P, not shown
00	0020175906	Conversion kit to P	VUW INT IV 306/5-5 R6, to liquid gas P, not shown
00	0020175906	Conversion kit to P	VUW INT IV 346/5-5 R6, to liquid gas P, not shown
01	0020135147	Air inlet pipe	
02	0020135150	Support air inlet duct	with parts 05, 06, 07
03	0020135148	Air inlet pipe	VUW INT IV 306/5-5 R6
03	0020135148	Air inlet pipe	VUW INT IV 346/5-5 R6
04	0020135151	Support air inlet duct	VUW INT IV 306/5-5 R6, with parts 05, 06, 07
04	0020135151	Support air inlet duct	VUW INT IV 346/5-5 R6, with parts 05, 06, 07
05	0020026537	Nut, M6 (PK5)	
06	0020135152	Washer, (PK10)	
07	0020133833	Screw, (PK10)	
08	0020135138	Fan	with parts 09, 11, 12, 20, 23, 24
09	193594	Gasket	
10	-	-	not for these appliances
11	193597	Screw, (PK10)	
12	0020135120	O-ring venturi (PK5)	
13	0020135122	Venturi	VUW INT IV 246/5-5 R6, Attention: You have to reuse the throttle jet (part 15)! with parts 12, 14, 19, 20
13	0020135123	Venturi	VUW INT IV 306/5-5 R6, Attention: You have to reuse the throttle jet (part 15)! with parts 12, 14, 19, 20
13	0020135124	Venturi	VUW INT IV 346/5-5 R6, Attention: You have to reuse the throttle jet (part 15)! with parts 12, 14, 19, 20
14	0020136647	Cap (over venturi filter)	
15	0020135126	Throttle jet + gas coding plug (yellow)	for natural gas H, with parts 12, 19, 20
15	0020135128	Throttle jet + gas coding plug (grey)	for liquid gas P, with parts 12, 19, 20
16	0020136636	Clip (PK10)	
17	0020135149	Gasket air inlet duct	
18	0020135136	Gas pipe	with parts 12,19,20
19	0020135135	O-ring (PK10)	
20	981142	Sealing ring, (PK10)	
21	0020146733	Gas section with regulator	VUW INT IV 246/5-5 R6, for natural gas and liquid gas, with parts 09, 20, 23
21	0020135144	Gas section	VUW INT IV 306/5-5 R6, for natural gas, with parts 09, 20, 23
21	0020146733	Gas section with regulator	VUW INT IV 306/5-5 R6, for liquid gas, with parts 09, 20, 23
21	0020135144	Gas section	VUW INT IV 346/5-5 R6, for natural gas, with parts 09, 20, 23
21	0020146733	Gas section with regulator	VUW INT IV 346/5-5 R6, for liquid gas, with parts 09, 20, 23
22	0020135145	Support gas section	with parts 09, 11, 20, 23, 24
23	108628	Screw, (PK10)	
24	509685	Screw, (PK10)	
25	0020141340	Gas pipe, top	with part 20
26	-	-	not for these appliances
27	0020141343	Gas pipe, bottom	with parts 20, 28
28	0020136643	Screw, (PK10)	

## 07 Casing parts

VUW INT IV 246/5-5 R6, VUW INT IV 306/5-5 R6, VUW INT IV 346/5-5 R6



02-07-104

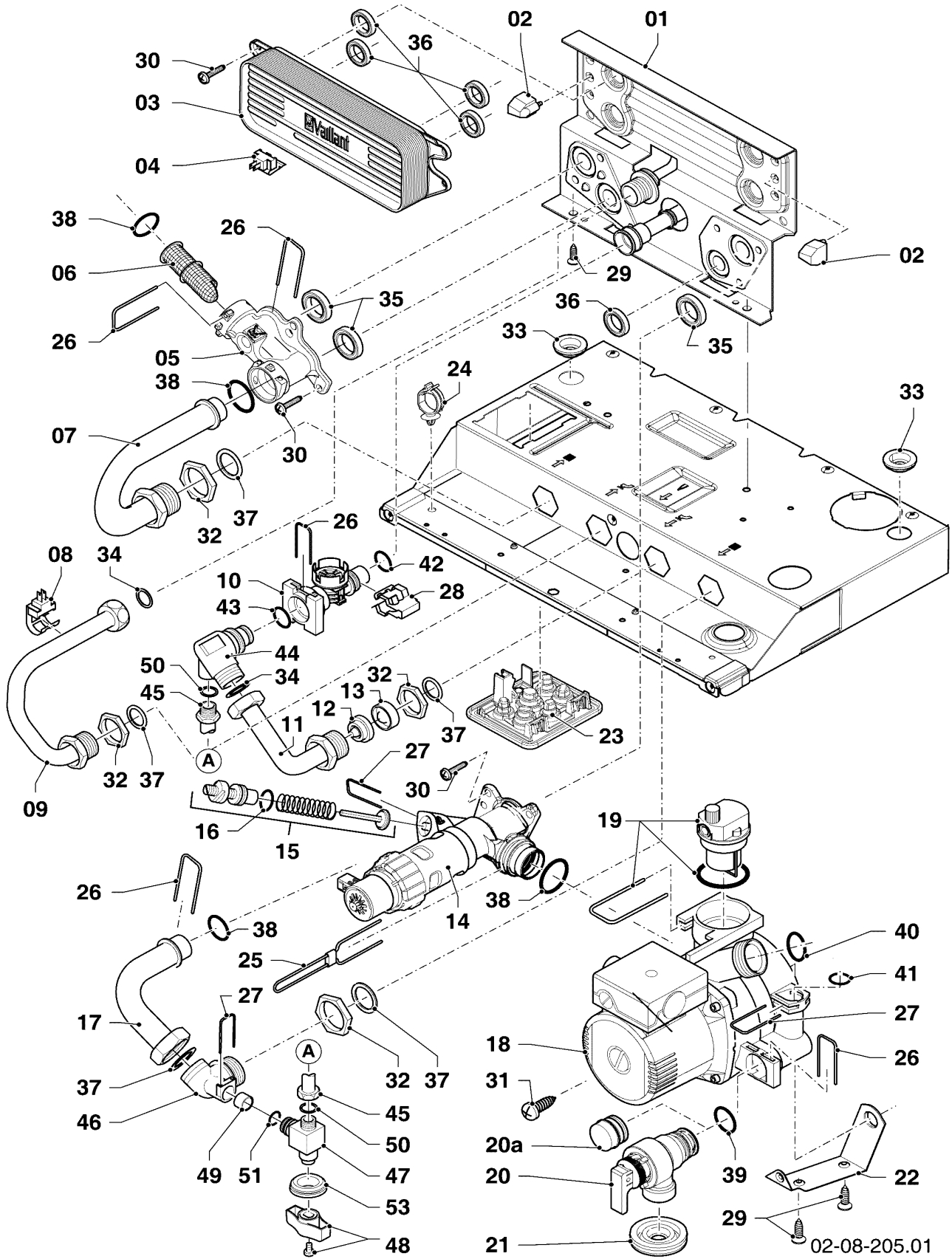
## 07 Casing parts

VUW INT IV 246/5-5 R6, VUW INT IV 306/5-5 R6, VUW INT IV 346/5-5 R6

Pos.	Art.-No Teile-Nr.	Part Bezeichnung	Type, note Typ, Bemerkung
		0207104	
01	-	-	not for these appliances
02	-	-	not for these appliances
03	-	-	not for these appliances
04	0020141349	Plate, product name	
05	0020144590	Casing parts, front (plus)	VUW INT IV 246/5-5 R6, with parts 06, 06a, 07, 08, 09, 10
05	0020144590	Casing parts, front (plus)	VUW INT IV 306/5-5 R6, with parts 06, 06a, 07, 08, 09, 10
05	0020144591	Casing parts, front (plus)	VUW INT IV 346/5-5 R6, with parts 06, 06a, 07, 08, 09, 10
06	0020144594	Cover	with parts 06a, 07, 09, 10
06a	0020144609	Handle	with part 07
07	0020068136	Magnet, (PK2)	
08	105839	Screw, (PK10)	
09	193538	Screw, (PK10)	
10	0020144595	Hinge	with part 09
11	0020144596	Adapter, 60/100	with parts 12, 13
12	147392	Cap, (PK5)	
13	981233	Lip seal EPDM (DN 60)	
14	-	-	not for these appliances
15	-	-	not for these appliances
16	180987	Support	
16	0020130588	Fastening kit (screws + plugs)	not shown
17	0020144593	Casing parts, side panel	with part 18
18	0020136643	Screw, (PK10)	
19	0020144598	Support (expansion vessel)	with part 18
20	-	-	not for these appliances

# 08a Hydraulic parts (Hydroblock)

VUW INT IV 246/5-5 R6, VUW INT IV 306/5-5 R6, VUW INT IV 346/5-5 R6





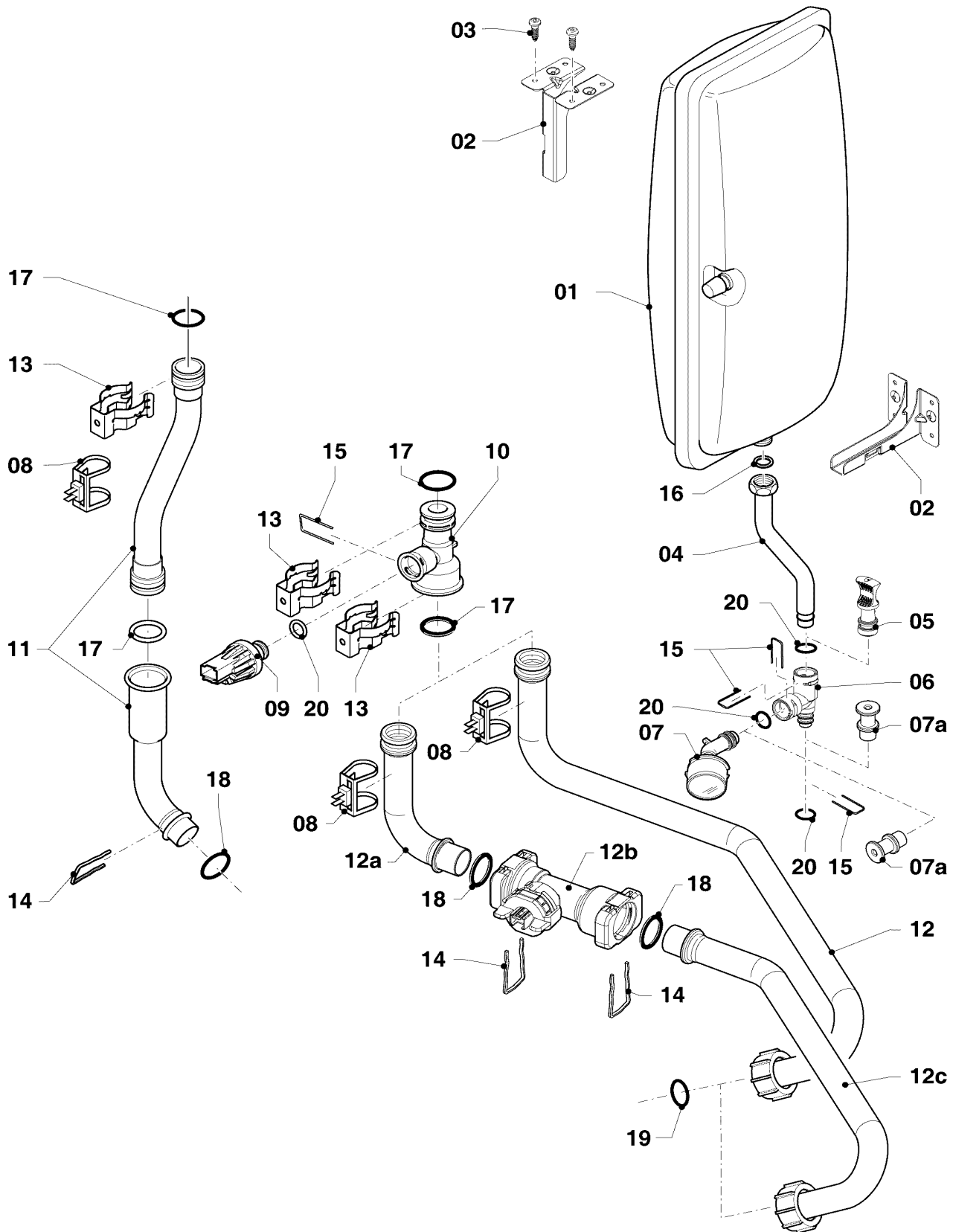
## 08a Hydraulic parts (Hydroblock)

VUW INT IV 246/5-5 R6, VUW INT IV 306/5-5 R6, VUW INT IV 346/5-5 R6

Pos.	Art.-No Teile-Nr.	Part Bezeichnung	Type, note Typ, Bemerkung
		0208205	
01	178965	Support	with parts 02, 28, 29, 30, 34, 35, 36, 38, 42, 43
02	193536	Guide, (PK2)	
03	0020038572	Heat exchanger dhw (19 plates)	with parts 30, 36
04	103430	Sensor NTC (DHW heat exchanger)	
05	0020140559	Connection, composite	with parts 06, 26, 27, 30, 35, 38, 41
06	179030	Filter	with parts 26, 38
07	179033	Pipe	with parts 32, 37, 38
08	103429	Sensor NTC (DHW outlet pipe)	
09	179034	Pipe	with parts 34, 37
10	178988	Flow sensor	with parts 26, 28, 42, 43
11	179037	Pipe	with parts 13, 37, 43
12	-	-	not for these appliances
13	074514	Filter	
14	0020132683	Diverter valve, brass	with parts 15, 26, 30, 35, 36, 37, 38
15	178980	Bypass	with parts 16, 27
16	981165	O-ring, (PK10)	
17	179036	Pipe	with parts 37, 38
18	0020213167	Pump	with parts 19, 20a, 22, 26, 27, 29, 31, 35-41
19	104521	Automatic de-aerator	
20	178985	Pressure relief valve, 3 bar	with parts 26, 39
20a	-	-	not for these appliances
21	0020039723	Gasket	
22	178984	Support	with parts 29, 31
23	0020144603	Cable bushing	
24	0020144599	Clip, (PK5)	
25	178981	Clip	
26	178992	Clip, (PK10)	
27	0020107694	Clip, (PK5)	
28	178966	Clip	
29	0020107695	Screw, (PK10)	
30	0020133828	Screw, (PK10)	
31	0020133833	Screw, (PK10)	
32	0020144600	Nut, 3/4 (PK4)	
33	509120	Gasket, (PK10)	
34	981142	Sealing ring, (PK10)	
35	193535	Gasket, C-type (PK10)	
36	178969	Gasket, C-type (PK10)	
37	981140	Sealing ring, 3/4 (PK10)	
38	193537	O-ring, (PK10)	
39	178986	O-ring, (PK10)	
40	193539	O-ring, (PK10)	
41	178993	O-ring, (PK10)	
42	178991	O-ring, (PK10)	
43	981163	O-ring, (PK10)	
44	0020018067	Connection piece	with parts 26, 34, 43, 50
45	0020018066	Tube	with part 50
46	0020018068	Connection piece	with parts 32, 37, 51, 52
47	0020018065	Drain cock	with parts 48, 50, 51
48	0020010292	Handle, (PK2)	
49	0020018064	Ball valve	
50	981146	Sealing ring, (PK10)	
51	981154	O-ring, (PK10)	
53	0020229663	Gasket	

## 08b Hydraulic parts

VUW INT IV 246/5-5 R6, VUW INT IV 306/5-5 R6, VUW INT IV 346/5-5 R6



02-08-201.03

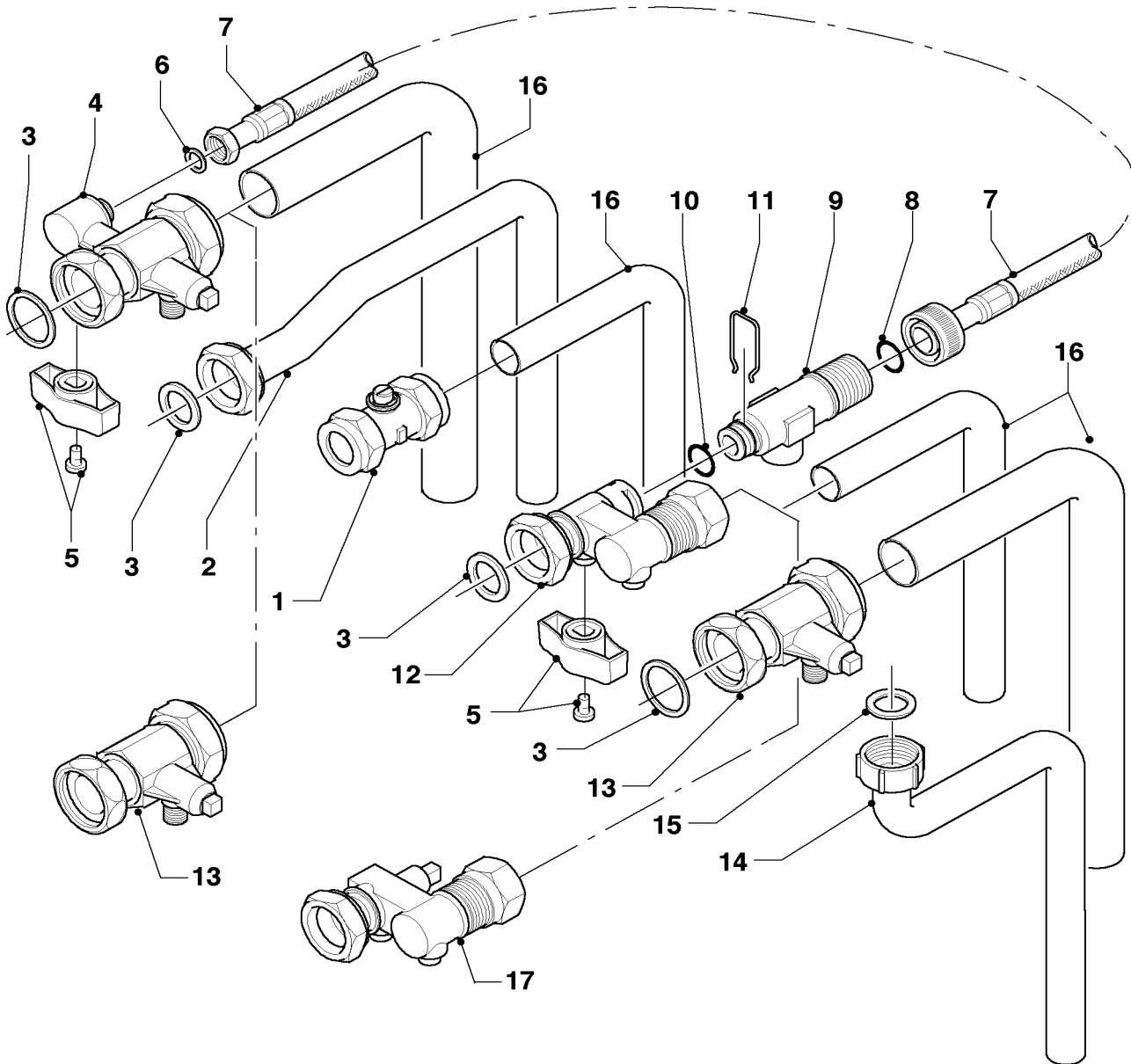
## 08b Hydraulic parts

VUW INT IV 246/5-5 R6, VUW INT IV 306/5-5 R6, VUW INT IV 346/5-5 R6

Pos.	Art.-No Teile-Nr.	Part Bezeichnung	Type, note Typ, Bemerkung
		0208201	
01	181051	Expansion vessel 10 ltr.	
02	0020144598	Support (expansion vessel)	with part 03
03	0020136643	Screw, (PK10)	
04	0020144605	Tube, expansion vessel	with parts 15, 16, 20
05	-	-	not for these appliances
06	0020144608	Adapter	with parts 15, 20
07	0020144606	Pressure gauge	with parts 15, 20
07a	-	-	not for these appliances
08	193592	Sensor NTC (CH flow/CH return)	
09	0020059717	Sensor (water pressure)	with parts 15, 20
10	0020087657	Adapter	with parts 15, 17, 20
11	0020068956	Connection tube (kit)	VUW INT IV 246/5-5 R6, with parts 17, 18
11	0020068956	Connection tube (kit)	VUW INT IV 306/5-5 R6, with parts 17, 18
11	0020068957	Connection tube (kit)	VUW INT IV 346/5-5 R6, with parts 17, 18
12	0020068958	Connection tube	with parts 10, 13, 15, 17, 19, 20
12a	-	-	not for these appliances
12b	-	-	not for these appliances
12c	-	-	not for these appliances
13	103417	Clip, (PK10)	
14	178992	Clip, (PK10)	
15	0020107694	Clip, (PK5)	
16	981149	Sealing ring, (PK10)	
17	103415	O-ring, (PK10)	
18	193537	O-ring, (PK10)	
19	193539	O-ring, (PK10)	
20	178993	O-ring, (PK10)	

### 08c Connection parts (Acc.)

VUW INT IV 246/5-5 R6, VUW INT IV 306/5-5 R6, VUW INT IV 346/5-5 R6



02 - 08 - 125.01

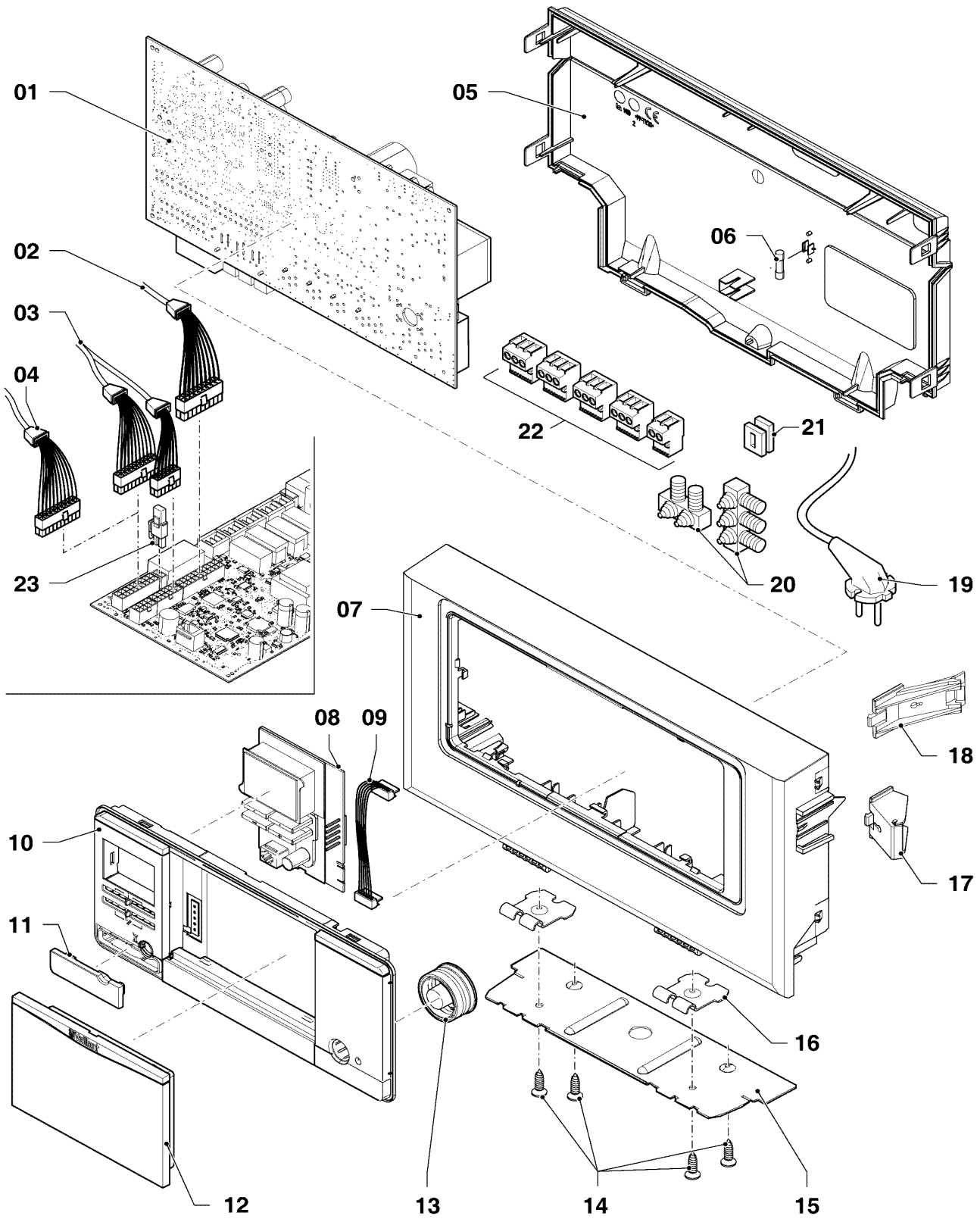
## 08c Connection parts (Acc.)

VUW INT IV 246/5-5 R6, VUW INT IV 306/5-5 R6, VUW INT IV 346/5-5 R6

Pos.	Art.-No Teile-Nr.	Part Bezeichnung	Type, note Typ, Bemerkung
		0208125	
00	022751	Connection tube, G3/4 x 22 (PK2)	not shown, with part 03
01	083437	Compression fitting R3/4 x 15	not shown, for gas connection
02	081445	Connection tube	with part 03
03	981140	Sealing ring, 3/4 (PK10)	
04	-	-	not for these appliances
05	-	-	not for these appliances
06	-	-	not for these appliances
07	-	-	not for these appliances
08	-	-	not for these appliances
09	-	-	not for these appliances
10	-	-	not for these appliances
11	-	-	not for these appliances
12	-	-	not for these appliances
13	0020017772	Service cock left + right	with part 03
14	0020244425	Tube, pressure relief valve (plastic)	with part 15
15	0020010298	Sealing ring (PK10)	
16	-	-	cannot be delivered as spare part
17	014714	Valve	

## 12 Control box

VUW INT IV 246/5-5 R6, VUW INT IV 306/5-5 R6, VUW INT IV 346/5-5 R6



02-12-061.01

## 12 Control box

VUW INT IV 246/5-5 R6, VUW INT IV 306/5-5 R6, VUW INT IV 346/5-5 R6

Pos.	Art.-No Teile-Nr.	Part Bezeichnung	Type, note Typ, Bemerkung
		0212061	
01	0020254533	Printed circuit board	with part 22
02	0020135162	Wiring harness	
03	0020210200	Wiring harness, with coding resistor	VUW INT IV 246/5-5 R6
03	0020210202	Wiring harness, with coding resistor	VUW INT IV 306/5-5 R6
03	0020210204	Wiring harness, with coding resistor	VUW INT IV 346/5-5 R6
04	-	-	not for these appliances
05	0020136635	Casing back	with part 06
06	0020067507	Fuse, 2,0 A T2H (PK10)	
07	0020136631	Casing, front (plus)	with parts 10, 11, 12, 13
08	0020136628	Display	
09	0020136630	Cable, display	
10	-	-	not available as spare part, see pict. no.07
11	0020136640	Cover diagnostic connector	
12	0020136633	Cover control (plus)	
13	0020136642	Button power switch (plus)	
14	0020136643	Screw, (PK10)	
15	0020144613	Support (extension)	VUW INT IV 346/5-5 R6, with part 14
16	0020144611	Support, control box (PK2)	with part 14
17	193583	Support, (PK2)	VUW INT IV 246/5-5 R6
17	193583	Support, (PK2)	VUW INT IV 306/5-5 R6
17	193584	Spacer, (PK2)	VUW INT IV 346/5-5 R6
18	-	-	not for these appliances
19	-	-	not for these appliances
20	078533	Cable fixation	
21	139438	Black plastic filler control box	
22	0020136646	Connector ProE (Set)	
22	733746	Electric plug, Rast 5 3-pole turquoise	turquoise (blue), from installation kit 0020136392
23	0020135126	Throttle jet + gas coding plug (yellow)	for natural gas H
23	0020135128	Throttle jet + gas coding plug (grey)	for liquid gas P